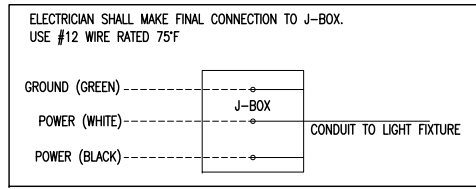
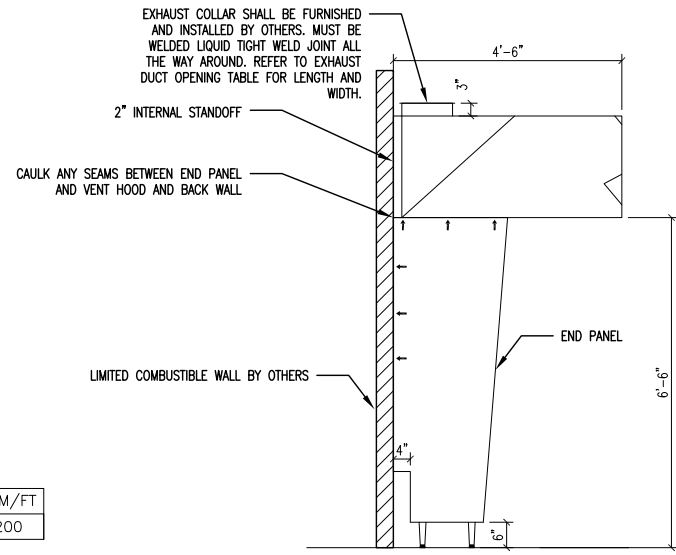
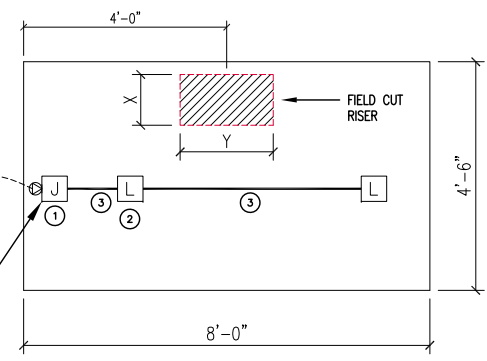


- ① JUNCTION BOX PRE INSTALLED ONTO VENT HOOD USING TACK WELD. HOOD COMES PREWIRED WITH (3) #12 GAUGE UP TO JUNCTION BOXES. ELECTRICIAN SHALL MAKE FINAL CONNECTIONS TO THE J BOX
- ② HOOD SHALL COME WITH VAPOR PROOF INCANDESCENT LIGHT FIXTURES PRE WIRED TO THE J-BOX:  
2 LIGHT FIXTURES FOR 8FT
- ③ PREWIRED RIGID ELECTRICAL CHASE.

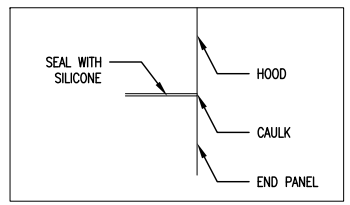
J J-BOX  
L LIGHT FIXTURE AND BULB



JRSPRO SERIES HOODS SHALL COME FURNISHED WITH A COLOR CODED, PREWIRED J-BOX READY FOR FINAL CONNECTION BY THE ELECTRICIAN.



- END-PANEL INSTALLATION:
- 1) UNPACK THE END PANELS FROM THE SHIPPING CONTAINER. USE SILICONE TO MOUNT THE PANEL TO THE HOOD AND BACK SPLASH. SHEET METAL SCREWS FOR SECURING TO THE BACK WALL OR S/S BACK SPLASH IS PROVIDED AND INSTALLED BY OTHERS.
  - 2) END PANELS ARE TO BE INSTALLED ONCE THE HOOD IS MOUNTED ON THE WALL AND IN FINAL POSITION.
  - 3) PLACE THE END PANEL WITH THE TOP FLANGE DIRECTLY UNDERNEATH THE HOODS BOTTOM FLANGE AND KEEP FLUSH TO THE BACK WALL.
  - 4) ATTACH THE END PANEL TOP FLANGE TO THE HOODS BOTTOM FLANGE WITH SILICONE.
  - 5) ATTACH THE BACK OF THE END PANEL TO THE BACK WALL USING SHEET METAL SCREWS (PROVIDED BY OTHERS) ENSURING THAT THE PANEL IS STRAIGHT VERTICALLY
  - 6) CAULK ALL SEAMS WHERE THE END PANEL HAS MADE CONTACT WITH THE HOOD AND BACK WALL.



**HOOD INFORMATION:** JRSPRO8

VENT HOOD LENGTH	A	X	Y	FILTER	QTY	LIGHTS	MAX HEAT	CFM/FT
8'-0"	48"	12"	13"	16X16	6	2	400°F	200

THIS DRAWING AND THE INFORMATION IT PROVIDES IS NOT RE-PRODUCABLE OR USEABLE WITHOUT THE EXPRESS WRITTEN PERMISSION OF JEAN'S RESTAURANT SUPPLY. JEAN'S RESTAURANT SUPPLY IS NOT RESPONSIBLE FOR THE COORDINATION OR REQUIREMENTS OF EQUIPMENT PROVIDED BY OTHERS. THE CONTRACTOR IS RESPONSIBLE FOR FIELD VERIFYING ALL DIMENSIONS AND CONDITIONS. JEAN'S RESTAURANT SUPPLY IS NOT RESPONSIBLE FOR ANY CHANGE ORDERS OR CHARGES INCURRED TO THE CONTRACTOR/OWNER DUE TO DISCREPANCIES BETWEEN THIS DOCUMENT AND NEW OR EXISTING FIELD CONDITIONS. THE USE OF THIS DRAWING BINDS THE CONTRACTOR/OWNER TO THESE CONDITIONS.

VHI

**JRSPRO8 SPEC**

**THE CONTRACTOR IS RESPONSIBLE FOR FIELD VERIFYING ALL MEASUREMENTS.**

JOB NAME: JRSPRO8

DRAWN BY: BEN

DATE: -

SCALE: -



426 S. Staples St. Corpus Christi, TX 78401  
 P: (361)884-9800 F: (361)888-7602 TF: 1-800-840-3610  
 1213 E. Pecan Blvd. McAllen, TX 78501  
 P: (956)688-6290 F: (956)688-6310 TF: 1-866-853-9465  
 www.jeansrestaurantupply.com