

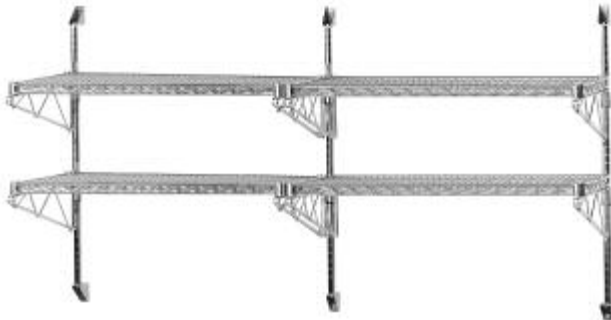


CHROME

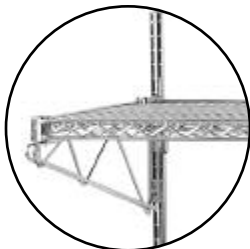
WIRE WALL MOUNT BRACKETS & POSTS

Item #: _____ **Qty #:** _____
Model #: _____
Project #: _____

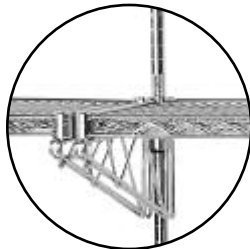
Adjustable 2-Tier Brackets & Posts



(Shelving not included)



End Bracket



Mid Bracket

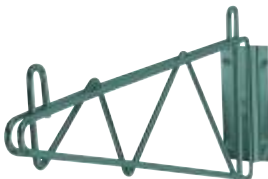
Wall Shelf Mounting Brackets



SB Series Wall Bracket



DB Series Wall Bracket



GB Series Wall Bracket



GDB Series Wall Bracket

FEATURES:

Brackets feature 1/4" diameter wire for stability and strength. NSF approved.

MATERIAL:

SB & DB Series: Chrome plated steel.
 GB & GDB Series: Green Epoxy steel.

CONSTRUCTION:

End mount and Mid-mount Posts attach to wall with mounting hardware (Not Included).

Wall Shelf Brackets attach to wall with mounting hardware. Unit assembles using tapered split sleeves.

ADJUSTABLE 2-TIER SHELVING POSTS

	MODEL #	Size	Weight
END MOUNT	AB2-14	14"	18 lbs.
	AB2-18	18"	19 lbs.
*MID MOUNT	ABM2-14	14"	18 lbs.
	ABM2-18	18"	19 lbs.
Mounting Hardware	EC-50	Includes 2 Mounts Per Pack	

* For Adjoining Shelves

End Mount Posts include 2 - 34" posts, 4 single brackets, collar filler caps and mounting hardware

Mid-Mount Posts include 1 - 34" post, 2 double brackets and mounting hardware



For additional tiers, order larger posts and use **EC-50 Mounting Hardware** for each post

BRACKETS

	Chrome	Green	Size	Wt
SINGLE BRACKET	SB-14*	GB-14*	14"	2 lbs.
	SB-18*	GB-18*	18"	3 lbs.
*DOUBLE BRACKET	DB-14**	GDB-14**	14"	3 lbs.
	DB-18**	GDB-18**	18"	4 lbs.

** Includes 2 Brackets

**For Adjoining Shelves



Customer Service Available To Assist You **1-800-645-3166** 8:30 am - 8:00 pm E.S.T.

Email Orders To: customer@advancetabco.com. For Smart Fabrication™ Quotes, Email To: smartfab@advancetabco.com or Fax To: 631-586-2933

NEW YORK
 Fax: (631) 242-6900

GEORGIA
 Fax: (770) 775-5625

TEXAS
 Fax: (972) 932-4795

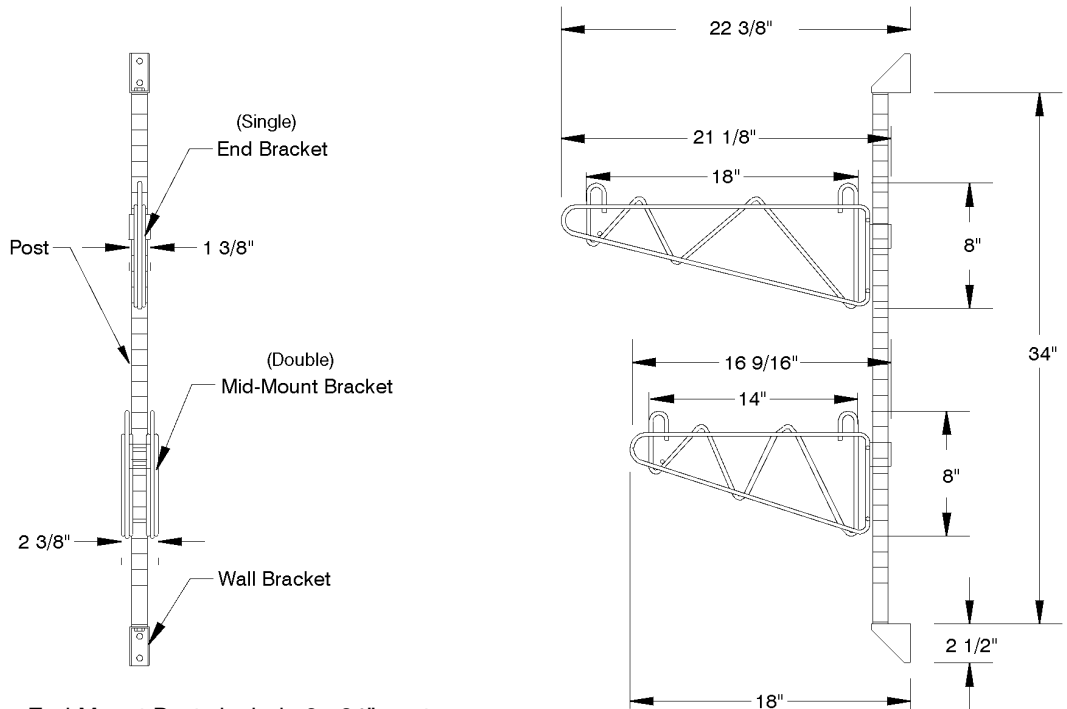
NEVADA
 Fax: (775) 972-1578

DETAILS and SPECIFICATIONS

TOL ± .500"

ALL DIMENSIONS ARE TYPICAL

ADJUSTABLE 2-TIER BRACKETS & POSTS



End Mount Posts include 2 - 34" posts and 4 single brackets

Mid-Mount Posts include 1 - 34" post and 2 double brackets

WALL SHELF MOUNTING BRACKETS

