

STAINLESS STEEL
DISHTABLES
CLEAN STRAIGHT
DTC70 Series



Tile Edge Design



DTC-S70-36R Shown

FEATURES:

Tile edge for ease of installation.
 Dishtable system consists of SOIL and CLEAN sections.
 Table is furnished with 10-1/2" splash with a 2" return.

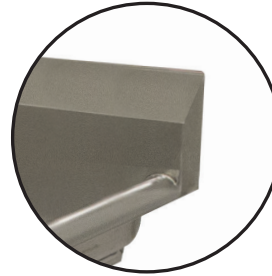
MATERIAL:

16 ga. 304 Series Stainless Steel Top.
 16 ga. 304 Stainless Steel Legs Stainless Steel Legs
 with Welded Cross Bracing & Stainless Steel Bullet Feet.

CONSTRUCTION:

All TIG welded.
 Welded areas blended to match adjacent surfaces and to a satin finish.
 Stainless Steel Gussets welded to a stainless steel support channel.

**10-1/2" Backsplash
 with Turndown and
 includes Wall Clips**



16 Gauge 304
 Stainless Steel Legs

"L"	STANDARD	Approx. Wt.
24"	DTC-S70-24L or R-X	35 lbs.
36"	DTC-S70-36L or R-X	45 lbs.
48"	DTC-S70-48L or R-X	60 lbs.
60"	DTC-S70-60L or R-X	70 lbs.
72"	DTC-S70-72L or R-X	85 lbs.
84"	DTC-S70-84L or R-X	100 lbs.
96"	DTC-S70-96L or R-X	110 lbs.

ACCESSORIES	Model #	Qty
Faucet		
Wall Shelf		
Undershelf		

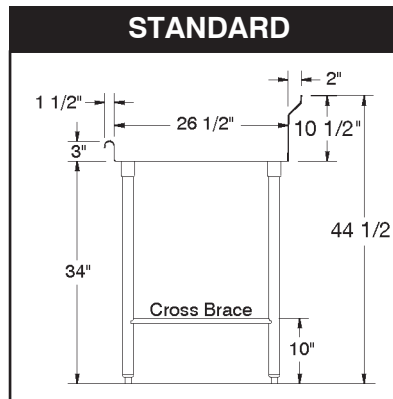
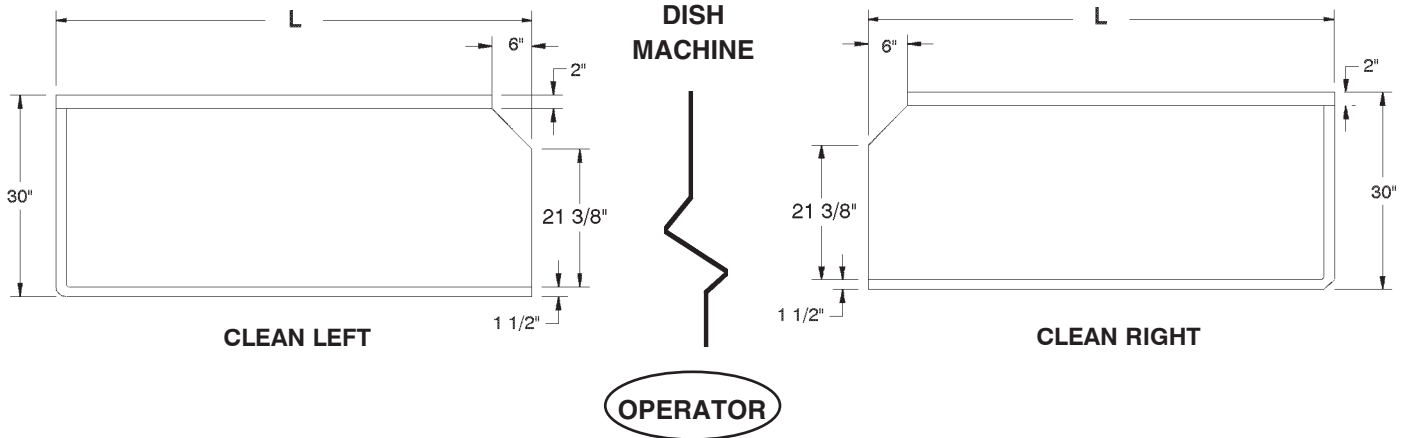
DIMENSIONS and SPECIFICATIONS

TOL ± .500"

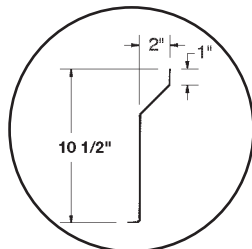
ALL DIMENSIONS ARE TYPICAL

SEE DISH MACHINE COMPATIBILITY CHART TO ENSURE PROPER FIT

Dish Machine Compatibility Chart can be found on our website at www.advancetabco.com under "Product Support"



Splash Detail



Description	STANDARD
Material	16 Ga. 304 Series
1 5/8" Dia. Legs	Stainless Steel
Gussets	Stainless Steel
Bullet Feet (1" adj.)	Stainless Steel
Cross Bracing	Welded

