



STAINLESS STEEL EQUIPMENT STANDS

Item #: _____ Qty #: _____
 Model #: _____
 Project #: _____

FEATURES: (as it applies)

TOP is furnished with 1" hemmed edge turned up at both sides; 1" turn up at rear.

Aluminum die cast "leg to shelf" clamp secures shelf to leg eliminating unsightly nuts and bolts.

Undershelf is adjustable.

CONSTRUCTION:

All TIG welded. Exposed weld areas finished to match adjacent surfaces.

Entire Top is mechanically polished to a satin finish and is sound deadened.

Roll formed embossed galvanized hat channels are secured to top by means of structural adhesive and weld studs.

Gussets welded to support hat sections.

MATERIAL:

ES-Series Stainless Steel Base

TOP is 14 gauge stainless steel type "304" series with galvanized understructure.

SHELF is 18 gauge stainless steel.

LEGS are 1 5/8" diameter heavy gauge tubular stainless steel with stainless steel gussets and 1" adjustable stainless steel bullet feet.

EG-Series Galvanized Base

TOP is 14 gauge stainless steel type "304" series with galvanized understructure.

SHELF is 18 gauge galvanized steel.

LEGS are 1 5/8" diameter tubular galvanized steel with galvanized steel gussets and 1" adjustable plastic bullet feet.

LEGS WITH CASTERS ("C" Series) are 1 5/8" diameter tubular galvanized steel with galvanized steel gussets and TA-255 Heavy Duty Urethane Casters.

OPTIONAL:

Laminated Hardwood Cutting Board is secured to stainless steel channels. Channels are welded to a stainless steel one-piece L-shaped tubular support which in turn is welded to a stainless steel sliding collar for height adjustments.

18 Gauge stainless steel Plate Shelf secured to stainless steel gusset and attached to stainless steel sliding collar for height adjustment.

2" thick stainless steel cutting surface welded to a stainless steel one-piece L-shaped tubular support which in turn is welded to a stainless steel sliding collar for height adjustments.



	L	24" Wide	Wt.	30" Wide	Wt.	30" Wide w/Casters	Wt.
STAINLESS STEEL	24"	ES-242	45 lbs.	ES-302	51 lbs.	ES-302C	66 lbs.
	36"	ES-243	60 lbs.	ES-303	68 lbs.	ES-303C	83 lbs.
	48"	ES-244	77 lbs.	ES-304	85 lbs.	ES-304C	100 lbs.
	60"	ES-245	86 lbs.	ES-305	102 lbs.	ES-305C	117 lbs.
	72"	ES-246	104 lbs.	ES-306	119 lbs.	ES-306C	134 lbs.
	84"	ES-247	112 lbs.	ES-307	142 lbs.	-	-
	96"	ES-248	137 lbs.	ES-308	164 lbs.	-	-
GALVANIZED	24"	EG-242	45 lbs.	EG-302	51 lbs.	-	-
	36"	EG-243	60 lbs.	EG-303	68 lbs.	-	-
	48"	EG-244	77 lbs.	EG-304	85 lbs.	-	-
	60"	EG-245	86 lbs.	EG-305	102 lbs.	-	-
	72"	EG-246	104 lbs.	EG-306	119 lbs.	-	-
	84"	EG-247	112 lbs.	EG-307	142 lbs.	-	-
	96"	EG-248	137 lbs.	EG-308	164 lbs.	-	-

OPTIONAL ACCESSORIES*

1 1/2" WOOD CUTTING BOARD			PLATE SHELF	
L	24" Wide	Wt.	24" Wide	Wt.
24"	TA-922	28 lbs.	TA-962	22 lbs.
36"	TA-923	30 lbs.	TA-963	24 lbs.
48"	TA-924	34 lbs.	TA-964	27 lbs.
60"	TA-925	37 lbs.	TA-965	31 lbs.
72"	TA-926	40 lbs.	TA-966	40 lbs.
84"	TA-927	56 lbs.	TA-967	50 lbs.
96"	TA-928	64 lbs.	TA-968	57 lbs.

*Wood Cutting Board, Stainless Steel Cutting Surface & Plate Shelf Are Adjustable



HEAVY DUTY CASTERS
 Available on 2' - 6'
 ES Series Equipment Stands



Featuring as Standard:
"THE PROVEN"
 Original Advance Tabco
 Adjustable Undershelf w/
 Die Cast Leg Clamp



Customer Service Available To Assist You **1-800-645-3166** 8:30 am - 7:00 pm E.S.T.

For Orders & Customer Service:
 Email: customer@advancetabco.com or Fax: 631-242-6900

For Smart Fabrication™ Quotes:
 Email: smartfab@advancetabco.com or Fax: 631-586-2933

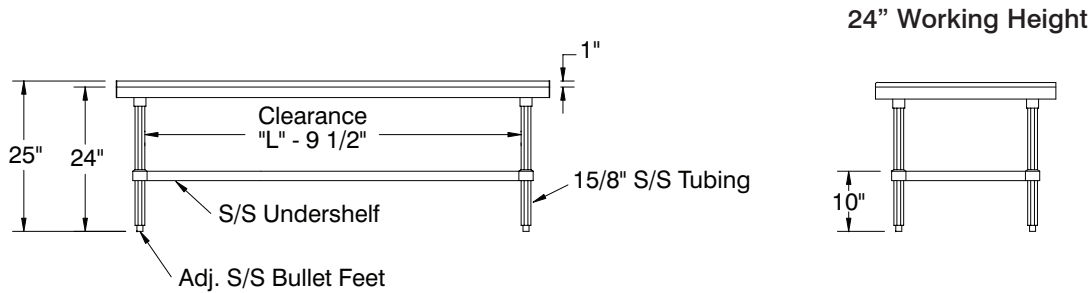
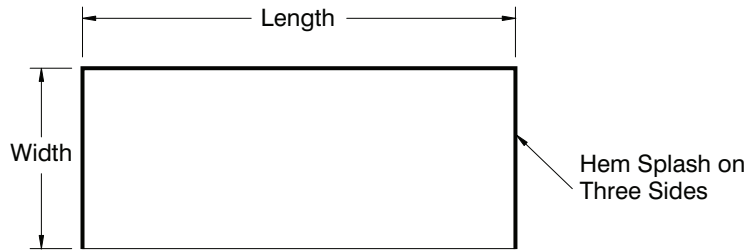
DETAILS and SPECIFICATIONS

TOL ± .500"

ALL DIMENSIONS ARE TYPICAL

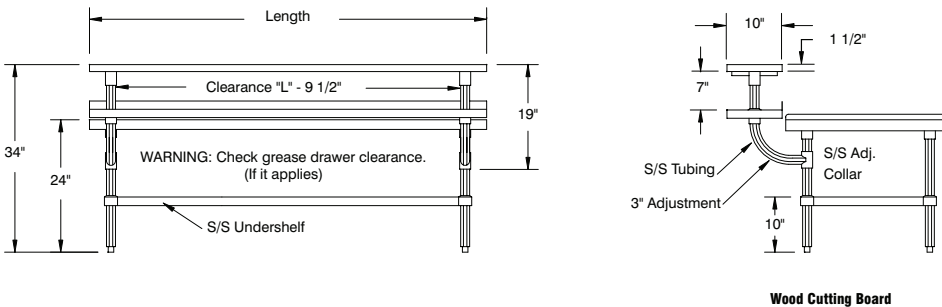
7 ft. units and longer are furnished with six (6) legs.

Maximum Total Load = 1000 lbs.



with Plate Shelf & Wood Cutting Surface

Maximum Load Weight for Plate Shelf is 25 lbs.



Mobile Unit

Optional X.H.D. Casters

- TA-255 Set of 4
- TA-256 Set of 6
- Each Set supplied with 2 brakes.

