



STAINLESS STEEL  
**REGALINE SINKS**  
 Three Compartments - One Drainboard  
 (Specify Drainboard Location)



**93 & 9 SERIES**  
Adjustable Side  
Cross-Bracing

**YES! It's SeaLess!**



Item #: \_\_\_\_\_ Qty #: \_\_\_\_\_  
 Model #: \_\_\_\_\_  
 Project #: \_\_\_\_\_



**94 SERIES**  
Adjustable Side &  
Front Cross-Bracing



93 & 9 Series Adjustable  
Side Cross-Bracing



94 Series Adjustable  
Side & Front Cross-Bracing



Recessed Bowl Surface  
Accommodates Poly-Vance  
Cutting Boards & Sink Covers

**FEATURES:**

Tile edge for ease of installation.

One piece **Deep Drawn** sink bowls with integral drainboards with splash.

All sink bowls have a large liberal 3" radius.

"94" Series is supplied with adjustable front and side cross braces featuring leg clamps.

"93" & "9" Series is supplied with adjustable side cross braces featuring leg clamps.

**CONSTRUCTION:**

All TIG welded.

Welded areas blended to match adjacent surfaces and to a satin finish.

**MATERIALS:**

**Spec-Line (94 Series):** 14 gauge type 304 stainless steel  
11" High Splash.

**Standard (93 Series):** 16 gauge type 304 stainless steel  
8" High Splash.

**Super Saver (9 Series):** 18 gauge type 304 stainless steel  
8" High Splash.

- LEGS:**
- 1 5/8" diameter tubular stainless steel.
  - Stainless steel gussets.
  - Stainless Steel 1" adjustable bullet feet.

Bowl Size	O.A. Length	DRBD. Size	SPEC-LINE 94 Series		STANDARD 93 Series		SUPER SAVER 9 Series		Cu. Ft.
			Model #	WT.	Model #	WT.	Model #	WT.	
16" x 20"	77"	18"	<b>14 Ga. 304 S/S</b> 14" Water Level		<b>16 Ga. 304 S/S</b> 12" Water Level		<b>18 Ga. 304 S/S</b> 12" Water Level		
	83"	24"	94-3-54-18R or L	214 lbs.	93-3-54-18R or L	173 lbs.	9-3-54-18R or L	167 lbs.	42
	83"	24"	94-3-54-24R or L	222 lbs.	93-3-54-24R or L	188 lbs.	9-3-54-24R or L	177 lbs.	45
20" x 20"	95"	36"*	94-3-54-36R or L	243 lbs.	93-3-54-36R or L	220 lbs.	9-3-54-36R or L	190 lbs.	51
	89"	18"	94-23-60-18R or L	234 lbs.	93-23-60-18R or L	207 lbs.	9-23-60-18R or L	184 lbs.	52
	95"	24"	94-23-60-24R or L	245 lbs.	93-23-60-24R or L	205 lbs.	9-23-60-24R or L	193 lbs.	55
18" x 24"	107"	36"*	94-23-60-36R or L	252 lbs.	93-23-60-36R or L	216 lbs.	9-23-60-36R or L	208 lbs.	60
	83"	18"	N/A	-	93-63-54-18R or L	271 lbs.	9-63-54-18R or L	255 lbs.	54
	89"	24"	N/A	-	93-63-54-24R or L	281 lbs.	9-63-54-24R or L	269 lbs.	58
24" x 24"	101"	36"*	N/A	-	93-63-54-36R or L	300 lbs.	9-63-54-36R or L	287 lbs.	65
	107"	24"	94-43-72-24R or L	342 lbs.	93-43-72-24R or L	312 lbs.	9-43-72-24R or L	298 lbs.	68
	119"	36"*	94-43-72-36R or L	365 lbs.	93-43-72-36R or L	339 lbs.	9-43-72-36R or L	320 lbs.	96
20" x 28"	89"	18"	94-83-60-18R or L	281 lbs.	93-83-60-18R or L	232 lbs.	9-83-60-18R or L	225 lbs.	79
	95"	24"	94-83-60-24R or L	296 lbs.	93-83-60-24R or L	273 lbs.	9-83-60-24R or L	268 lbs.	86
	107"	36"*	94-83-60-36R or L	308 lbs.	93-83-60-36R or L	287 lbs.	9-83-60-36R or L	277 lbs.	89
* Regalines with 36" Drainboards are Supplied with Two Additional Legs (per drainboard) for Support.			14" Water Level		12" Water Level		12" Water Level		
† Requires Two Faucets			18" Flood Level		16" Flood Level		16" Flood Level		

*Weights & Cubes Are Approximate*

**Customer Service Available To Assist You 1-800-645-3166 8:30 am - 7:00 pm E.S.T.**

For Orders & Customer Service: Email: customer@advancetabco.com or Fax: 631-242-6900

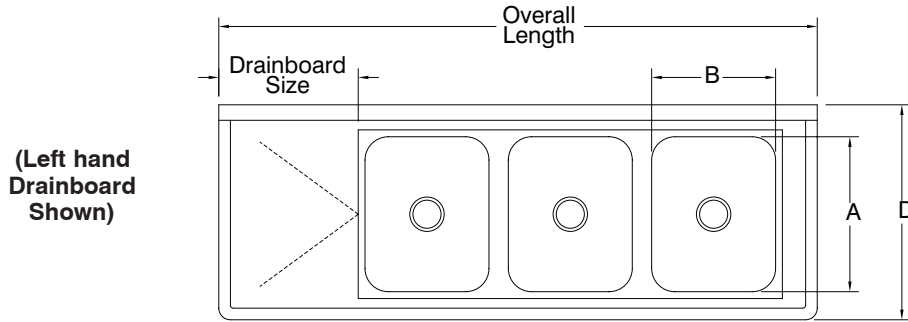
For Smart Fabrication™ Quotes: Email: smartfab@advancetabco.com or Fax: 631-586-2933

# DIMENSIONS and SPECIFICATIONS

TOL Overall: ± .500"  
Interior: ± .250"

ALL DIMENSIONS ARE TYPICAL

(SPECIFY DRAINBOARD LOCATION)



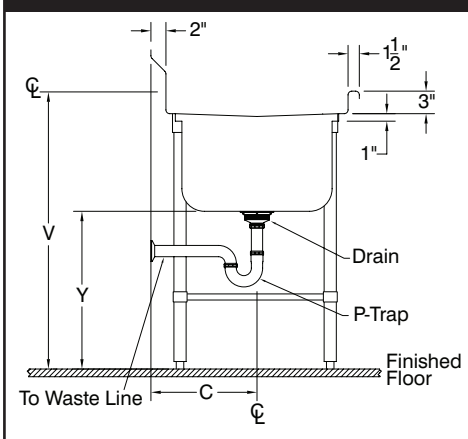
## DESCRIPTION

BOWL SIZE	Overall Length	DRBD SIZE	Recommended Use	A	B	C	D	94 SERIES					9 & 93 SERIES				
								V	W	X	Y	Z	V	W	X	Y	Z
16"x20"	77"	18"	DISH SINKS	20"	16"	14 1/8"	28"	38"	11"	14"	19"	45"	38"	8"	12"	21"	42"
	83"	24"															
	95"	*36"															
20"x20"	89"	18"	DISH & POT SINKS	20"	20"	14 1/8"	28"	38"	11"	14"	19"	45"	38"	8"	12"	21"	42"
	95"	24"															
	107"	*36"															
18"x24"	83"	18"	POT & PAN SINKS	24"	18"	16 1/8"	32"	38"	11"	14"	19"	45"	38"	8"	12"	21"	42"
	89"	24"															
	101"	*36"															
24"x24"	†107"	24"	POT SINKS	24"	24"	16 1/8"	32"	38"	11"	14"	19"	45"	38"	8"	12"	21"	42"
	†119"	*36"															
20"x28"	89"	18"	PAN SINKS	28"	20"	18 1/8"	36"	38"	11"	14"	19"	45"	38"	8"	12"	21"	42"
	95"	24"															
	107"	*36"															

† Requires Two Faucets.

\* Regalines with 36" Drainboards are Supplied with Two Additional Legs (per drainboard) for Support.

## PLUMBING ROUGH-IN



## MECHANICAL:

- Supply is 1/2" IPS hot & cold.
- Faucet holes on 8" centers.
- Faucets are not included (see accessories).
- Waste drains are 1 1/2" IPS S/S basket type, located in center of sink bowl, and are included.



## SECTION

