



**PATENT
PENDING**

Item #: _____ Qty #: _____
 Model #: _____
 Project #: _____




Shown With
3 Tier Drawer Set Up



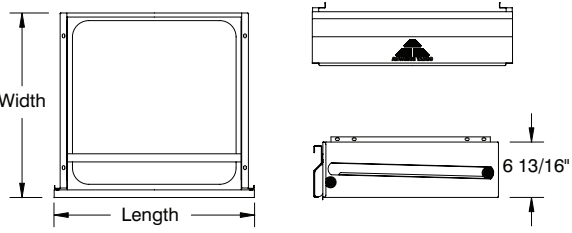
Revolutionary New SHD Series Drawer with Integral Drawer Slides

- Stainless Steel Front & Sides
- Self Closing Drawer with Noise Control
- Drawer "Safety Stop" Tab
- Removable Stainless Steel Insert
- Units Can Be Stacked to Create Multiple Tier Drawers
- Hardware Included
- NSF Approved

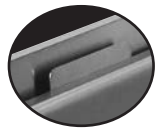


MODEL #	Length	Width	Insert
SHD-2015	24 5/8"	17 1/2"	20" x 15" x 5"
SHD-2020	24 5/8"	23 1/8"	20" x 20" x 5"
SHD-1520	19 1/8"	23 1/8"	15" x 20" x 5"

**NOTE: The Following Drawers will Not fit on 24" Tables:
SHD-1520, SHD-2020**



**Drawers Stack with Ease
to Create Tier Drawers!**
Easily installs in field



Features a
"Safety Stop" Tab

OPTIONAL CONCEALED SIDE PANELS For 20"x20" Drawers (1 for needed each side)



- 1 Tier Drawer: TA-SHD-1 each side
- 2 Tier Drawers: TA-SHD-2 each side
- 3 Tier Drawers: TA-SHD-3 each side

To Modify Side Panel To Fit 20" x 15" Drawer Add **TA-2 ea.**

SHD SERIES MODIFICATIONS & ACCESSORIES

- Drawer Lock TA-14SHD
- Pad Lock Hasp..... TA-13
- Poly Board Storage Brackets
For SHD Drawers TA-97SHD
- 5/8" Thick Poly Board Cutting Boards
For SHD Drawers..... TA-41SHD ea.



TA-97SHD Polyboard Storage Bracket
(Installs in field. Hardware Included)



Rear View of Multiple Stacked Drawers
Drawer Seam Exposed



Customer Service Available To Assist You **1-800-645-3166** 8:30 am - 7:00 pm E.S.T.

Email Orders To: customer@advancetabco.com. For Smart Fabrication™ Quotes, Email To: smartfab@advancetabco.com or Fax To: 631-586-2933

NEW YORK
Fax: (631) 242-6900

GEORGIA
Fax: (770) 775-5625

TEXAS
Fax: (972) 932-4795

NEVADA
Fax: (775) 972-1578