



DANTE SERIES STANDARD-PROFILE COUNTERTOP CHARBROILERS

SERIES: C-RS



Bakers Pride® C-RS series charbroilers feature a standard-profile design and 15,000 BTU burners for energy efficiency and broiling performance. Models come in a range of sizes from 24" to 72" wide. Stainless steel radiants come standard, as do steel floating rod grates, which may be adjusted in four separate titling positions for increased flexibility and temperature control.

A continuously lit, cross-over pilot tube system makes lighting burners quick and easy. Fully insulated, double walls help with heat retention, while stainless steel interior and exterior construction makes this charbroiler both durable and easy to clean.

This series also offers many options to suit your needs, such as log holders or Glo-Stones for enhanced flavor and work decks for added convenience.

FEATURES AT A GLANCE

- C-RS Radiant - V-shaped radiant for each burner
- C-RS Glo-Stones - Ceramic coal screen
- Burners are controlled with a single valve
- Natural gas or liquid propane
- Steel floating rod grates (standard) or cast-iron or meat grates
- Continuously lit crossover pilot tube
- Double-walled, fully insulated construction
- Stainless steel exterior, interior, and combustion chamber
- Stainless steel radiants
- 3/4" NPT rear gas connection
- Towel bar
- One-year limited warranty

OPTIONS & ACCESSORIES

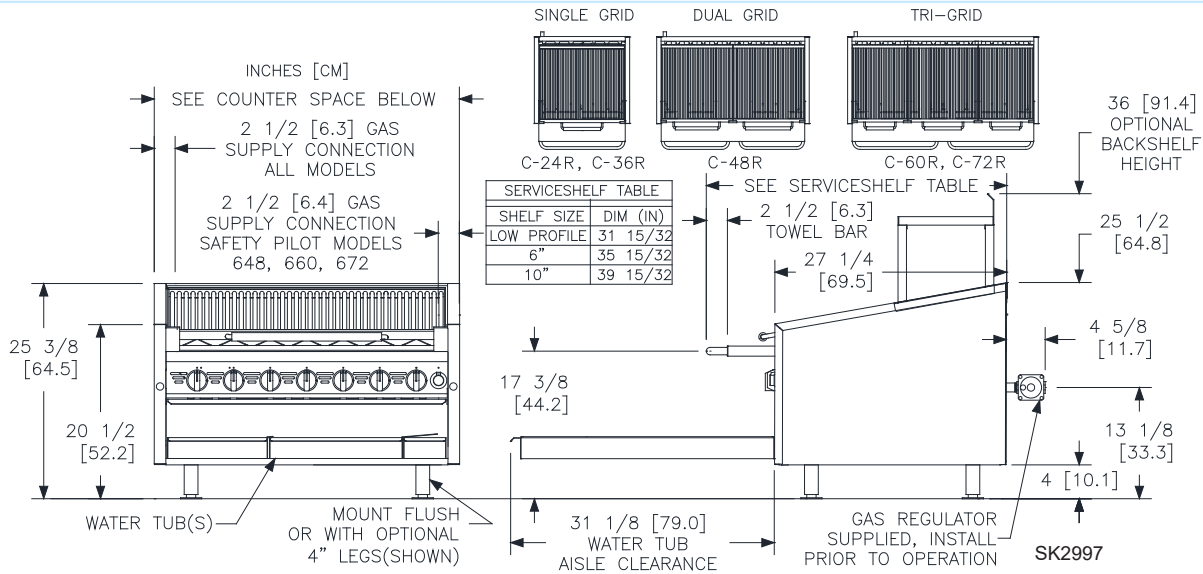
- Cast-iron radiants
- Glo-Stones
- Natural woodsmoke essence box
- Cut-outs in 10" work deck
- Gas connector hose
- Stainless steel splash guard
- Overhead back shelves
- Warming rack
- 10" work deck
- Stand with casters
- High output burners



DANTE SERIES STANDARD-PROFILE COUNTERTOP CHARBROILERS

SERIES: C-RS

EQUIPMENT DIMENSIONS



MECHANICAL SPECIFICATIONS

Model No.	BTU STANDARD/HIGH OUTPUT	KW STANDARD/HIGH OUTPUT	# Grids	# Burners	Broiling Area in ² (cm ²)	Counter Space (W x D)	Cubic Feet	Ship Wt.
C-24RS	60,000/ 80,000	17.6/ 23.4	1	4	513 in ² (3,314 cm ²)	24" x 35.5" (610mm x 902mm)	21.6 ft ³ (0.6m ³)	412 lbs. (186.9kg)
C-36RS	105,000/ 140,000	30.8/ 41.0	1	7	810 in ² (5,233 cm ²)	36" x 35.5" (915mm x 902mm)	21.6 ft ³ (0.6m ³)	601 lbs (272.6kg)
C-48RS	150,000/ 200,000	44.0/ 58.6	2	10	1,107 in ² (7,145 cm ²)	48" x 35.5" (1,219mm x 902mm)	35.9 ft ³ (1.0m ³)	668 lbs. (303kg)
C-60RS	195,000/ 260,000	57.2/ 76.2	3	13	1,404 in ² (9,063 cm ²)	60" x 35.5" (1,524mm x 902mm)	35.9 ft ³ (1.0m ³)	912 lbs. (413.7kg)
C-72RS	240,000/ 320,000	70.0/ 94.1	3	16	1,704 in ² (11,001 cm ²)	72" x 35.5" (1,829mm x 902mm)	43.1 ft ³ (1.2m ³)	1,078 lbs. (489kg)

*Height includes 4" adjustable (102 mm) legs.

REQUIRED CLEARANCES

	Non-Combustible
Left	0" (0 mm)
Right	0" (0 mm)
Back	0" (0 mm)

GAS CONNECTIONS

Non-Combustible	Natural or LP gas
Left	3/4" NPT on Standard Units
Right	1/2" NPT on Safety Pilot Units

Bakers Pride reserves the right to modify specifications or discontinue models without incurring obligation. Dimensions nominal.



Freight Class: 70
FOB: Smithville 37166

