

# 1.5Gal(5.7L) GPR-FF Srvr

9.8" x 12.7" x 6.7"  
(24.9cm x 32.3cm x 17.0cm)

- 1 1/2 gal (5.7L) capacity
- Top handles allow for easy placement on warmer stations



Agency:



## Specifications

**Product #:** 20950.0004

**Finish:** Stainless

**Handle:** Top Handle

## Additional Features

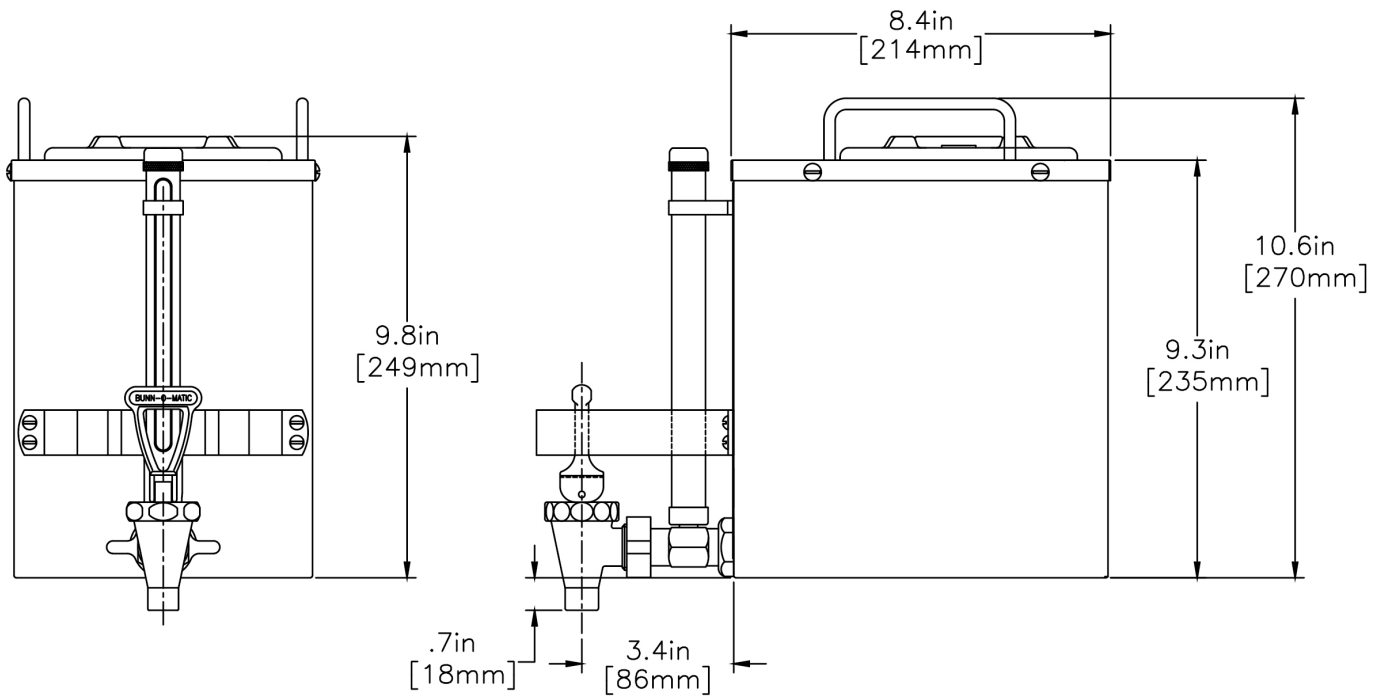
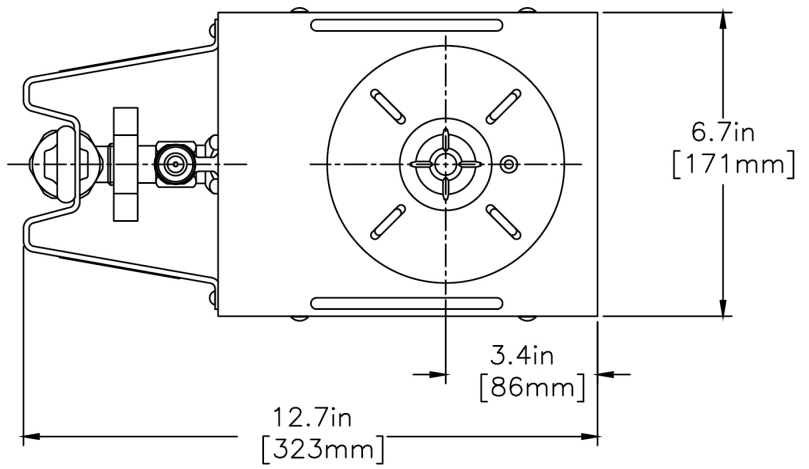
## Holding Capacity

English	Metric
192 oz.	5.7 L



BUNN® reserves the right to change specifications and product design without notice. Such revisions do not entitle the buyer to corresponding changes, improvements, additions or replacements for previously purchased equipment. For most current specifications and other info visit [bunn.com](http://bunn.com).

Created on:  
09/14/2017



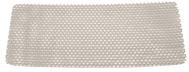
	Unit			Shipping				
	Width	Height	Depth	Width	Height	Depth	Weight	Volume
English	6.7 in.	9.8 in.	12.7 in.	-	-	-	9.250 lbs	0.884 ft <sup>3</sup>
Metric	17.0 cm	24.9 cm	32.3 cm	-	-	-	4.196 kgs	0.025 m <sup>3</sup>



BUNN® reserves the right to change specifications and product design without notice. Such revisions do not entitle the buyer to corresponding changes, improvements, additions or replacements for previously purchased equipment. For most current specifications and other info visit [bunn.com](http://bunn.com).

Created on:  
09/14/2017

## Related Products & Accessories: 1.5Gal(5.7L) GPR-FF Srvr(20950.0004)



COVER, DRIP PAN

Product #: 03229.0000



RWS1, 120V

Product #: 12203.0010



PARRILLA

Product #: 12203.0010



RWS1B, 100V

Product #: 12203.0012



RWS1, 120V-SATIN NKL  
LEGS

Product #: 12203.0014



STOVE,RWS1  
120V/100W W/EXT LEGS

Product #: 12203.6001



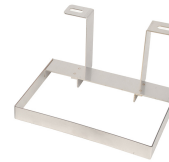
DRIP TRAY KIT,RWS1

Product #: 20213.0103



DRIP TRAY

Product #: 20213.0200



BRACKET WLDMT, DRIP  
TRAY RWS1

Product #: 20213.0301



BUNN® reserves the right to change specifications and product design without notice. Such revisions do not entitle the buyer to corresponding changes, improvements, additions or replacements for previously purchased equipment. For most current specifications and other info visit [bunn.com](http://bunn.com).

Created on:  
09/14/2017

# Model Compatibility: 1.5Gal(5.7L) GPR-FF Srvr(20950.0004)

NO IMAGE  
AVAILABLE

DUAL, 120/208V 1S MECH  
PF

Product #:20900.0008



DUAL, 120/208V 3S MECH  
SF

Product #:20900.0010



DUAL, 120/240V 3S MECH  
SF

Product #:20900.0011



CAFETERA

Product #:20900.0011

NO IMAGE  
AVAILABLE

DUAL, 120/240V 3S MECH  
SF LWR FCT

Product #:20900.0088



SINGLE, 120V 3S MECH  
SF

Product #:23050.0007



SINGLE, 120/208V 3S  
MECH SF

Product #:23050.0010



SINGLE, 120/240V 3S  
MECH SF

Product #:23050.0011



CAFETERA

Product #:23050.0011

NO IMAGE  
AVAILABLE

SINGLE, 120V 3S MECH  
SF LWR FCT

Product #:23050.0088

NO IMAGE  
AVAILABLE

SINGLE, 120/240V 3S  
MECH SF LWR FCT

Product #:23050.0089



DUAL GPR  
DBC, 120/208-240V LF

Product #:35900.0010



CAFETERA

Product #:35900.0010



SINGLE GPR DBC DV  
120/208-240V

Product #:36100.0010



SINGLE AXIOM 15, 1G/3.8L  
1LWR

Product #:38700.0043



SINGLE AXIOM 35, 1G/3.8L  
1LWR

Product #:38700.0045



BUNN® reserves the right to change specifications and product design without notice. Such revisions do not entitle the buyer to corresponding changes, improvements, additions or replacements for previously purchased equipment. For most current specifications and other info visit [bunn.com](http://bunn.com).

Created on:  
09/14/2017