

HL1, HL2, HL3, HL4 & HLM1 Series ALUMINUM HEATED HOLDING CABINETS & HEATER PROOFERS

OWNERS / OPERATORS MANUAL



MANUFACTURED BY:

CARTER-HOFFMANN
 1551 McCormick Avenue
 Mundelein, IL 60060 U.S.A.

Phone: 847-362-5500
 Fax: 847-367-8981
 Toll Free: 800-323-9793

Email: technicalservice@carter-hoffmann.com



HL2-18

<p>HL1 HEATED CABINETS (non-insulated)</p> <p>Models: HL1-5, HL1-8, HL1-14 & HL1-18</p> <p>Formerly models: HBU5A2GM HBU8A2GM HBU14A2GM HBU18A2GM HBC10A2GM HBC16A2GM HBC28A2GM HBC36A2GM HBF5A2GM HBF8A2GM HBF14A2GM HBF18A2GM</p>	<p>HL2 HEATER/ PROOFERS (non-insulated)</p> <p>Models: HL2-5, HL2-8, HL2-14 & HL2-18</p> <p>Formerly models: HWU5A2GM HWU8A2GM HWU14A2GM HWU18A2GM HWC10A2GM HWC16A2GM HWC28A2GM HWC36A2GM HWF5A2GM HWF8A2GM HWF14A2GM HWF18A2GM</p>	<p>HL3 HEATED CABINETS (insulated)</p> <p>Models: HL3-5, HL3-8, HL3-14, HL3-18</p> <p>Formerly models: HBU5A1GM HBU8A1GM HBU14A1GM HBU18A1GM HBC10A1GM HBC16A1GM HBC28A1GM HBC36A1GM HBF5A1GM HBF8A1GM HBF14A1GM HBF18A1GM</p>	<p>HL4 HEATER/ PROOFERS (insulated)</p> <p>Models: HL4-5, HL4-8, HL4-14, HL4-18</p> <p>Formerly models: HWU5A1GM HWU8A1GM HWU14A1GM HWU18A1GM HWC10A1GM HWC16A1GM HWC28A1GM HWC36A1GM HWF5A1GM HWF8A1GM HWF14A1GM HWF18A1GM</p>
<p>HLM1 HEATED CABINETS (non-insulated) Models: HLM1-14 , HLM1-18</p>			

TABLE OF CONTENTS

SAFETY PRECAUTIONS.....	2
FEATURES & SPECIFICATIONS.....	3-7
UNPACKING, INSPECTION & FREIGHT DAMAGE.....	8
INSTALLATION & STARTUP	9
DETAILS: CONTROLS AND WATER PANS.....	10
NORMAL OPERATION: HL1, HL3 & HLM1 HEATED CABINETS.....	11
NORMAL OPERATION: HL2 & HL4 HEATER PROOFERS	12
FOOD HOLDING GUIDE.....	13
DAILY CLEANING PROCEDURES.....	14
CABINET MAINTENANCE.....	15
WIRING DIAGRAMS.....	16
REPLACEMENT PARTS.....	17
TROUBLESHOOTING GUIDE	18
WARRANTY STATEMENT.....	19
MANUEL D'INSTRUCTION EN FRANCAIS.....	20-37

SAFETY PRECAUTIONS



WARNING: ELECTRIC SHOCK HAZARD

All service requiring access to non-insulated components must be performed by qualified service personnel. Failure to heed this warning may result in severe electric shock.



CAUTION: ELECTRIC SHOCK HAZARD

Disconnect this appliance from electrical power before performing any maintenance or service.



CAUTION: BURN HAZARD

Exposed metal surfaces can be hot to the touch and may cause burns.

IMPORTANT SAFETY INSTRUCTIONS

When using electrical appliances basic safety precautions should be followed, including the following:

- 1) Be familiar with the appliance use, limitations and associated restrictions. Operating instructions must be read and understood by all persons using or installing this appliance.
- 2) This appliance must be grounded. Connect only to properly grounded outlet.
- 3) Use this appliance only for its intended purpose as described in the manual.
 - a. This equipment is specifically designed to hold pre-cooked food at temperature.
 - b. This equipment is intended for use in commercial establishments only.
 - c. This equipment is not designed for industrial or laboratory use.
- 4) Cleanliness of this appliance and its accessories is essential to good sanitation.
- 5) DO NOT submerge this appliance in water. This appliance is not jet stream approved. DO NOT direct water jet or steam jet at this appliance, or at any control panel or wiring. DO NOT splash or pour water on, in or over any controls, control panel or wiring. DO NOT use corrosive chemicals or vapors in this appliance.
- 6) DO NOT store this appliance outdoors. DO NOT use this product near water – for example, near a kitchen sink, in a wet basement, or near a swimming pool, and the like.
- 7) DO NOT operate this appliance if it has a damaged cord or plug, if it is not working properly, or if it has been damaged or dropped. Do not immerse cord or plug in water, keep cord away from heated surfaces, and do not let cord hang over edge of table or counter.
- 8) DO NOT cover or block any openings on the appliance.
- 9) **Only qualified service personnel should service this appliance.**

NOTE: The technical content of this manual, including any wiring diagrams, schematics, parts breakdown illustrations and/or adjustment procedures, is **intended for use by qualified technical personnel** and is subject to change without notice.

HL1 NON-INSULATED ALUMINUM HEATED CABINET FEATURES & SPECIFICATIONS



HL1 Features & Benefits

- Precision-engineered bottom mount heater with superior heat-up and recovery time
- Analog heat control. Digital thermometer. Temperature range of 90°- 190°F
- Four sizes, available with adjustable universal, fixed universal or adjustable universal slides
- All swivel heavy-duty casters, front casters fitted with brakes
- Field reversible glass door in heavy-duty extruded aluminum frame is standard, black anodized solid aluminum door is optional
- Fixed wire universal slides for 18"x26" sheet pans and 12"x20"x2.5" steam table pans

Cabinets with Adjustable Universal, Fixed Universal or Angle Slides

Model Number	Pan/Tray Capacity*		Slide Pairs Provided	Overall Dimensions			Caster Diameter in (mm)	Class 100 Shipping Weight lbs (kgs)
	12"x20"	18"x26"		Height	Depth in (mm)	Width		
HL1-5 (under-counter)	10	5	5	31-1/16 (789)	29-1/2 (749)	24-11/16 (627)	5 (127)	99 (45)
HL1-8 (1/2 size)	16	8	8	40-1/16 (1018)	29-1/2 (749)	24-11/16 (627)	5 (127)	137 (62)
HL1-14 (3/4 size)	28	14	14	58-1/16 (1474)	29-1/2 (749)	24-11/16 (627)	5 (127)	155 (70)
HL1-18 (full size)	36	18	18	70-1/16 (1780)	29-1/2 (749)	24-11/16 (627)	5 (127)	198 (90)

* fixed spacing at 3"

APPROVALS:




Conforms to UL Std 197
certified to CAN/CSA Std
C22.2 No. 109

3174974



Conforms to
NSF/ANSI
Std 4

3174974

Electrical Information NEMA Plug Type	
1800 watts 120 volts 15.0 Amps 60 Hz Single Phase	NEMA 5-20P 



International voltage:
220 volts, 1800 watts,
8.2 Amps, 50 Hz, single
phase, plug cap per
specific country require-
ments / standards



Canadian Voltage:
120v, 1400 watts,
12Amps, NEMA 5-15P

HLM1 NON-INSULATED ALUMINUM MERCHANDISING CABINETS



HL1 Features & Benefits

- Precision-engineered bottom mount heater with superior heat-up and recovery time
- Analog heat control. Digital thermometer. Temperature range of 90°-190° F
- 3/4 and full sized cabinets with adjustable racks and shelves to accommodate a variety of items, including pizza boxes
- All swivel heavy-duty casters, front casters fitted with brakes
- Field reversible glass door in heavy-duty extruded aluminum frame is standard, black anodized solid aluminum door is optional
- Tempered glass doors and walls; pass-through design



Cabinets with Adjustable Racks and Shelves

Model Number	Capacity*		Shelves	Overall Dimensions			Caster Diameter in (mm)	Class 100 Shipping Weight lbs (Kgs)
	12"x20" Pizza Boxes	18"x26" Sheet Pans		Height	Depth in (mm)	Width		
HLM1-14 (3/4 size)	28	14*	3	58-5/8 (1489)	30-1/4 (781)	24-5/8 (625)	5 (127)	155 (70)
HLM1-18 (full size)	36	18*	4	70-5/8 (1780)	30-1/4 (781)	24-5/8 (625)	5 (127)	198 (90)

* on optional wire racks with fixed spacing at 3"

APPROVALS:




Conforms to UL Std 197
certified to CAN/CSA Std
C22.2 No. 109

3174974



Conforms to
NSF/ANSI
Std 4

3174974

Electrical Information NEMA Plug Type	
1800 watts 120 volts 15.0 Amps 60 Hz Single Phase	NEMA 5-20P 



International voltage:
220 volts, 1800 watts,
8.2 Amps, 50 Hz, single
phase, plug cap per
specific country require-
ments / standards



Canadian Voltage:
120v, 1400 watts,
12Amps, NEMA 5-15P

HL2 NON-INSULATED ALUMINUM HEATER/PROOFER FEATURES & SPECIFICATIONS



HL2 Features & Benefits

- Precision-engineered bottom mount heater with superior heat-up and recovery time
- Analog heat and humidity levels. Digital thermometer. Temperature range of 90°- 190°F
- Can be operated with or without humidity. Capable of humidified holding as well as proofing
- Four sizes, available with adjustable universal, fixed universal or adjustable universal slides
- All swivel heavy-duty casters, front casters fitted with brakes
- Field reversible glass door in heavy-duty extruded aluminum frame is standard, black anodized solid aluminum door is optional
- Fixed wire universal slides for 18"x26" sheet pans and 12"x20"x2.5" steam table pans

Cabinets with Adjustable Universal, Fixed Universal or Angle Slides

Model Number	Pan/Tray Capacity*		Slide Pairs Provided	Overall Dimensions			Caster Diameter in (mm)	Class 100 Shipping Weight lbs (kgs)
	12"x20"	18"x26"		Height	Depth in (mm)	Width		
HL2-5 (under-counter)	10	5	5	31-1/16 (789)	29-1/2 (749)	24-11/16 (627)	5 (127)	99 (45)
HL2-8 (1/2 size)	16	8	8	40-1/16 (1018)	29-1/2 (749)	24-11/16 (627)	5 (127)	137 (62)
HL2-14 (3/4 size)	28	14	14	58-1/16 (1474)	29-1/2 (749)	24-11/16 (627)	5 (127)	155 (70)
HL2-18 (full size)	36	18	18	70-1/16 (1780)	29-1/2 (749)	24-11/16 (627)	5 (127)	198 (90)

* fixed spacing at 3"


APPROVALS:



Conforms to UL Std 197
certified to CAN/CSA Std
C22.2 No. 109



Conforms to
NSF/ANSI
Std 4

Electrical Information NEMA Plug Type	
2100 watts 120 volts 17.5 Amps 60 Hz Single Phase	NEMA 5-20P 



International voltage:
220 volts, 2100 watts,
9.5 Amps, 50 Hz, single
phase, plug cap per
specific country require-
ments / standards



Canadian Voltage:
120v, 1400 watts,
12Amps, NEMA 5-15P

HL3 INSULATED ALUMINUM HEATED CABINET FEATURES & SPECIFICATIONS



HL3 Features & Benefits

- Precision-engineered bottom mount heater with superior heat-up and recovery time
- Analog heat control. Digital thermometer. Temperature range of 90° - 190°F
- Four sizes, available with adjustable universal, fixed universal or adjustable universal slides
- All swivel heavy-duty casters, front casters fitted with brakes
- Field reversible glass door in heavy-duty extruded aluminum frame is standard, black anodized solid aluminum door is optional
- Fixed wire universal slides for 18"x26" sheet pans and 12"x20"x2.5" steam table pans

Cabinets with Adjustable Universal, Fixed Universal or Angle Slides

Model Number	Pan/Tray Capacity*		Slide Pairs Provided	Overall Dimensions			Caster Diameter in (mm)	Class 100 Shipping Weight lbs (kgs)
	12"x20"	18"x26"		Height	Depth in (mm)	Width		
HL3-5 (under-counter)	10	5	5	31-5/8 (803)	31-1/2 (800)	26-1/2 (673)	5 (127)	104 (47)
HL3-8 (1/2 size)	16	8	8	40-5/8 (1032)	31-1/2 (800)	26-1/2 (673)	5 (127)	147 (67)
HL3-14 (3/4 size)	28	14	14	58-5/8 (1489)	31-1/2 (800)	26-1/2 (673)	5 (127)	170 (77)
HL3-18 (full size)	36	18	18	70-5/8 (1794)	31-1/2 (800)	26-1/2 (673)	5 (127)	218 (99)

* fixed spacing at 3"

APPROVALS:




Conforms to UL Std 197
certified to CAN/CSA Std
C22.2 No. 109

3174974



Conforms to
NSF/ANSI
Std 4

3174974

Electrical Information NEMA Plug Type	
1800 watts 120 volts 15.0 Amps 60 Hz Single Phase	NEMA 5-20P 



International voltage:
220 volts, 1800 watts,
8.2 Amps, 50 Hz, single
phase, plug cap per
specific country require-
ments / standards



Canadian Voltage:
120v, 1400 watts,
12Amps, NEMA 5-15P

HL4 INSULATED ALUMINUM HEATER/PROOFER FEATURES & SPECIFICATIONS



HL4 Features & Benefits

- Precision-engineered bottom mount heater with superior heat-up and recovery time
- Analog heat and humidity levels. Digital thermometer. Temperature range of 90°- 190°F
- Can be operated with or without humidity. Capable of humidified holding as well as proofing
- Four sizes, available with adjustable universal, fixed universal or adjustable universal slides
- All swivel heavy-duty casters, front casters fitted with brakes
- Field reversible glass door in heavy-duty extruded aluminum frame is standard doors are standard, solid aluminum door is optional
- Fixed wire universal slides for 18"x26" sheet pans and 12"x20"x2.5" steam table pans

Cabinets with Adjustable Universal, Fixed Universal or Angle Slides

Model Number	Pan/Tray Capacity*		Slide Pairs Provided	Overall Dimensions			Caster Diameter in (mm)	Class 100 Shipping Weight lbs (Kgs)
	12"x20"	18"x26"		Height	Depth	Width		
HL4-5 (under-counter)	10	5	5	31-5/8 (803)	31-1/2 (800)	26-1/2 (673)	5 (127)	104 (47)
HL4-8 (1/2 size)	16	8	8	40-5/8 (1032)	31-1/2 (800)	26-1/2 (673)	5 (127)	147 (67)
HL4-14 (3/4 size)	28	14	14	58-5/8 (1489)	31-1/2 (800)	26-1/2 (673)	5 (127)	170 (77)
HL4-18 (full size)	36	18	18	70-5/8 (1794)	31-1/2 (800)	26-1/2 (673)	5 (127)	218 (99)

* fixed spacing at 3"

APPROVALS:



Conforms to UL Std 197
certified to CAN/CSA Std
C22.2 No. 109



Conforms to
NSF/ANSI
Std 4

Electrical Information NEMA Plug Type	
2100 watts	NEMA 5-20P
120 volts	
17.5 Amps	
60 Hz Single Phase	



International voltage:
220 volts, 2100 watts,
9.5 Amps, 50 Hz, single
phase, plug cap per
specific country require-
ments / standards



Canadian Voltage:
120v, 1400 watts,
12Amps, NEMA 5-15P

UNPACKING AND INSPECTION



This appliance should be thoroughly cleaned prior to use.

See the **CLEANING INSTRUCTIONS** in this manual.

NOTE: DO NOT discard the carton or other packing materials until you have inspected the appliance for hidden damage and checked it for proper operation.

Refer to **SHIPPING DAMAGE CLAIM PROCEDURE** on bottom of this page.

1. Remove the cabinet from shipping carton, ensuring that all packing materials and protective plastic has been removed from the unit.
2. Inspect all components for completeness and condition.
3. If any freight damage is present, a freight claim must be filed immediately with the shipping company.
4. **Freight damage is not covered under warranty.**
5. Check to insure all components are included: cabinet, instruction packet and additional accessories.
6. Read operation instructions completely.
7. Appliance should be thoroughly cleaned before use. See **CLEANING INSTRUCTIONS** in this manual.

FREIGHT DAMAGE PROCEDURE

NOTE: For your protection, please note that equipment in this shipment was carefully inspected and packaged by skilled personnel before leaving the factory. Upon acceptance of this shipment, the transportation company assumes full responsibility for its safe delivery.

IF SHIPMENT ARRIVES DAMAGED:

1. **VISIBLE LOSS OR DAMAGE:** Be certain that any visible loss or damage is noted on the freight bill or express receipt, and that the note of loss or damage is signed by the delivery person.
2. **FILE CLAIM FOR DAMAGE IMMEDIATELY:** Regardless of the extent of damage. **Contact your dealer immediately.**
3. **CONCEALED DAMAGE:** If damage is unnoticed until the merchandise is unpacked, notify the transportation company or carrier immediately, and then file a "CONCEALED DAMAGE" claim with them. This should be done within fifteen (15) days from the date the delivery was made to you. **Be sure to retain the container for inspection.**

Carter-Hoffmann cannot assume liability for damage or loss incurred in transit, **freight damage is not covered under warranty.** We will, however, at your request, supply you with the necessary documents to support your claim.

INSTALLATION AND STARTUP



WARNING: Risk of personal injury

Installation procedures must be performed by a qualified technician with full knowledge of all applicable electrical codes. Failure could result in personal injury and property damage.



IMPORTANT: Power cord is 8' long

If necessary, contact a licensed electrician to install an appropriate 20 amp electrical circuit with correct NEMA receptacle.

DO NOT use an extension cord.



CAUTION: Electrical Shock Hazard

The ground prong of the power cord is part of a system designed to protect you from electric shock in the event of internal damage.

DO NOT cut off the large round ground prong or twist a blade to fit an existing receptacle.



IMPORTANT: Not under warranty

Damage to unit due to being connected to the wrong voltage or phase is **NOT** covered by warranty.



WARNING: Risk of personal injury

Unit is not waterproof, to avoid electrical shock, keep unit from being submerged in water. Do not operate if unit has been in contact with water.

LOCATION

For proper operation and maximum performance, locate the unit in an ambient air temperature of 70°F (21°C).

Avoid placement in areas near exhaust fans or where there are active air movements.

For safe operation and maximum performance, locate the unit at least 2" from any wall or combustible material.

Unit must be on a solid level surface.

GROUNDING INSTRUCTIONS

This appliance is equipped with a cord having a grounding wire with a grounding plug which must be plugged into an outlet that is properly installed and grounded. In the event of an electrical short circuit, grounding reduces the risk of electric shock by providing an escape wire for the electric current.

WARNING—Improper use of the grounding can result in a risk of electric shock. Consult a qualified electrician or service agent if the grounding instructions are not completely understood, or if doubt exists as to whether the appliance is properly grounded.

START UP

1. Prior to use, thoroughly clean the interior of the unit, per the instructions in this manual. Familiarize yourself with the controls.
2. Plug the power cord of the cabinet into a grounded outlet with a electrical service according to the electrical information provided below. **DO NOT MODIFY CORD PLUG.**
3. Set POWER switch to the "ON" position.
4. Do not load product into the cabinet. Allow the heat to remove any residual oils which may adhere to inside metal surfaces. A slight emission of smoke is common during the first few hours of operation.

Electrical Information NEMA Plug Type	
1800 watts 120 volts 15.0 Amps 60 Hz Single Phase	NEMA 5-20P

HL1 & HL3 Models

Electrical Information NEMA Plug Type	
2100 watts 120 volts 17.5 Amps 60 Hz Single Phase	NEMA 5-20P

HL2 & HL4 Models

220 volt CE international versions:

HL1 & HL3 Series: 1800 watts, 220 volts, 8.2 Amps, 50/60 Hz, single phase

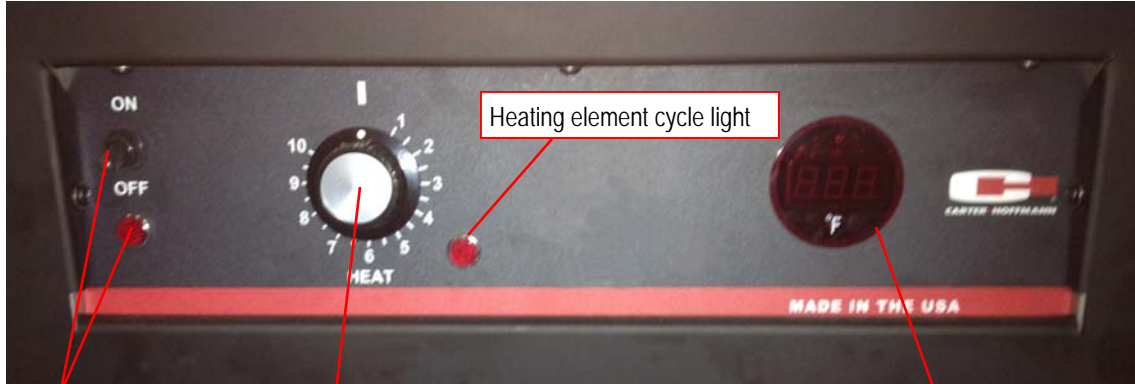
HL2 & HL4 Series: 2100 watts, 220 volts, 9.5 Amps, 50/60 Hz, single phase

Plug cap per specific country requirements / standards

Canada: 1400 watts, 120 volts, 12 Amps, single phase, NEMA 5-15P

DETAILS: CONTROL PANELS & WATER PANS

HL1 & HL3 Series Heated Holding Cabinets & HLM1 Series Merchandisers

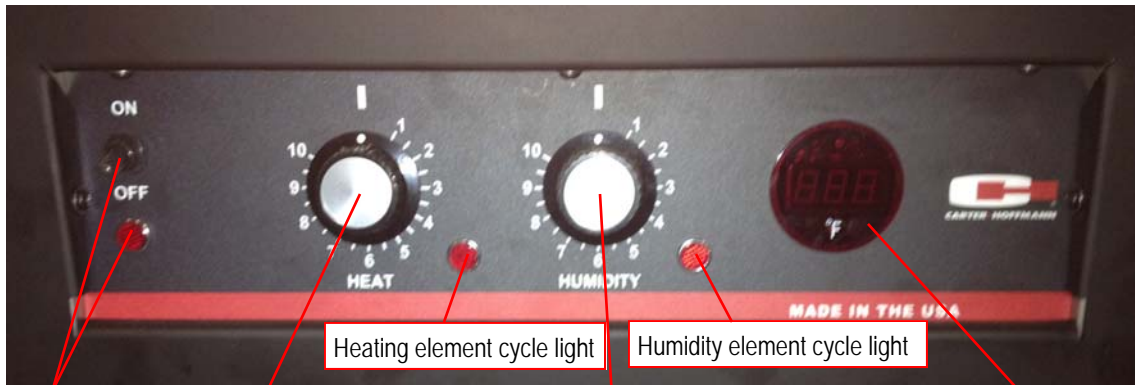


ON/OFF power switch and indicator light

Heat control knob. Settings from 1 (low heat) to 10 (high heat)

Digital temperature read-out

HL2 & HL4 Series Heater/Proofer Cabinets



ON/OFF power switch and indicator light

Heat control knob. Settings from 1 (low heat) to 10 (high heat)

Humidity control knob. Settings from 1 (low humidity) to 10 (high humidity)

Digital temperature read-out

WATER PAN LOCATIONS



Humidity pan (HL2 and HL4 cabinets only; manual fill): check and fill every 2 hours when operating cabinet with humidity

Water trough for condensation: collects and deposits condensation into pan below

Condensation pan: check and empty periodically

NORMAL OPERATION—HL1, HL3 & HLM1 HEATED CABINETS



CAUTION: HOT SURFACE

Inner and outer surfaces of the unit will be very hot during and after operation.

Avoid touching the cabinet when loading or removing product.

Operating ranges:

- air temp: 90°F-190°F
(32°C - 88°C)

****For food safety reasons, it is recommended that the holding temperature be set at 140°F (60°C) or higher.***

FIRST USE

Before using the cabinet, familiarize yourself with the heater controls. See page 9 for details. Plug the cabinet into a proven power source. See electrical specifications on page 8.

HOLDING

1. Turn the cabinet on using the power switch located on the far left side of the control panel. Once the switch is turned on, the power indicator light will illuminate.
2. To adjust the temperature setting, rotate the HEAT dial clockwise to increase temperature and counter-clockwise to decrease temperature to the desired set point. Temperature dial settings range from 1 to 10*, with 1 being the lowest temperature and 10 being the highest temperature. HEAT cycle light will turn on and off as the heat thermostat cycles.
3. Wait approximately 25 minutes for the cabinet to preheat. Digital readout dial on right side of control panel will display actual cabinet temperature*.
4. Load food pans into cabinet. NOTE: Follow all food safety guidelines. Put hot, cooked food into the cabinet. This cabinet is not intended to reheat food. Food must be cooked and at safe serving temperature prior to being placed in the cabinet.
5. When removing items, start at the bottom and work up. This will keep food hotter and eliminate spillage onto lower items.

***NOTE:** When using the 120V, 1550 watt, low wattage heater option, the air temperature thermostat must be set to at least 9 on the dial to ensure that the cabinet reaches proper holding temperature.



NORMAL OPERATION—HL2 & HL4 HW HEATER PROOFERS



CAUTION: HOT SURFACE

Inner and outer surfaces of the unit will be very hot during and after operation.

Avoid touching the cabinet when loading or removing product.

Operating ranges:

- air temp: 90°F-190°F (32°C to 88°C)
- humidity: 0-90%RH

Water reservoir:

When using the water reservoir for humidified holding or proofing, check water level every 2 hours and refill if needed.



CAUTION: WATER HAZARD

A water trough is located at the base of the cabinet to collect and direct condensation into black plastic condensation pan below. Make sure to periodically check and empty the pan to avoid overflow & slip hazard.

****For food safety reasons, we recommend that the holding temperature should be set at or above 140°F (60°C).***

***NOTE:** When using the 120V, 1550 watt, low wattage heater option, the air temperature thermostat must be set to at least 9 on the dial to ensure that the cabinet reaches proper holding temperature.

FIRST USE

Before using the cabinet, familiarize yourself with the heater controls. See page 9 for details. Plug the cabinet into a proven power source. See electrical specifications on page 8.

HOLDING

1. If humidity is desired, a water pan is located at the bottom of the cabinet. This pan will provide active humidification up to 90%RH (depending on temperature). Fill water pan with clean warm water. NOTE: Cabinet may also be operated without water.
2. Turn the cabinet on using the power switch located on the far left side of the control panel. Once the switch is turned on, the power indicator light will illuminate.
3. To adjust the temperature setting, rotate the HEAT dial clockwise to increase temperature and counter-clockwise to decrease temperature to the desired set point. Temperature dial settings range from 1 to 10*, with 1 being the lowest temperature and 10 being the highest temperature.
4. To adjust humidity, rotate the humidity dial clockwise to increase humidity and counter-clockwise to decrease humidity. If humidity is not required, rotate dial counter-clockwise to the off position (line up dot on knob with white hash mark on control panel).
5. Wait approximately 25 minutes for the cabinet to preheat. Digital readout dial on right side of control panel will display actual cabinet temperature*.
6. Load food pans into cabinet. NOTE: Follow all food safety guidelines. Put hot, cooked food into the cabinet. This cabinet is not intended to reheat food. Food must be cooked and at safe serving temperature prior to being placed in the cabinet.
7. When removing items, start at the bottom and work up. This will keep food hotter and eliminate spillage onto lower items.

PROOFING

1. Follow instructions above for holding. Note: water pan at base of cabinet must be filled with clean warm water.
2. For proofing settings, rotate HEAT knob clockwise to 5 to 6 (approximately 90°F to 100°F; 32° to 38°C) and rotate HUMIDITY knob clockwise to 10 (90%+ RH).
3. Allow cabinet to preheat for approximately 25 minutes and load food according to the instructions above.

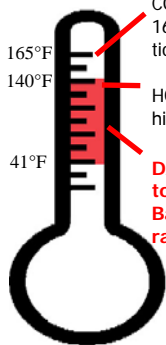


FOOD HOLDING GUIDE



**CAUTION: SAFE
FOOD HOLDING
PRACTICES
RECOMMENDED**

Cooking food to a safe temperature, holding at a temperature of at least 140°F (60°C) is critical in the prevention of foodborne illness. Hold only cooked, hot food at 140°F (60°C) or higher. This cabinet is not intended to cook or reheat food. Food must be at appropriate temperature before being placed into cabinet.



COOK TO AT LEAST
165°F (74°C) Destruction
of most bacteria

HOLD at 140°F (60°C) or
higher

**DANGER ZONE: 41°F
to 140°F (5° to 60°C)
Bacteria grow
rapidly**

PRODUCT	SET TEMPERATURE (°F / °C)	MAXIMUM TIME (MINUTES)
Bacon, Canadian	180°F / 82°C	30
Bacon, Crisp (uncovered)	180°F / 82°C	30
Baked Potato	180°F / 82°C	60
Biscuits	170°F / 77°C	60
Casseroles	175°F / 79°C	90
Chops, Sliced Meats	160°F / 71°C	60
Chicken, Fried (uncovered)	170°F / 77°C	30
Chicken, Boneless Breasts	175°F / 79°C	60
Chicken Nuggets, Deep Fried (uncovered)	190°F / 88°C	25
Chicken, Pre-Cooked Grilled Boneless Patties	150°F / 66°C	90
Coffee Cakes (uncovered)	170°F / 77°C	60
Cookies (uncovered)	175°F / 79°C	90
Crab Legs	160°F / 71°C	45
Croissants	170°F / 77°C	45
Eggs	160°F / 71°C	45
Fish, Deep-Fried (uncovered)	170°F / 77°C	30
Fish, Baked	155°F / 68°C	45
Fish, Broiled	155°F / 68°C	45
French Toast	165°F / 74°C	60
Gravies / Sauces	170°F / 77°C	45
Hamburgers / Ground Meat Patties	180°F / 82°C	45
Hot Dogs	180°F / 82°C	90
Muffins	170°F / 77°C	60
Omelets	160°F / 71°C	30
Pancakes	180°F / 82°C	30
Pasta	175°F / 79°C	60
Pastries	165°F / 74°C	30
Pizza (uncovered)	180°F / 82°C	15
Pizza (boxed)	180°F / 82°C	60
Poppers, Deep Fried (uncovered)	190°F / 88°C	25
Poultry, Whole, bone-in	175°F / 79°C	60
Poultry, Cut-up, bone-in	175°F / 79°C	60
Ribs	175°F / 79°C	90
Rice	175°F / 79°C	30
Roasts / Bone-in Meats	165°F / 74°C	90
Sausage	180°F / 82°C	90
Shrimp / Shellfish	150°F / 66°C	60
Soups (broth)	185°F / 85°C	90
Tortillas (soft)	180°F / 82°C	60
Vegetables	175°F / 79°C	45

NOTE: Times and temperatures observed in a test kitchen environment. Times and temperatures may vary, depending on initial food quality, initial cooked temperature and user expectations of acceptable food quality.

DAILY CLEANING PROCEDURES



**CAUTION:
ELECTRIC SHOCK
HAZARD**

Disconnect appliance from electric power before cleaning.



**CAUTION:
HOT SURFACE**

Exposed surfaces can be hot to the touch and may cause burns. Allow appliance to cool before cleaning.



IMPORTANT:

DO NOT spill or pour water into controls, control panel or wiring. Water damage is **not** covered by warranty.



CAUTION:

Beware of sharp edges with sheet metal during cleaning process.

1. After all food products have been removed from the cabinet, turn the power switch to "OFF" and allow the cabinet to cool completely.
2. Unplug the unit prior to any cleaning.
3. Remove the rack assemblies.
4. Make sure the power cord is not hooked into the cord hook. Open cabinet door and empty water reservoir (HL1 and HL3 cabinets). Remove the heater module by lifting up the front enough to clear its detent, and then pull the module out of the cabinet. The power cord will slide through the access hole at the rear of the cabinet.
5. Inspect and clean the areas where there are vents or filters, making sure no water gets into the internal controls or electrical areas of the cabinet.
6. Clean the inside of the cabinet as well as the removed parts. Reinstall when all parts are dry and clean. Empty and clean black plastic condensation pan.
7. A solution of two tablespoons of baking soda per quart of warm water is sufficient for most cleaning jobs. Mild soap or detergent may be used on heavily soiled interiors—follow manufacturer's directions.
8. For glass doors and windows, clean with window cleaner, taking care not to get any of the solution on the aluminum cabinet walls. Stubborn deposits may be cleaned with a mild soap and water and then rinsed with clean water. Use a soft, non-abrasive cloth to avoid scratching the door.
9. Control panel should be washed with a clean, damp, non-abrasive cloth and chlorine-free detergent. Rinse thoroughly with clean damp cloth and allow to dry. Do not use abrasive cleaners, waxes, car polish, or substances containing strong aromatic solvents or alcohol. If the control knob(s) need to be removed for cleaning, simply pull the knob out, clean the control panel and knob, and then replace the knob.



CAUTION:

Do not use strong detergents, alkalis, ammonia solutions or abrasive cleaners. Use only cleaning agents approved for aluminum and only in the recommended manufacturer's concentration. Do not use steel wool pads—ferrous deposits will cause rusting.

Use of cleaning agents that are not recommended for aluminum may cause permanent damage to the cabinet. **THIS DAMAGE IS PERMANENT, COSTLY TO REPAIR AND IS NOT COVERED BY THE WARRANTY.**

CABINET MAINTENANCE



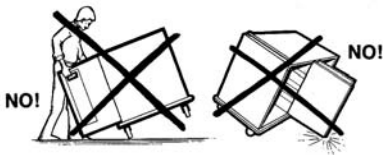
WARNING:

DO NOT perform these procedures while the cabinet is turned on or heated. Turn off the power and wait for the cabinet to cool to room temperature.



CAUTION:

Do not move cabinet unless door is securely closed. Serious damage to hinges and door may result if bumped into tables, walls, or other equipment when the doors are open.



CASTERS

Some cabinets may have caster bearings that are equipped with Zerk grease fittings so that they may be easily lubricated with a grease gun. Lubricate bearings at least once every six months.

HINGE MAINTENANCE

Make sure all joints remain sealed and door latches do not stick. If necessary, use WD-40 to keep door latches from sticking. Do not use oil.

REVERSING THE DOOR

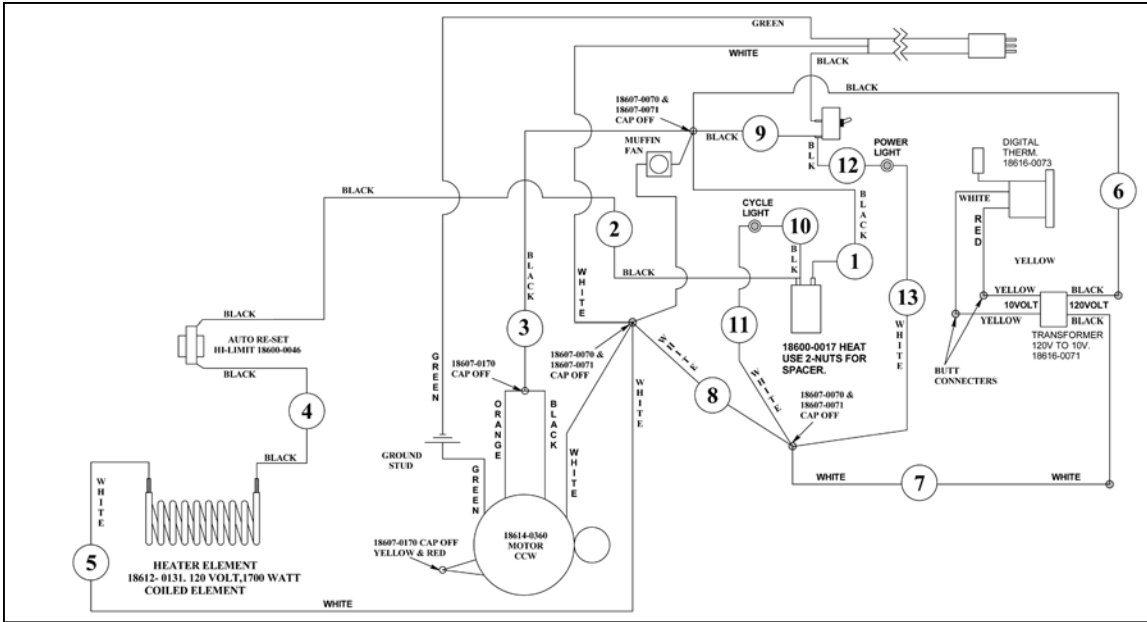
Reversing the door takes about 30 minutes & requires two people.

1. Using a small screwdriver, pry off the hinge covers and set aside. Removing the covers will allow access to the inside hinge screws. Remove the three screws that hold each hinge to the cabinet. **DO NOT REMOVE THE SCREWS THAT HOLD THE HINGES TO THE DOOR.** Remove the door, taking care not to let it fall.
2. Remove the door strike plate and screws adjacent to the door opening on the cabinet. Reinstall door strike plate and screws on opposite side of the cabinet.
3. Screw hinges onto opposite side of the door.
4. With the help of another person, hold door up to the cabinet and attach with the screws removed in step one. Before tightening the screws, be sure the door is flush, level and square. Replace the hinge covers.

WIRING DIAGRAMS

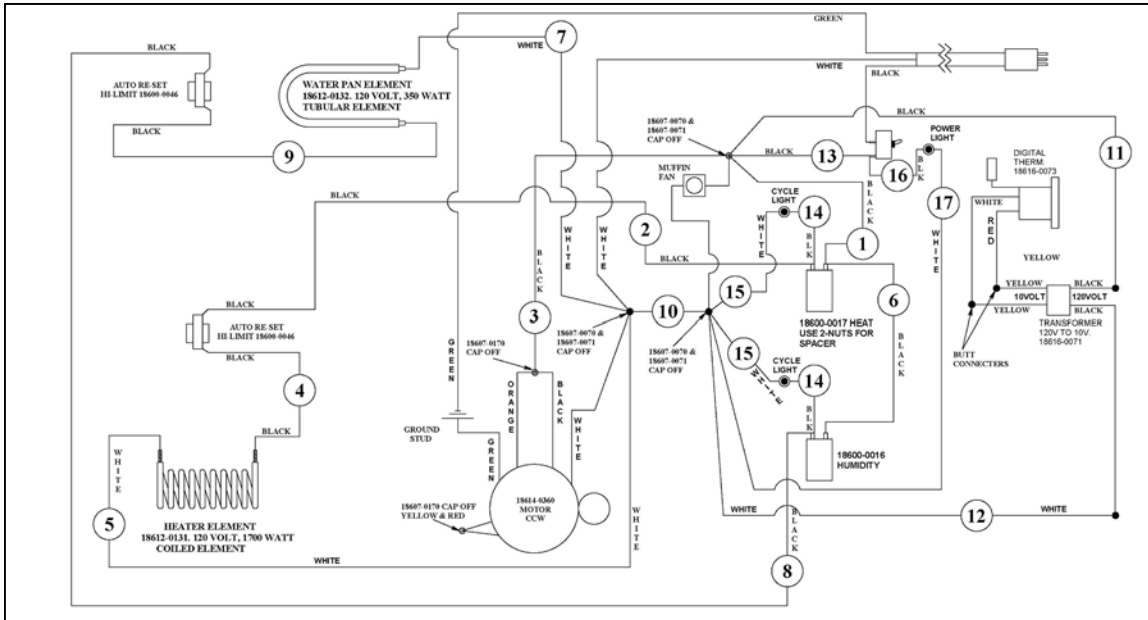
HL1, HL3 & HLM1 HB SERIES

Standard US Electric: 120 VOLT, 1800 WATT, 15AMP, 1 PH, 60 HZ
 International Electric: 220 VOLT, 1800 WATT, 8.2AMP, 1 PH, 50/60 HZ



HL2 & HL4 HW SERIES

Standard US Electric: 120 VOLT, 2100 WATT, 17.5 AMP, 1 PH
 International Electric: 220 VOLT, 2100 WATT, 9.5AMP, 1 PH, 50/60 HZ



REPLACEMENT PARTS

Use only (OEM) original equipment manufacturer replacement parts. Using unauthorized parts may cause serious injury or damage to the cabinet. Replacement parts should be installed by a qualified service technician.

Contact Carter-Hoffmann with your model and serial number for replacement parts.

Call: 800-323-9793 or

Email: Service@Carter-Hoffmann.com

Part Number	HL1 & HL3 Series Description
18600-0046	Hi limit—open at 300°F, close at 250°F
18602-0083	On/Off switch 20 Amp
18602-0031	Switch boot
18608-0010	Knob—heat
18605-0022	Power cord-8'
18606-0221	5-20P plug
18612-0131	Heat element 1700 watt, 120v (Standard US cabinets)
18613-0136	Heat element 1700 watt, 220v (International cabinets)
18616-0071	Transformer (Standard US cabinets)
18616-0074	Transformer (International 220v cabinets)
18614-0360	Fan motor
18614-0321	Fan motor blower wheel
18314-0019	1.8 qt. black condensation pan
18600-0017	Thermostat
18614-0322	Muffin fan
18616-0073	Digital thermometer
18616-0071	Transformer for digital thermometer
18601-1171	Red indicator light, power and heat
Part Number	HL2 & HL4 Series Description
18600-0046	Hi limit—open at 300°F, close at 250°F
18602-0083	On/Off switch 20 Amp
18602-0031	Switch boot
18608-0010	Knob—heat or humidity
18605-0022	Power cord—8'
18606-0221	5-20P plug
18612-0131	Heat element 1700 watt, 120v (Standard US cabinets)
18613-0136	Heat element 1700 watt, 220v (International cabinets)
18612-0132	Water pan element 350 watt, 120v (Standard US cabinets)
18612-0137	Water pan element 350 watt, 220v (International cabinets)
18616-0071	Transformer (Standard US cabinets)
18616-0074	Transformer (International 220v cabinets)
18614-0322	Muffin fan
18614-0360	Fan motor
18614-0321	Fan motor blower wheel
18314-0019	1.8 qt. black condensation pan
18600-0017	Thermostat—heat element
18600-0016	Thermostat—humidity element
18616-0073	Digital thermometer
18616-0071	Transformer for digital thermometer
18601-1171	Red indicator light, power, heat & humidity

TROUBLESHOOTING GUIDE

SYMPTOM	POSSIBLE CAUSE	SUGGESTED REMEDY
No power on display	Not plugged in or circuit breaker tripped	Check or reset circuit breaker Connect to proper receptacle
	Power cord damaged	Check - replace if required
	Circuit breaker tripped	Check circuit breaker
	Power switch damaged or defective	Check - replace if required
Food dries out too quickly	Operation where product temp is too high; food pans should be covered	Check product temps going into holding cabinet; cover food pans
	Control incorrectly set or defective	Check proper operation or calibration of control
Unit is on, motors are running but no heat	Internal wiring error	Call service technician
	Element hi-limit trip / defective	Call service technician
Takes too long to get to temperature	Improper voltage	Call service technician to verify incoming voltage matches cabinet specifications.
Unit is hot but low or no airflow	Internal wiring error	Call service technician
	Circulation motor has quit	Call service technician
	Improper voltage	Call service technician to verify incoming voltage matches cabinet specifications.

NOTE:

The technical content of this manual, including any wiring diagrams, schematics, parts breakdown illustrations and / or adjustment procedures, is **intended for use ONLY by qualified technical personnel.**

NOTE:

For warranty service, call Carter-Hoffmann direct at 800-323-9793 for authorization, we will dispatch the nearest authorized service agency.

3-YEAR WARRANTY on HOTLOGIX HOLDING CABINETS

Carter-Hoffmann Warranty:

Carter-Hoffmann ("CARTER-HOFFMANN") warrants to the initial purchaser of its standard Carter Line Products that CARTER-HOFFMANN will, at its option, repair or replace, during the warranty period set forth below, any part of such products made necessary due to a defect in material or workmanship which is present when the product leaves its factory and which manifests itself during the warranty period under normal use and service.

This warranty applies only to original equipment owned and possessed by the initial purchaser and the warranty period begins on the date of original shipment from the CARTER-HOFFMANN factory and extends as follows: to component parts and labor for 12 months (36 months on hotLOGIX holding cabinets, levels 3 through 10, and cook & hold cabinets); to refrigeration compressor unit for one year (limited to replacement only - not to include labor for removal, repair or replacement).

Repair or replacements under this warranty will be performed, unless otherwise authorized in writing by CARTER-HOFFMANN, at its factory. All parts or components to be repaired or replaced under this warranty are to be shipped prepaid to CARTER-HOFFMANN, with reimbursement credit for such part or component to be given if found by CARTER-HOFFMANN to be defective.

CARTER-HOFFMANN neither makes nor assumes and does not authorize any other person to make or assume any obligation or liability in connection with its products other than that covered in this warranty. This warranty applies only within the continental United States and Canada. In Alaska and Hawaii, this warranty applies only to and is limited to the supply of replacement parts.

Warranty Exclusions and Limitations:

Any implied warranty of merchantability or fitness for a particular purpose is hereby specifically disclaimed by CARTER-HOFFMANN. There are no warranties, expressed or implied, which extend beyond the description on the face hereof. This warranty does not cover and CARTER-HOFFMANN shall not under any circumstances be liable for any incidental, consequential or other damages (such as injury to persons or property, loss of time, inconvenience, loss of business or profits, or other matters not specifically covered) arising in connection with the use of, inability to use, or failure of these products.

Specifications subject to change through product improvement and innovation.

Carter-Hoffmann

1551 McCormick Ave.

Mundelein, Illinois, 60060 USA

Phone: 847-362-5500 Toll free: 800-323-9793 Fax: 847-367-8981

Sales and Marketing E-mail: sales@carter-hoffmann.com

Service E-mail: technicalservice@carter-hoffmann.com

Company Website: www.carter-hoffmann.com



Proud Member



CABINETS RÉCHAUDS & RÉCHAUDS ÉTUVES EN ALUMINIUM

Séries **HL1, HL2, HL3 & HL4** **MANUEL D'INSTRUCTION**



CARTER-HOFFMANN

FABRIQUÉ PAR:

CARTER-HOFFMANN
1551 McCormick Avenue
Mundelein, IL 60060 U.S.A.

Téléphone: 847-362-5500

Fax: 847-367-8981

Sans-frais: 800-323-9793

Courriel: technicalservice@carter-hoffmann.com



HL2-18

MODÈLES:
HL1 CABINETS
RÉCHAUDS
(non isolés)

Modèles: HL1-5,
HL1-8, HL1-14 &
HL1-18

Anciens modèles:
HBUSA2GM
HBUSA2GM
HBU14A2GM
HBU18A2GM
HBC10A2GM
HBC16A2GM
HBC28A2GM
HBC36A2GM
HBF5A2GM
HBF8A2GM
HBF14A2GM
HBF18A2GM

MODÈLES:
HL2 RÉCHAUDS/
ÉTUVES
(non isolés)

Modèles: HL2-5,
HL2-8, HL2-14 &
HL2-18

Anciens modèles:
HWUSA2GM
HWUSA2GM
HWU14A2GM
HWU18A2GM
HWC10A2GM
HWC16A2GM
HWC28A2GM
HWC36A2GM
HWF5A2GM
HWF8A2GM
HWF14A2GM
HWF18A2GM

MODÈLES:
HL3 CABINETS
RÉCHAUDS
(isolés)

Modèles: HL3-5,
HL3-8, HL3-14,
HL3-18

Anciens modèles:
HBUSA1GM
HBUSA1GM
HBU14A1GM
HBU18A1GM
HBC10A1GM
HBC16A1GM
HBC28A1GM
HBC36A1GM
HBF5A1GM
HBF8A1GM
HBF14A1GM
HBF18A1GM

MODÈLES:
HL4 RÉCHAUDS/
ÉTUVES
(isolés)

Modèles: HL4-5,
HL4-8, HL4-14,
HL4-18

Anciens modèles:
HWUSA1GM
HWUSA1GM
HWU14A1GM
HWU18A1GM
HWC10A1GM
HWC16A1GM
HWC28A1GM
HWC36A1GM
HWF5A1GM
HWF8A1GM
HWF14A1GM
HWF18A1GM

TABLE DES MATIÈRES

MESURES DE SÉCURITÉ.....	20
CARACTÉRISTIQUES ET SPÉCIFICATIONS.....	21-24
RÉCEPTION, INSPECTION & DOMMAGES DUS AU TRANSPORT.....	25
INSTALLATION & DÉMARRAGE	26
DÉTAILS: CONTRÔLES ET RÉSERVOIRS D'EAU.....	27
OPÉRATION: HL1 & HL3 CABINETS RÉCHAUDS.....	28
OPÉRATION: HL2 & HL4 RÉCHAUDS/ÉTUVES	29
GUIDE DE CONSERVATION DES ALIMENTS DANS UN RÉCHAUD....	30
PROCÉDURES DE NETTOYAGE QUOTIDIEN.....	31
ENTRETIEN.....	32
SCHEMA ÉLECTRIQUE.....	33
PIÈCES ET COMPOSANTES.....	34
GUIDE DE DÉPANNAGE.....	35
GARANTIE.....	36

MESURES DE SÉCURITÉ



AVERTISSEMENT: RISQUE D'ÉLECTROCUTION

Tous les manipulations/ajustements nécessitant l'accès à des composants électriques non isolés doivent être effectués par un professionnel qualifié. Le non-respect de cet avertissement peut entraîner un choc électrique sévère.



ATTENTION: RISQUE D'ÉLECTROCUTION

Débranchez cet appareil de l'alimentation électrique avant toute opération de maintenance ou de service.



ATTENTION: RISQUE DE BRÛLURE

Les surfaces métalliques exposées peuvent être chaudes au toucher et peuvent causer des brûlures.

CONSIGNES DE SÉCURITÉ IMPORTANTES

Lorsque vous utilisez des appareils électriques, des précautions élémentaires doivent être observées, y compris ce qui suit:

- 1) Familiarisez-vous avec l'utilisation de l'appareil, les limitations et restrictions qui s'y rattachent. Les instructions de fonctionnement doivent être lues et comprises par toutes les personnes qui utilisent ou installent cet appareil.
- 2) Cet appareil doit être mis à la terre. Raccordez l'appareil uniquement à une prise correctement mise à la terre.
- 3) Utilisez cet appareil uniquement pour l'usage prévu, comme décrit dans le manuel.
 - a. Cet équipement est spécialement conçu pour maintenir des aliments pré-cuits à une certaine température.
 - b. Cet équipement est destiné à être utilisé dans des établissements commerciaux seulement.
 - c. Cet équipement n'est pas conçu pour un usage industriel ou de laboratoire.
- 4) La propreté de cet appareil et de ses accessoires est indispensable à une bonne salubrité.
- 5) NE PAS immerger l'appareil dans l'eau. Cet appareil n'est pas étanche. NE PAS diriger de jet d'eau ou de vapeur en direction de l'appareil, ou du panneau de commande ou le câblage. NE PAS éclabousser ou verser de l'eau sur, dans ou au-dessus de tout contrôle, panneau de contrôle ou le câblage. NE PAS utiliser de produits corrosifs dans cet appareil.
- 6) NE PAS entreposer cet appareil à l'extérieur. NE PAS utiliser ce produit près de l'eau - par exemple, près d'un évier, dans un sous-sol humide ou près d'une piscine, etc.
- 7) NE PAS utiliser cet appareil si le cordon ou la fiche est endommagé, s'il ne fonctionne pas correctement ou s'il a été endommagé ou est tombé. Ne pas immerger le cordon ou la fiche dans l'eau, garder le cordon éloigné des surfaces chaudes, et ne laissez pas le cordon pendre de la table ou du comptoir.
- 8) NE PAS couvrir ni obstruer les ouvertures de l'appareil.
- 9) Seul un professionnel qualifié doit réparer cet appareil.

NOTE: Le contenu technique de ce manuel, y compris les schémas électriques, schémas, illustrations, procédures d'ajustement, est destiné à être utilisé par un professionnel qualifié et sont sujets à modification sans préavis.

HL1 CABINET RÉCHAUD NON ISOLÉ CARACTÉRISTIQUES & SPÉCIFICATIONS



HL1 Caractéristiques et avantages

- Système de chauffage de précision au bas de l'appareil. Offre une chaleur constante et une récupération rapide
- Contrôle électromécanique de la température. Thermomètre digital. Atteint des températures de 90° à 190°F
- Quatre dimensions disponibles avec supports universels ajustables, fixes ou à angles
- Roulettes pivotantes, roulettes avant équipées de freins
- Porte vitrée dans un cadre robuste en aluminium extrudé réversible. Porte pleine en aluminium anodisé noire en option
- Supports universels fixes pour plaques de 18"x26" et bacs 12"x20"x2.5"

Cabinets avec Supports Universels Ajustables, Universels Fixes ou à Angles

Modelé	Capacité bacs/plaques*		Supports inclus (paire)	Dimensions extérieures			Diamètre des roues pouce (mm)	Poids d'expédition (classe 100) lbs (kgs)
	12"x20"	18"x26"		Hauteur	Profondeur pouce (mm)	Largeur		
HL1-5 (sous le comptoir)	10	5	5	31-1/16 (789)	29-1/2 (749)	24-11/16 (627)	5 (127)	99 (45)
HL1-8 (1/2)	16	8	8	40-1/16 (1018)	29-1/2 (749)	24-11/16 (627)	5 (127)	137 (62)
HL1-14 (3/4)	28	14	14	58-1/16 (1474)	29-1/2 (749)	24-11/16 (627)	5 (127)	155 (70)
HL1-18 (pleine grandeur)	36	18	18	70-1/16 (1780)	29-1/2 (749)	24-11/16 (627)	5 (127)	198 (90)

* Espèce fixe de 3"


LISTÉS:



Conformes à UL Std 197
certifié CAN/CSA Std
C22.2 No. 109



Conformes à
NSF/ANSI
Std 4

Système électrique NEMA	
1800 watts 120 volts 15.0 Amps 60 Hz Monophasé	



Voltage international:
220 volts, 1800 watts, 8.2
Amps, 50 Hz, monophasé,
fiche respectant les exi-
gences / normes du pays
spécifié



Voltage canadien:
120v, 1400 watts,
12Amps, NEMA 5-15P

HL2 RÉCHAUD/ÉTUVE NON ISOLÉ EN ALUMINIUM CARACTÉRISTIQUES & SPÉCIFICATIONS



HL2 Caractéristiques et avantages

- Système de chauffage de précision au bas de l'appareil. Offre une chaleur constante et une récupération rapide
- Contrôle électromécanique de la température et de l'humidité. Thermomètre digital. Atteint des températures de 90° à 190°F
- Peut être utilisé avec ou sans humidité en mode réchaud et en mode étuve
- Quatre dimensions disponibles avec supports universels ajustables, fixes ou à angles
- Roulettes pivotantes, roulettes avant équipées de freins
- Porte vitrée dans un cadre robuste en aluminium extrudé réversible. Porte pleine en aluminium anodisé noire en option
- Supports universels fixes pour plaques de 18"x26" et bacs 12"x20"x2.5"

Cabinets avec Supports Universels Ajustables, Universels Fixes ou à Angles

Modèle	Capacité bacs/plaques*		Supports inclus (paire)	Dimensions extérieures			Diamètre des roues pouce (mm)	Poids d'expédition (classe 100) lbs (kgs)
	12"x20"	18"x26"		Hauteur	Profondeur pouce (mm)	Largeur		
HL2-5 (sous le comptoir)	10	5	5	31-1/16 (789)	29-1/2 (749)	24-11/16 (627)	5 (127)	99 (45)
HL2-8 (1/2)	16	8	8	40-1/16 (1018)	29-1/2 (749)	24-11/16 (627)	5 (127)	137 (62)
HL2-14 (3/4)	28	14	14	58-1/16 (1474)	29-1/2 (749)	24-11/16 (627)	5 (127)	155 (70)
HL2-18 (pleine grandeur)	36	18	18	70-1/16 (1780)	29-1/2 (749)	24-11/16 (627)	5 (127)	198 (90)

* Espace fixe de 3"

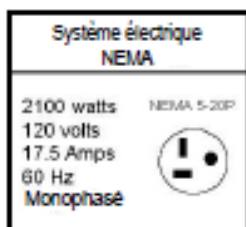
LISTÉS:



Conformes à UL Std 197
certifiés CAN/CSA Std
C22.2 No. 109



Conformes à
NSF/ANSI
Std 4



Voltage international:
220 volts, 2100 watts, 9.5
Amps, 50 Hz, monophasé,
fiche respectant les exi-
gences / normes du pays
spécifié



Voltage canadien: 120v,
1400 watts, 12Amps,
NEMA 5-15P

HL3 CABINET RÉCHAUD ISOLÉ EN ALUMINIUM CARACTÉRISTIQUES & SPÉCIFICATIONS



HL3 Caractéristiques et avantages

- Système de chauffage de précision au bas de l'appareil. Offre une chaleur constante et une récupération rapide
- Contrôle électromécanique de la température. Thermomètre digital. Atteint des températures de 90° à 190°F
- Quatre dimensions disponibles avec supports universels ajustables, fixes ou à angles
- Roulettes pivotantes, roulettes avant équipées de freins
- Porte vitrée dans un cadre robuste en aluminium extrudé réversible. Porte pleine en aluminium anodisé noire en option
- Supports universels fixes pour plaques de 18"x26" et bacs 12"x20"x2.5"

Cabinets avec Supports Universels Ajustables, Universels Fixes ou à Angles

Modèle	Capacité bacs/plaques*		Supports inclus (paire)	Dimensions extérieures			Diamètre des roues pouce (mm)	Poids d'expédition (classe 100) lbs (kgs)
	12"x20"	18"x26"		Hauteur	Profondeur pouce (mm)	Largeur		
HL3-5 (sous le comptoir)	10	5	5	31-5/8 (803)	31-1/2 (800)	26-1/2 (673)	5 (127)	104 (47)
HL3-8 (1/2)	16	8	8	40-5/8 (1032)	31-1/2 (800)	26-1/2 (673)	5 (127)	147 (67)
HL3-14 (3/4)	28	14	14	58-5/8 (1489)	31-1/2 (800)	26-1/2 (673)	5 (127)	170 (77)
HL3-18 (pleine grandeur)	36	18	18	70-5/8 (1794)	31-1/2 (800)	26-1/2 (673)	5 (127)	218 (99)

* Espace fixe de 3"

LISTÉS:



3174874

Conformes à UL Std 197
certifié CAN/CSA Std
C22.2 No. 109



3174874

Conformes à
NSF/ANSI
Std 4

Système électrique NEMA	
1800 watts 120 volts 15.0 Amps 60 Hz Monophasé	NEMA 5-30P



Voltage international:
220 volts, 1800 watts,
8.2 Amps, 50 Hz, mono-
phasé, fiche respectant
les exigences /
normes du pays spéci-



Voltage canadien: 120V,
1400 watts, 12Amps,
NEMA 5-15P

HL4 RÉCHAUD/ÉTUVE ISOLÉ EN ALUMINIUM CARACTÉRISTIQUES & SPÉCIFICATIONS



HL4 Caractéristiques et avantages

- Système de chauffage de précision au bas de l'appareil. Offre une chaleur constante et une récupération rapide
- Contrôle électromécanique de la température et de l'humidité. Thermomètre digital. Atteint des températures de 90° à 190°F
- Peut être utilisé avec ou sans humidité en mode réchaud et en mode étuve
- Quatre dimensions disponibles avec supports universels ajustables, fixes ou à angles
- Roulettes pivotantes, roulettes avant équipées de freins
- Porte vitrée dans un cadre robuste en aluminium extrudé réversible. Porte pleine en aluminium en option.
- Supports universels fixes pour plaques de 18"x26" et bacs 12"x20"x2.5"

Cabinets avec Supports Universels Ajustables, Universels Fixes ou à Angles

Modèle	Capacité bacs/plaques* 12"x20" 18"x26"		Supports inclus (paire)	Dimensions extérieures			Diamètre des roues pouce (mm)	Poids d'expédition (classe 100) lbs (kgs)
	Hauteur	Profondeur pouce (mm)		Largeur				
HL4-5 (sous le comptoir)	10	5	5	31-5/8 (803)	31-1/2 (800)	26-1/2 (673)	5 (127)	104 (47)
HL4-8 (1/2)	16	8	8	40-5/8 (1032)	31-1/2 (800)	26-1/2 (673)	5 (127)	147 (67)
HL4-14 (3/4)	28	14	14	58-5/8 (1489)	31-1/2 (800)	26-1/2 (673)	5 (127)	170 (77)
HL4-18 (pleine grandeur)	36	18	18	70-5/8 (1794)	31-1/2 (800)	26-1/2 (673)	5 (127)	218 (99)

* Espace fixe de 3"

LISTÉS:



Conforme à UL Std 197
certifié CAN/CSA Std
C22.2 No. 109



Conforme à
NSF/ANSI
Std 4

Système électrique NEMA	
2100 watts 120 volts 17.5 Amps 60 Hz Monophasé	NEMA 5-20P



Voltage international:
220 volts, 2100 watts,
9.5 Amps, 60 Hz, mo-
nophasé, fiche respec-
tant les exigences /
normes du pays spéci-



Voltage canadien: 120v,
1400 watts, 12Amps,
NEMA 5-15P

DÉBALLAGE ET INSPECTION



Cet appareil doit être nettoyé à fond avant de l'utiliser.

Voir PROCÉDURES DE NETTOYAGE dans ce manuel.

NOTE: NE PAS jeter le carton ou autres matériaux d'emballage avant d'avoir vérifié si l'appareil comporte des dommages cachés et d'avoir vérifié le bon fonctionnement de celui-ci.

Si votre appareil a été endommagé durant le transport, reportez-vous à la PROCÉDURE DE RÉCLAMATION au bas de cette page.

1. Retirez le carton d'emballage, assurez-vous que tous les matériaux d'emballage et de protection en plastique ont été retirés de l'appareil.
2. Inspectez toutes les composantes.
3. En cas de dommages dus au transport, une demande de réclamation doit être déposée immédiatement auprès du transporteur.
4. Les dommages dus au transport ne sont pas couverts par la garantie.
5. Vérifiez afin de vous assurer que toutes les composantes sont incluses: cabinet, manuel d'instruction et autres accessoires.
6. Lisez les instructions de fonctionnement.
7. L'appareil doit être nettoyé à fond avant de l'utiliser. Voir PROCÉDURES DE NETTOYAGE dans ce manuel.

PROCÉDURE DE RÉCLAMATION POUR COLIS ENDOMMAGÉ

NOTE: Pour votre protection, notez que l'équipement dans cette expédition a été minutieusement inspecté et emballé par un professionnel qualifié avant de quitter l'usine. Sur acceptation de cette expédition, la compagnie de transport assume l'entière responsabilité de sa livraison en bon état.

SI LE COLIS EST ENDOMMAGÉ:

1. **PERTE OU DOMMAGES VISIBLES:** Notez les pertes ou dommages sur le bon de transport ou le reçu, et faites signer le livreur.
2. **COMPLÉTEZ LE FORMULAIRE DE RÉCLAMATION IMMÉDIATEMENT:** Quelle que soit l'ampleur des dégâts, contactez immédiatement votre vendeur.
3. **DOMMAGES CACHÉS:** Si les dommages sont inaperçus jusqu'à ce que la marchandise soit déballée, avisez la compagnie de transport ou le transporteur immédiatement, puis déposez une réclamation avec eux. Cela devrait être fait dans les quinze (15) jours à compter de la date de la réception du colis. Veillez à conserver l'emballage pour l'inspection.

Carter-Hoffmann ne peut pas assumer la responsabilité des dommages ou des pertes subies en transit, les dégâts dus au transport ne sont pas couverts par la garantie. Nous allons, cependant, à votre demande, vous fournir les documents nécessaires pour appuyer votre demande de réclamation.

INSTALLATION & DÉMARRAGE



MISE EN GARDE: Risque de blessures

L'installation doit être effectuée par un technicien qualifié en pleine connaissance de tous les codes électriques en vigueur. Une mauvaise installation pourrait entraîner des blessures et des dommages matériels.



IMPORTANT:
Le cordon d'alimentation est d'une longueur de 8'

Si nécessaire, contactez un électricien agréé pour installer un circuit électrique de 20 ampères et la prise NEMA appropriée.

NE PAS utiliser de rallonge.



ATTENTION:
Risque d'électrocution

La mise à la terre du cordon d'alimentation fait partie d'un système conçu pour vous protéger contre les chocs électriques en cas de dommages internes.

NE PAS couper la grande broche ronde ou forcer une lame pour s'adapter à une prise existante.



IMPORTANT:
Pas sous garantie

Les dommages causés par une connexion à une mauvaise tension ou phase ne sont **PAS** couverts par la garantie.



MISE EN GARDE: Risque de blessures

Cet appareil n'est pas étanche, pour éviter un choc électrique, gardez l'unité au sec. Ne pas faire fonctionner si l'appareil a été en contact avec de l'eau.

EMPLACEMENT

Pour un bon fonctionnement et une performance maximale, localisez l'appareil dans une pièce où la température ambiante est de 70°F (21°C).

Évitez de placer près d'une hotte ou dans une zone avec beaucoup de courants d'air.

Pour une utilisation sécuritaire et une performance maximale, placez l'unité à au moins 2" du mur ou de matières combustibles.

L'unité doit être sur une surface plane et stable.


INSTRUCTIONS DE MISE À LA TERRE

Cet appareil est équipé d'un cordon muni d'un fil de mise à la terre avec une fiche de mise à la terre qui doit être branchée dans une prise de courant correctement installée et mise à la terre. Dans le cas d'un court-circuit, la mise à la terre réduit le risque de choc électrique en fournissant un circuit de fuite au courant électrique.


AVERTISSEMENT- L'utilisation incorrecte de la mise à la terre peut entraîner un risque d'électrocution. Consultez un électricien qualifié ou un agent de service si les instructions de mise à la terre ne sont pas complètement comprises ou s'il existe un doute quant à savoir si l'appareil est correctement mis à la terre.

DÉMARRAGE

1. Avant utilisation, bien nettoyer l'intérieur de l'appareil, conformément aux instructions de ce manuel. Familiarisez-vous avec les commandes.
2. Branchez le cordon d'alimentation dans une prise mise à la terre avec une tension électrique selon l'information fournie ci-dessous. **NE PAS MODIFIER LE CORDON.**
3. Réglez le commutateur POWER sur la position "ON".
4. Ne pas mettre de produit dans le cabinet. Permettre à la chaleur d'éliminer les huiles résiduelles qui peuvent adhérer aux surfaces métalliques à l'intérieur. Une légère émission de fumée est courante pendant les premières heures de fonctionnement.

Système électrique NEMA	
1800 watts 120 volts 15.0 Amps 60 Hz monophasé	NEMA 5-20P 

Modèles HL1 & HL3

Système électrique NEMA	
2100 watts 120 volts 17.5 Amps 60 Hz monophasé	NEMA 5-20P 

Modèles HL2 & HL4

220 volt CE version internationale:

Séries HL1 & HL3: 1800 watts, 220 volts, 8.2 Amps, 50/60 Hz, monophasé

Séries HL2 & HL4: 2100 watts, 220 volts, 9.5 Amps, 50/60 Hz, monophasé

Fiche respectant les exigences / normes du pays spécifié

Canada: 1400 watts, 120 volts, 12 Amps, monophasé, NEMA 5-15P

DÉTAILS: CONTRÔLES ET RÉSERVOIRS D'EAU

Cabinets réchauds des séries HL1 & HL3

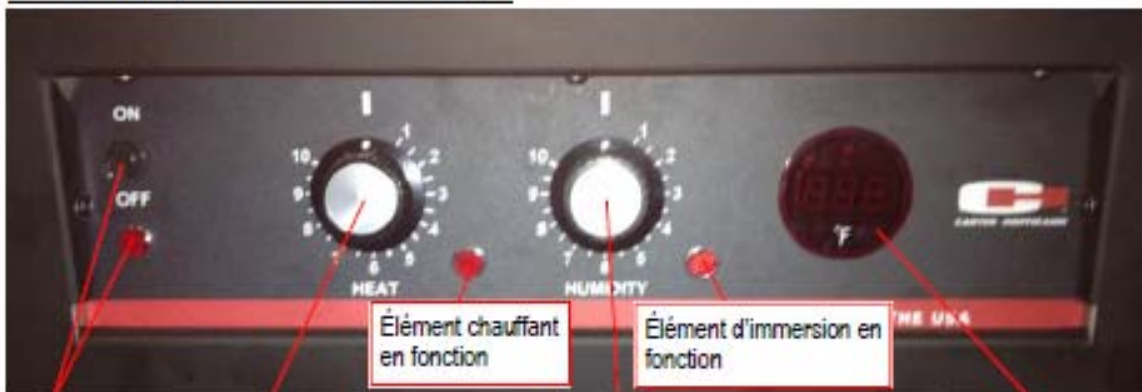


Interrupteur
MARCHE/ARRÊT
avec témoin lumineux

Contrôle de la chaleur. Niveau 1 (basse température) à 10
(haute température)

Thermomètre digital

Réchauds/étuves des séries HL2 & HL4



Interrupteur
MARCHE/ARRÊT
avec témoin lumineux

Contrôle de la chaleur. Niveau 1
(basse température) à 10 (haute
température)

Contrôle de l'humidité. Niveau 1
(faible taux d'humidité) à 10 (haut
taux d'humidité)

Thermomètre digital

BACS D'EAU—HL2 & HL4



Bassin d'eau (remplissage manuel): vérifiez et remplissez
toutes les 2 heures si vous utilisez l'humidité

Gouttière: récupère et dépose la condensation dans le
bac sous l'appareil

Bac de condensation: surveillez et videz régulièrement

OPÉRATION—HL1 & HL3 HB CABINETS RÉCHAUDS



ATTENTION: SURFACES CHAUDS

Les surfaces intérieures et extérieures de l'appareil sont très chaudes pendant et après l'utilisation.

Évitez de toucher à l'armoire lors du chargement ou déchargement de produits.

Plage de température de fonctionnement :
90°F-190°F

**Pour des raisons de sécurité alimentaire, il est recommandé que le maintien de la température soit fixée à 140°F (60°C) ou plus.*

PREMIÈRE UTILISATION

Avant d'utiliser l'appareil, familiarisez-vous avec les commandes de température. Voir page 9 pour plus de détails. Branchez le boîtier sur une source d'alimentation sûre. Voir les spécifications électriques à la page 8.

RÉCHAUD

1. Démarrez l'appareil en utilisant l'interrupteur d'alimentation situé à l'extrême gauche du panneau de commande. Une fois que le commutateur est activé, le voyant d'alimentation s'allume.
2. Pour ajuster la température, tournez la molette dans le sens horaire pour augmenter la CHALEUR et dans le sens antihoraire pour diminuer la température. Les paramètres de numérotation varient de 1 à 10, 1 étant la température la plus basse et 10 étant la température la plus élevée. Un témoin lumineux s'allume lorsque l'élément chauffant est en fonction et s'éteint lorsque celui-ci a atteint la température.
3. Attendez environ 25 minutes pour le préchauffage. Le thermomètre numérique sur le côté droit du panneau de commande affiche la température* réelle à l'intérieur de l'appareil.
4. Chargez les aliments dans le réchaud. REMARQUE: Suivez toutes les consignes de sécurité alimentaire. Mettre des aliments chauds cuits dans l'appareil. Ce cabinet n'est pas destiné à réchauffer les aliments. Les aliments doivent être cuits et à une température sécuritaire avant d'être placé dans le réchaud.
5. Lorsque vous retirez des aliments, commencez par le bas et travaillez vers le haut. Cela permet de garder la nourriture chaude et d'éliminer les risque de déversements sur les articles situés en-dessous.

* REMARQUE: Lorsque vous utilisez l'option de chauffage 120V, 1550 watts, basse température, le thermostat de température de l'air doit être réglé sur au moins 9 sur le cadran pour s'assurer que l'armoire atteint une température de maintien appropriée.



OPÉRATION—HL2 & HL4 HW RÉCHAUDS/ÉTUVES



ATTENTION: SURFACES CHAUDS

Les surfaces intérieures et extérieures de l'appareil sont très chaudes pendant et après l'utilisation.

Évitez de toucher à l'armoire lors du chargement ou déchargement de pro-

Plage de fonctionnement:

- Température:
90°F-190°F (32°C to 88°C)
- Humidité: 0-90%RH

Bassin d'eau:

Lorsque vous utilisez le bassin d'eau, vérifiez le niveau de l'eau toutes les 2 heures et remplir si nécessaire.



ATTENTION; RISQUES LIÉS À L'EAU

Une gouttière est situé au bas de l'appareil pour recueillir et diriger la condensation dans un bac en plastique noir. Assurez-vous de vérifier périodiquement et de vider le plat pour éviter un débordement.

**Pour des raisons de sécurité alimentaire, il est recommandé que le maintien de la température soit fixée à 140°F (60°C) ou plus.*

* REMARQUE: Lorsque vous utilisez l'option de chauffage 120V, 1550 watts, basse température, le thermostat de température de l'air doit être réglé sur au moins 9 sur le cadran pour s'assurer que l'armoire atteint une température de maintien appropriée.

PREMIÈRE UTILISATION

Avant d'utiliser l'appareil, familiarisez-vous avec les commandes de température. Voir page 9 pour plus de détails. Branchez le boîtier sur une source d'alimentation sûre. Voir les spécifications électriques à la page 8.

RÉCHAUD

1. Si l'humidité est souhaitée, un bac à eau est situé en bas de l'appareil. Ce bac procure une humidification active jusqu'à 90% HR (selon la température). Remplissez le bac avec de l'eau propre et chaude. REMARQUE: Le cabinet peut également être utilisé sans eau.
2. Démarrez l'appareil en utilisant l'interrupteur d'alimentation situé à l'extrême gauche du panneau de commande. Une fois que le commutateur est activé, le voyant d'alimentation s'allume.
3. Pour ajuster la température, tournez la molette dans le sens horaire pour augmenter la CHALEUR et dans le sens antihoraire pour diminuer la température. Les paramètres de numérotation varient de 1 à 10, 1 étant la température la plus basse et 10 étant la température la plus élevée. Un témoin lumineux s'allume lorsque l'élément chauffant est en fonction et s'éteint lorsque celui-ci à atteint la température.
4. Pour ajuster l'humidité, tournez la molette dans le sens horaire pour augmenter l'humidité et antihoraire pour la diminuer. Si aucune humidité est nécessaire, laissez le cadran à ARRÊT.
5. Attendez environ 25 minutes pour le préchauffage. Le thermomètre numérique sur le côté droit du panneau de commande affiche la température* réelle à l'intérieur de l'appareil.
6. Chargez les aliments dans le réchaud. REMARQUE: Suivez toutes les consignes de sécurité alimentaire. Mettre des aliments chauds et cuits dans l'appareil. Ce cabinet n'est pas destiné à réchauffer les aliments. Ceux-ci doivent être cuits et à une température sécuritaire avant d'être placé dans le réchaud.
7. Lorsque vous retirez des aliments, commencez par le bas et travaillez vers le haut. Cela permet de garder la nourriture chaude et d'éliminer les risque de déversements sur les articles situés en-dessous.

ÉTUVE

1. Suivez les étapes ci-dessus. Remarque: le bassin d'eau doit contenir de l'eau propre et chaude.
2. Pour étuver, ajuster la température à 5-6 (environ 90°F à 100°F, 32 °C à 38 °C) et l'humidité à 10 (90%+ RH).
3. Attendez environ 25 minutes pour le préchauffage.

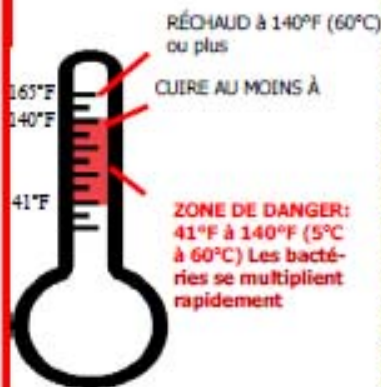


GUIDE DE CONSERVATION DES ALIMENTS DANS UN RÉCHAUD



ATTENTION: BONNE CONSERVATION DES ALIMENTS RECOMMANDÉE

La cuisson des aliments à une température sécuritaire et le maintien à une température d'au moins 140°F (60°C) est essentiel dans la prévention des maladies d'origine alimentaire. Ne gardez que des aliments cuits dans le réchaud. Ce cabinet n'est pas destiné à cuire ou réchauffer des aliments. Les aliments doivent être à la température appropriée avant d'être placé dans le réchaud.



NOTE: Les temps et les températures ont été observés dans un environnement de cuisine d'essai. Les temps et les températures peuvent varier en fonction de la qualité des aliments initiale, la température initiale et les attentes des utilisateurs.

PRODUIT	TEMPÉRATURE (°F/°C)	TEMPS MAXIMUM (MINUTES)
Bacon, Canadien	180°F / 82°C	30
Bacon, Croustillant (à découvert)	180°F / 82°C	30
Pomme de terre cuite au four	180°F / 82°C	60
Biscuit de campagne	170°F / 77°C	60
Casseroles	175°F / 79°C	90
Côtelettes, viandes tranchées	160°F / 71°C	60
Poulet frit (à découvert)	170°F / 77°C	30
Poitrines de poulet désossées	175°F / 79°C	60
Croquettes de poulet (à découvert)	190°F / 88°C	25
Galettes de poulet précuites	150°F / 66°C	90
Gâteau pause-café (à découvert)	170°F / 77°C	60
Biscuits (à découvert)	175°F / 79°C	90
Pattes de crabe	160°F / 71°C	45
Croissants	170°F / 77°C	45
Oeuf	160°F / 71°C	45
Poisson frit (à découvert)	170°F / 77°C	30
Poisson cuit	155°F / 68°C	45
Poisson grillé	155°F / 68°C	45
Pain perdu	165°F / 74°C	60
Sauces	170°F / 77°C	45
Hamburgers / Galettes de viande hachée	180°F / 82°C	45
Hot Dogs	180°F / 82°C	90
Muffins	170°F / 77°C	60
Omelettes	160°F / 71°C	30
Crêpes	180°F / 82°C	30
Pâtes	175°F / 79°C	60
Pâtisserie	165°F / 74°C	30
Pizza (à découvert)	180°F / 82°C	15
Pizza (dans sa boîte)	180°F / 82°C	60
Piment jalapenos frit (à découvert)	190°F / 88°C	25
Poulet entier	175°F / 79°C	60
Poulet avec os (cuisse/poitrine)	175°F / 79°C	60
Côtes levées	175°F / 79°C	90
Riz	175°F / 79°C	30
Rôti / Viande avec os	165°F / 74°C	90
Saucisses	180°F / 82°C	90
Crevette / fruits de mer	150°F / 66°C	60
Soupes (bouillon)	185°F / 85°C	90
Tortillas (souple)	180°F / 82°C	60
Legumes	175°F / 79°C	45

PROCÉDURES DE NETTOYAGE QUOTIDIEN



ATTENTION: RISQUE D'ÉLEC- TROCUTION

Coupez l'alimentation électrique avant de nettoyer l'appareil.



ATTENTION: SURFACE CHAUDE

Les surfaces peuvent être chaudes et peuvent causer des brûlures. Laissez l'appareil refroidir avant de le nettoyer.



IMPORTANT:

NE PAS renverser ou verser d'eau dans les contrôles, panneau de contrôle ou le câblage.
Les dommages causés par l'eau ne sont pas couverts par la garantie.



ATTENTION:

Méfiez-vous des bords coupants pendant le nettoyage.

1. Après que tous les produits alimentaires ont été retirés du réchaud, mettez l'interrupteur d'alimentation sur "ARRÊT" et laissez le cabinet refroidir complètement.
2. Débranchez l'appareil avant toute opération de nettoyage.
3. Retirez les supports.
4. Assurez-vous que le cordon d'alimentation n'est pas sur le crochet. Ouvrez la porte du cabinet et videz le réservoir d'eau. Retirez le module de chauffage en soulevant l'avant suffisamment pour dégager son cran, puis tirez le module hors de la chambre. Le câble d'alimentation se glissera à travers le trou d'accès à l'arrière du réchaud.
5. Inspectez et nettoyez les zones où il ya des événements ou des filtres en veillant à ce que l'eau ne pénètre pas dans les contrôles internes ou les zones électriques.
6. Nettoyez l'intérieur du réchaud ainsi que les pièces démontées. Réinstallez lorsque toutes les pièces sont propres et sèches. Videz et nettoyez le bac de condensation en plastique noir.
7. Une solution de deux cuillères à soupe de bicarbonate de soude par litre d'eau chaude est suffisant pour la plupart des tâches de nettoyage. Du savon ou un détergent doux peut être utilisé sur les endroits très sales: suivre les recommandations du fabricant.
8. Si le réchaud a une porte en verre, nettoyez avec un nettoyant pour fenêtre, en prenant soin de ne pas en mettre sur les parois en aluminium. Les dépôts tenaces peuvent être nettoyés avec un savon doux et de l'eau, puis rincer à l'eau claire. Utilisez un chiffon doux, non abrasif pour éviter de rayer la porte.
9. Le panneau de contrôle doit être lavé avec un chiffon propre, humide et non abrasif et un détergent non-chloré. Rincez soigneusement avec un chiffon propre humide et laissez sécher. Ne pas utiliser de nettoyants abrasifs, de cires ou des substances contenant des solvants ou de l'alcool. Si les boutons de commandes doivent être retirés pour le nettoyage, il suffit de tirer la poignée, nettoyez le panneau de contrôle et le bouton, puis replacez le bouton.



ATTENTION:

Ne pas utiliser de détergents forts, des alcalis, des solutions d'ammoniac ou de nettoyants abrasifs. Utilisez uniquement des produits de nettoyage approuvés pour l'aluminium. Ne pas utiliser de laine d'acier, les dépôts ferreux provoqueront de la rouille.

L'utilisation d'agents de nettoyage qui ne sont pas recommandés pour l'aluminium peut causer des dommages permanents à l'appareil. **CES DOMMAGES SONT PERMANENTS, COÛTEUX À RÉPARER ET NE SONT PAS COUVERTS PAR LA GARANTIE.**

ENTRETIEN



AVERTISSEMENT:

NE PAS effectuer ces procédures alors que le réchaud est en marche. Coupez l'alimentation et attendez que le cabinet refroidisse à température ambiante.



ATTENTION:

Déplacez l'appareil que si la porte est bien fermée. Les charnières et la porte peuvent subir de graves dommages si la porte est ouverte lors de la manipulation du réchaud.



ROULETTES

Certains réchauds peuvent être équipés de roulettes avec roulement à billes comprenant un raccord de graissage afin qu'il puisse être facilement lubrifié avec un pistolet à graisse. Lubrifiez les roulements au moins une fois tous les six mois.

CHARNIÈRES

Assurez-vous que tous les joints sont scellés et que les charnières ne collent pas. Si nécessaire, utilisez du WD-40 pour empêcher les charnières de coller. Ne pas utiliser d'huile.

INVERSION DE LA PORTE

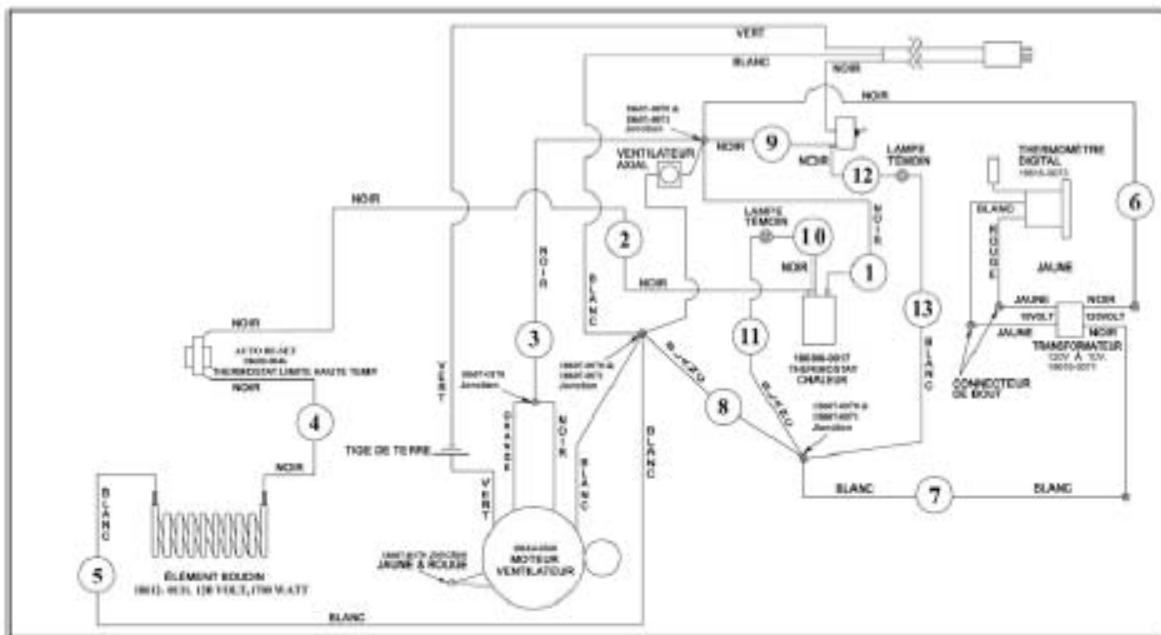
L'inversion de la porte prend environ 30 minutes et nécessite deux personnes.

1. Avec un petit tournevis, retirez les couvercles de charnières et mettez-les de côté. Le retrait des capots permettra l'accès aux vis de la charnière à l'intérieur. Retirez les trois vis qui maintiennent chaque charnière au cabinet. NE PAS RETIRER les vis qui retiennent les charnières à LA PORTE. Retirez la porte, en prenant soin de ne pas la laisser tomber.
2. Retirez la plaque de gâche et les vis adjacentes à l'ouverture de la porte du cabinet. Réinstallez la gâche de porte et les vis sur le côté opposé de l'appareil.
3. Vissez les charnières du côté opposé de la porte.
4. Avec l'aide d'une autre personne, tenez la porte au cabinet et fixez-la avec les vis retirées à l'étape un. Avant de serrer les vis, assurez-vous que la porte est encastrée, au niveau et d'équerre. Remplacez les couvre-charnières.

SCHÉMA ÉLECTRIQUE

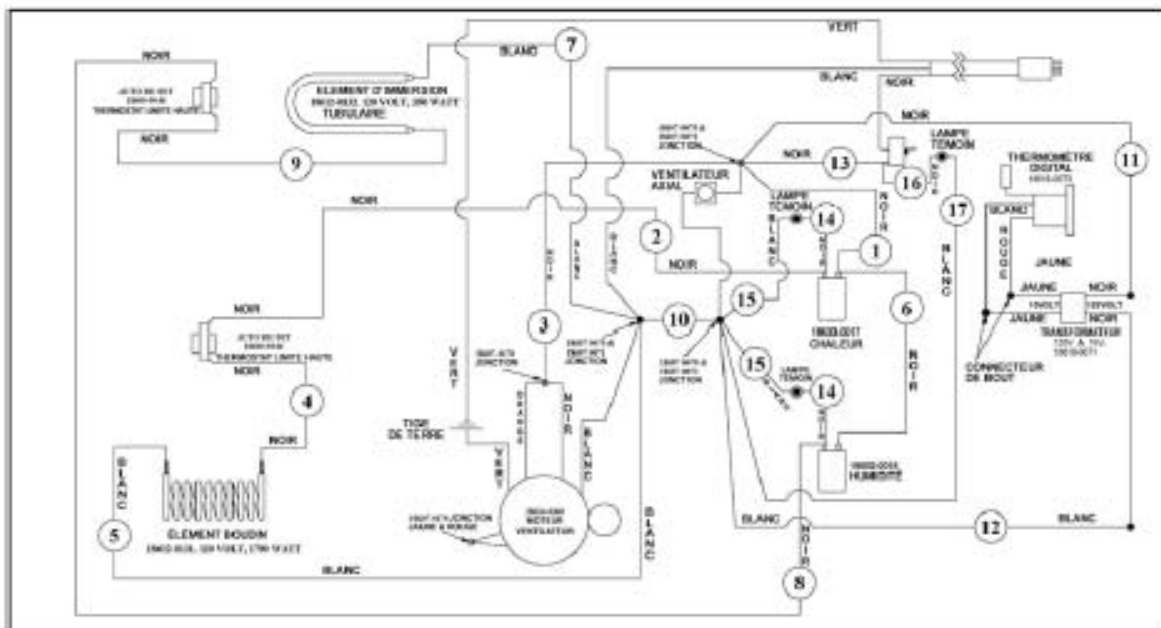
SÉRIES HL1 & HL3 HB

Voltage américain: 120 VOLT, 1800 WATT, 15 AMP, 1 PH, 60 HZ
 Voltage international: 220 VOLT, 1800 WATT, 8.2 AMP, 1 PH, 50/60 HZ



SÉRIES HL2 & HL4 HW

Voltage américain: 120 VOLT, 2100 WATT, 17.5 AMP, 1 PH
 Voltage international: 220 VOLT, 2100 WATT, 9.5 AMP, 1 PH, 50/60 HZ



PIÈCES ET COMPOSANTES

Utilisez seulement des pièces d'origine du fabricant. L'utilisation de pièces non autorisées peut causer des blessures graves ou des dommages à l'appareil. Les pièces de rechange doivent être installés par un technicien qualifié.

Contactez Carter-Hoffmann avec le modèle et le numéro de série de votre appareil pour obtenir des pièces de rechange.

Téléphone: 800-323-9793

Courriel: TechnicalService@Carter-Hoffmann.com

Numéro de pièce	Séries HL1 & HL Description
18600-0046	Thermostat limite haute température 300°F, arrêt à 250°F
18602-0083	Interrupteur Marche/Arrêt 20 Amp
18602-0031	Couvert d'interrupteur
18608-0010	Bouton - Chaleur
18605-0022	Cordon d'alimentation-8'
18606-0221	Fiche 5-20P
18612-0131	Élément 1700 watt, 120v (Américain)
18613-0136	Élément 1700 watt, 220v (International)
18616-0071	Transformateur (Américain)
18616-0074	Transformateur (International 220v)
18614-0360	Moteur du ventilateur
18614-0321	Ventilateur
18314-0019	Bac de condensation noir de 1.8 qt.
18600-0017	Thermostat
18614-0322	Ventilateur axial
18616-0073	Thermomètre digital
18616-0071	Transformateur pour thermomètre digital
18601-1171	Lampe témoin rouge

Numéro de pièce	Séries HL2 & HL4 Description
18600-0046	Thermostat limite haute température 300°F, arrêt à 250°F
18602-0083	Interrupteur Marche/Arrêt 20 Amp
18602-0031	Couvert d'interrupteur
18608-0010	Bouton - Chaleur et Humidité
18605-0022	Cordon d'alimentation—8'
18606-0221	Fiche 5-20P
18612-0131	Élément 1700 watt, 120v (Américain)
18613-0136	Élément 1700 watt, 220v (International)
18612-0132	Élément immersion 350 watt, 120v (Américain)
18612-0137	Élément immersion 350 watt, 220v (International)
18616-0071	Transformateur (Américain)
18616-0074	Transformateur (International 220v)
18614-0322	Ventilateur axial
18614-0360	Moteur du ventilateur
18614-0321	Ventilateur
18314-0019	Bac de condensation noir de 1.8 qt.
18600-0017	Thermostat - chaleur
18600-0016	Thermostat - humidité
18616-0073	Thermomètre digital
18616-0071	Transformateur pour thermomètre digital
18601-1171	Lampe témoin rouge

GUIDE DE DÉPANNAGE

PROBLÈME	CAUSE POSSIBLE	SOLUTIONS
Ne démarre pas	L'appareil n'est pas branché	Branchez l'appareil
	Le cordon d'alimentation est endommagé	Vérifiez - remplacez au besoin
	Le disjoncteur est déclenché	Vérifiez le disjoncteur
	L'interrupteur est défectueux	Vérifiez - remplacez au besoin
Les aliments s'assèchent	La température des aliments est trop élevée	Vérifiez la température des aliments avant de les mettre dans le réchaud; couvrez les aliments
	Contrôles mal réglés ou défectueux	Vérifiez la calibration de l'appareil
L'appareil est sous tension, les moteurs sont en marche mais pas de chaleur	Erreur de câblage interne	Appelez un agent de service
	Éléments ou thermostat défectueux	Appelez un agent de service
Prend trop de temps à atteindre la bonne température	Mauvais voltage	Appelez un agent de service pour vérifier le voltage ainsi que les spécifications de l'appareil.
L'appareil est chaud mais peu ou pas de circulation d'air	Erreur de câblage interne	Appelez un agent de service
	Le moteur du ventilateur ne fonctionne plus	Appelez un agent de service
	Mauvais voltage	Appelez un agent de service pour vérifier le voltage ainsi que les spécifications de l'appareil.

NOTE:

Le contenu technique de ce manuel, y compris les schémas électriques, schémas, illustrations, procédures d'ajustement, est destiné à être utilisé par un professionnel qualifié seulement.

NOTE:

Pour obtenir du service sous garantie, appelez Carter-Hoffmann au 800-323-9793 afin d'obtenir une autorisation. Nous enverrons l'agence de service la plus près.

3 ANS DE GARANTIE sur LES RÉCHAUDS HOTLOGIX

Garantie Carter-Hoffmann:

Carter-Hoffmann (CARTER-HOFFMANN) garantit à l'acheteur initial de ses produit que CARTER-HOFFMANN pourra, à son choix, réparer ou remplacer, pendant la période de garantie indiquée ci-dessous, une partie de ces produits rendues nécessaires en raison d'un défaut de matériau ou de fabrication qui est présent lorsque le produit quitte son usine et qui se manifeste au cours de la période de garantie sous des conditions d'utilisation et de service normales.

Cette garantie s'applique uniquement aux équipements d'origine appartenant et en la possession de l'acheteur initial et la période de garantie commence à la date de livraison d'origine de l'usine CARTER-HOFFMANN et se détail comme suit: 12 mois sur les pièces et la main d'oeuvre (36 mois sur les réchauds hotLOGIX (niveau HL3 à HL10), et les fours/réchauds), 1 an sur le compresseur de réfrigération (limitée au remplacement de la pièce seulement - ne pas inclure le travail pour l'enlèvement, la réparation ou le remplacement).

La réparation ou le remplacement sous cette garantie sera effectué, sauf autorisation contraire par écrit de CARTER-HOFFMANN, dans son usine. Toutes les pièces ou composantes devant être réparées ou remplacées sous cette garantie doivent être expédiées port payé à CARTER-HOFFMANN, un crédit de remboursement sera émis si la pièce est reconnue défectueuse par CARTER-HOFFMANN.

CARTER-HOFFMANN fait ni ne suppose et n'autorise aucune autre personne à faire et d'assumer aucune obligation ou responsabilité en rapport avec ses produits autres que ceux couverts par cette garantie. Cette garantie s'applique uniquement dans le territoire continental des États-Unis et au Canada. En Alaska et Hawaï, cette garantie se limite à la fourniture de pièces de rechange.

Exclusions et limitations de la garantie :

Toute garantie implicite de qualité marchande ou d'adéquation à un usage particulier est par la présente expressément déclinée par CARTER-HOFFMANN. Il n'existe aucune garantie, expresse ou implicite, qui s'étende au-delà de la description ci-dessus. Cette garantie ne couvre pas et CARTER-HOFFMANN ne peut en aucun cas être tenue responsable des dommages accessoires, indirects ou autres (tels que les blessures aux personnes ou aux biens, perte de temps, inconvénients, perte commerciale ou de bénéfices, ou d'autres questions ne sont pas spécifiquement couverts) découlant en relation avec l'utilisation ou l'impossibilité d'utiliser, ou de l'échec de ces produits.

Spécifications sujettes à modifications par l'amélioration des produits et l'innovation.

Carter-Hoffmann

1551 McCormick Ave.
Mundelein, Illinois, 60060 USA

Téléphone: 847-362-5500 Sans frais: 800-323-9793 Fax: 847-367-8981

Courriel Ventes & Marketing: sales@carter-hoffmann.com

Courriel Service: technicalservice@carter-hoffmann.com

Site web: www.carter-hoffmann.com

CFESA

Fier Membre

NAFEM
North American Association of
Food Equipment Manufacturers