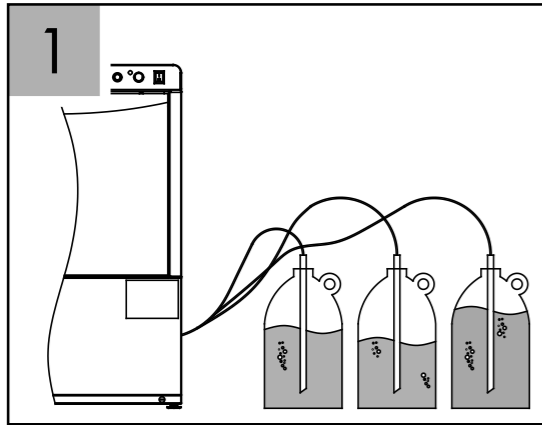
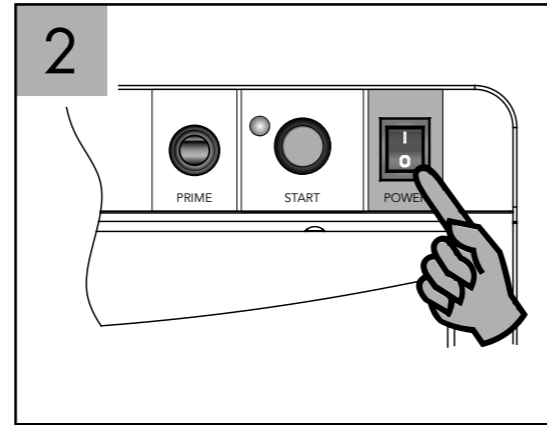


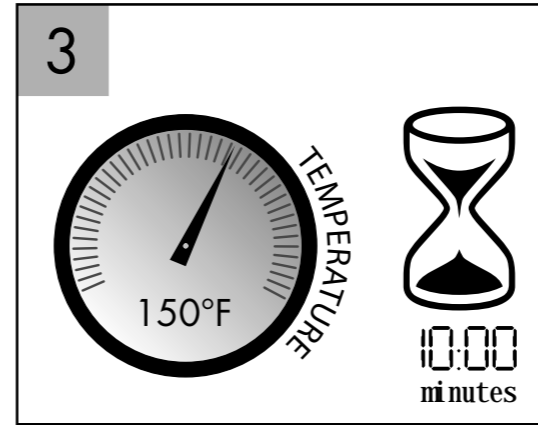
DAILY OPERATION



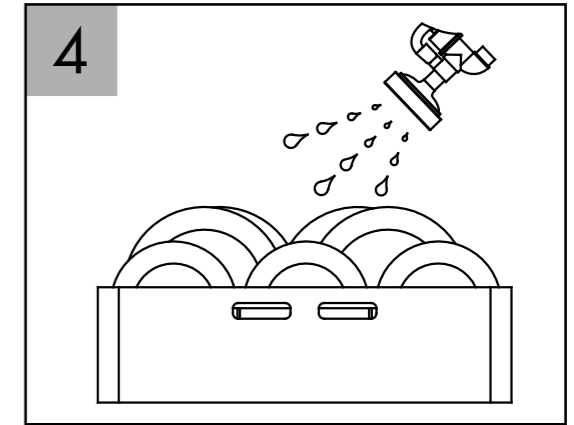
1
Check chemical levels
in containers



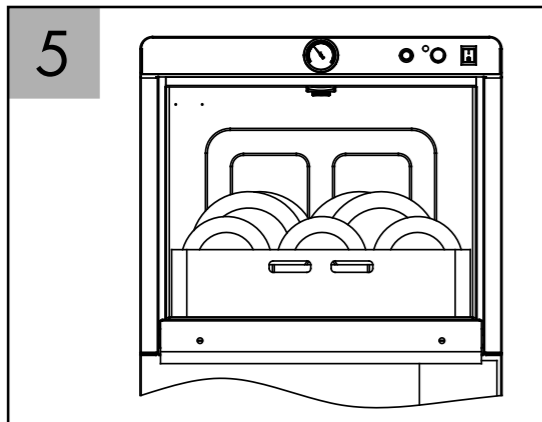
2
Flip "ON/OFF" switch
to "ON" position



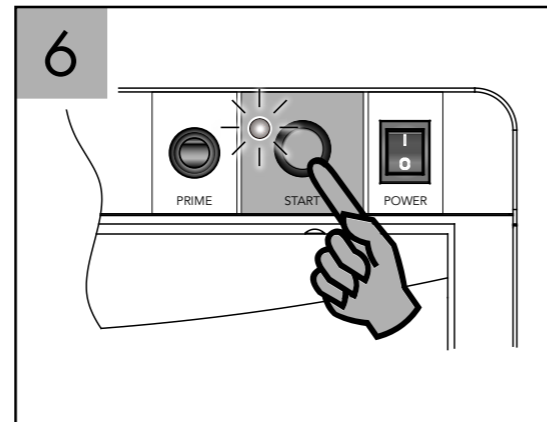
3
Wait 10 minutes for
temperature gauge to read
150°F/66°C.



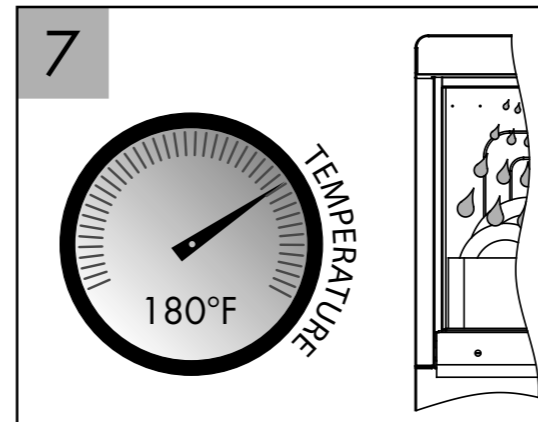
4
Prescrap wears and load
into rack



5
Load rack into dishwasher



6
Close door, press and hold
"START" button for 1 second
and green in-cycle light will
come on



7
Final rinse temperature should
be a minimum of 180°F/82°C
during the final rinse.
(140°F/60°C for low temp. model)

Wash cycle is extended if
the final rinse water is not
up to 180°F/82°C on high
temperature models only.
For low temperature
machines, sanitizer is
automatically injected
to ensure sanitation.

**CYCLE IS COMPLETE
WHEN GREEN LIGHT
GOES OUT.**