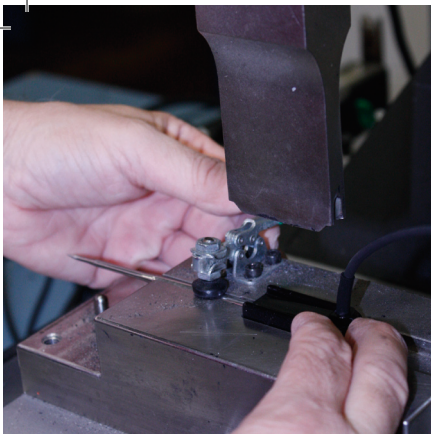
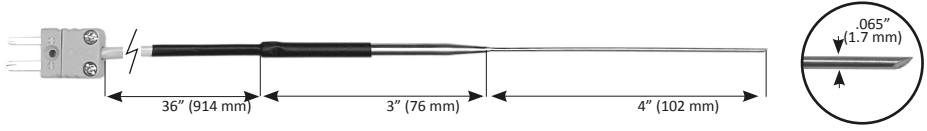
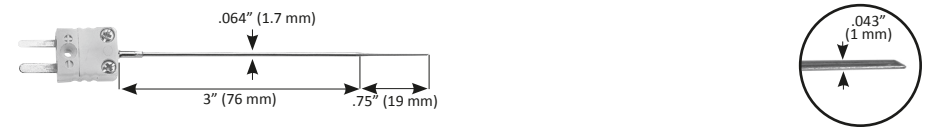
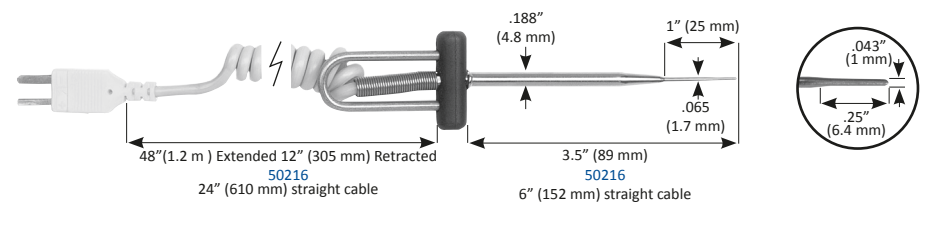
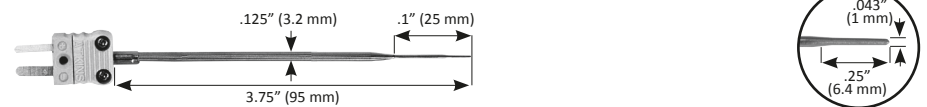
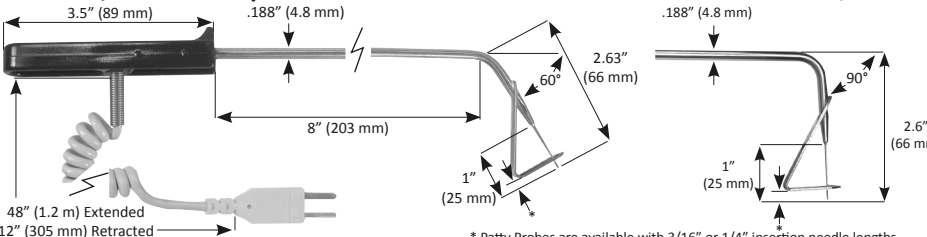
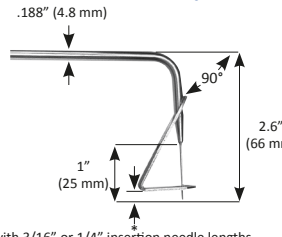


# FINE-TIP INSERTION PROBES

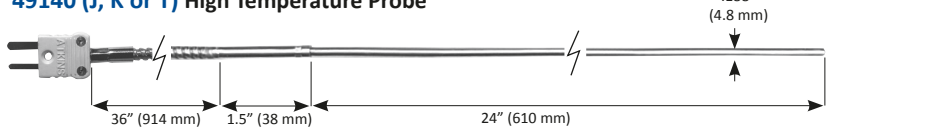
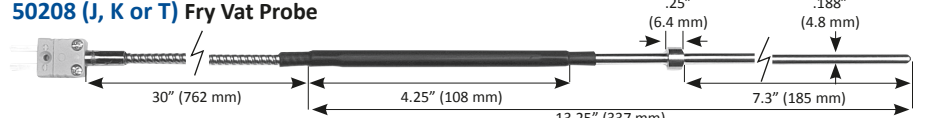
These insertion probes are designed to provide the quickest response with minimal impact on products. Ideal for small, semi-solid or liquid products such as hamburger patties, shrimp and mushrooms, or for sous-vide applications. Fine probe tips are fragile and should only be used by trained personnel. Use caution and avoid excessive force when inserting the probe.



<p><b>49122 (J, K or T) Ultra Fine Product Probe - Chisel Tip</b></p> 	<p>Temp. Range: -100° to 500°F (-73° to 260°C)            Max Tip Temp: 500°F (260°C)            Max Cable Temp: 221°F (105°C)            Response Time: 3 seconds, liquid            Unit Weight: 1 oz (28 g)  <b>Flexible Cable with PVC Jacket</b>  <b>Note: Do not use in highly acidic or alkaline products such as citrus and tomato products.</b></p>
<p><b>50207 (J, K or T) MicroNeedle - Chisel Tip - Direct Connect</b></p> 	<p>Temp. Range: -100° to 500°F (-73° to 260°C)            Max Tip Temp: 500°F (260°C)            Response Time: 1 second, liquid            Unit Weight: .5 oz (14 g)  <b>Note: Do not use in highly acidic or alkaline products such as citrus and tomato products.</b></p>
<p><b>50209 (J, K or T)/ 50216 MicroNeedle - Rounded Tip</b></p> 	<p><b>50209- Coiled Cable</b>            Temp. Range: -100° to 500°F (-73° to 260°C)            Max Tip Temp: 500°F (260°C)            Max Cable Temp: 176°F (80°C)            Max Handle Temp: 280°F (138°C)            Response Time: 1 second, liquid            Unit Weight: 2 oz (57 g)  <b>Coiled Retractable Cable</b></p> <p><b>50216- Micro Needle - Straight Cable</b>            Max Cable Temp: 400°F (205°C)            Unit Weight: 1.5 oz (43 g)  <b>Flexible Cable with Fluoroelastomer Outer Jacket</b></p>
<p><b>50210-K MicroNeedle - Direct Connect</b></p> 	<p>Temp. Range: -100° to 500°F (-73° to 260°C)            Max Tip Temp: 500°F (260°C)            Response Time: 1 second, liquid            Unit Weight: .5 oz (14 g)</p>
<p><b>50263-K / 50264-K Patty Probe</b></p>  <p><b>50293-K / 50294-K</b></p>  <p>* Patty Probes are available with 3/16" or 1/4" insertion needle lengths.</p>	<p><b>50263-K / 50264-K 60° Angle</b>  <b>50293-K / 50294-K 90° Angle</b>            Temp. Range: -100° to 500°F (-73° to 260°C)            Max Tip Temp: 500°F (260°C)            Max Cable Temp: 176° (80°C)            Max Handle Temp: 400°F (205°C)            Response Time: 1 second, liquid            Unit Weight: 3 oz (85 g)  <b>Coiled Retractable Cable</b></p>

# VAT PROBES

Designed for immersion temperatures and ideal for continuous monitoring of the cooking process. Ideal for monitoring deep fryers, large kettle cooking and vat temperatures.

<p><b>49140 (J, K or T) High Temperature Probe</b></p> 	<p>Temp. Range: 32° to 2012°F (0° to 1100°C)            Max Tip Temp: 2012°F (1100°C)            Max Cable Temp: 400°F (205°C)            Response Time: 2 seconds, liquid            Unit Weight: 6 oz (170 g)  <b>Flexible Armored Cable</b></p>
<p><b>50208 (J, K or T) Fry Vat Probe</b></p> 	<p>Temp. Range: -40° to 400°F (-40° to 205°C)            Max Tip/Cable Temp: 400°F (205°C)            Response Time: 8 seconds, liquid            Unit Weight: 3 oz (85 g)  <b>Flexible Armored Cable</b></p>

