



Gas Stock Pot Range

A Professional Line of Commercial Cooking Equipment

Model: CULCTSP1NG

EQUIPMENT THAT DOMINATES
For Culinary Professionals



CULCTSP1NG

Gas Stock Pot Range

The professional line of gas cooking equipment from CULITEK is a must have for any foodservice commercial kitchen. Our stock pot burner is constructed of stainless steel with a heavy duty cast iron grate that is built to last! Its small footprint allows you to cook efficiently, while taking up minimal space in your kitchen. The low-profile design makes it the perfect match to the demands of batch cooking of soups, chili, stocks, stews, pastas, sauces, and other delicious dishes. ETL Listed and ETL Sanitation, these units are backed by a 1-year warranty.

STANDARD FEATURES

- Stainless steel construction
- 80,000 BTU
- Two gas valves with standing pilot for instant ignition
- High output, gas powered for operators requiring all day long use—breakfast, lunch and dinner
- Heavy duty 1⁷/₈" thick removable cast iron top grate
- Removable crumb tray for easy cleaning
- 3/4" rear NPT gas inlet
- 6" adjustable legs

Standard Features

- Stainless steel construction for extra durability
- Two standing pilot lights for instant ignition
- Removable crumb tray
- 3/4" NPT rear gas connection and pressure regulator
- 6" adjustable legs
- ETL listed and ETL sanitation

Stock Pot Range Configurations

- 18" stock pot range with a 3-ring burner assembly for maximum heat output
- 80,000 BTU
- Lift-off, heavy duty 1⁷/₈" thick cast iron top grate
- Field convertible to liquid propane (LP)



Attention CA Residents PROP 65 WARNING

This product can expose you to chemicals, including lead, which are known to the State of California to cause cancer, birth defects, or other reproductive harm.

For more information, go to www.P65warnings.ca.gov

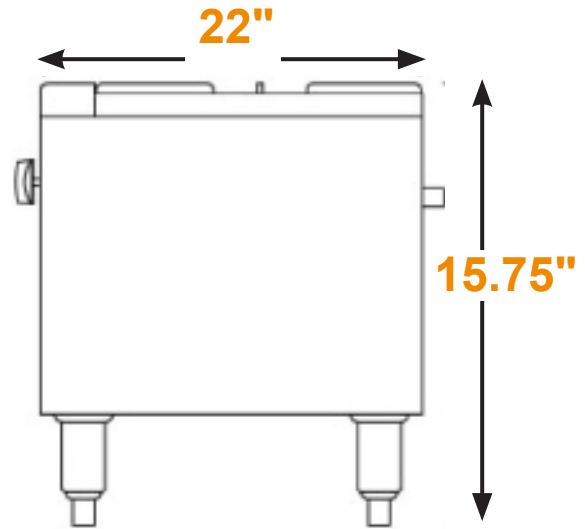
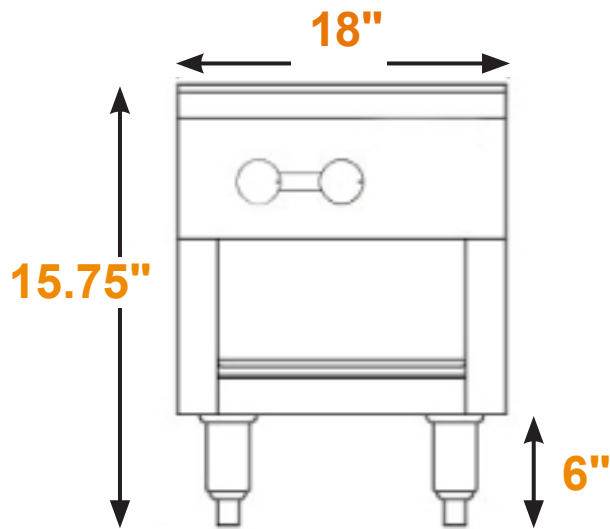
MADE IN CHINA



Gas Stock Pot Range Specifications

A Professional Line of Commercial Cooking Equipment

CULCTSP1NG



| STOCK POT RANGE | CULCTSP1NG |
|---------------------|---|
| Total BTU | 80,000 |
| Number of Burners | 1 |
| Overall Dimensions | 18"W x 22"D x 21 ³ / ₄ "H |
| Net Weight | 103 |
| Gross Weight | 139 |
| Shipping Dimensions | 28"W x 24"D x 24"H |