

# N8200-ST

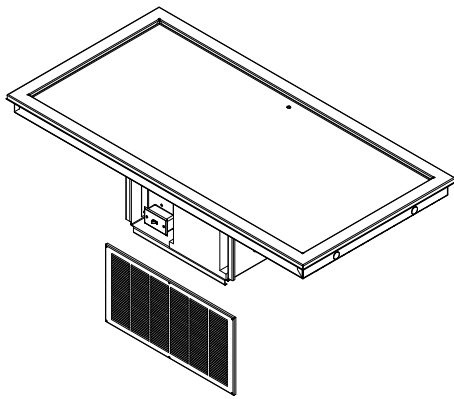
Drop-In Self-Contained Sheet Pan Frost Top

Project: \_\_\_\_\_  
 Item: \_\_\_\_\_  
 Quantity: \_\_\_\_\_  
 CSI Section: 114800  
 Approved: \_\_\_\_\_  
 Date: \_\_\_\_\_

N8200-ST: Drop-In Self-Contained Frost Top

## Models

- N8230-ST 30" length self-contained frost top - holds 1 sheet pan
- N8240-ST 40" length self-contained frost top - holds 2 sheet pans (tall left to right)
- N8256-ST 56" length self-contained frost top - holds 2 sheet pans (long left to right)
- N8258-ST 58" length self-contained frost top - holds 3 sheet pans (tall left to right)
- N8275-ST 75" length self-contained frost top - holds 4 sheet pans (tall left to right)



N8258-ST

## Standard Features

- Polyurethane foam insulation
- On/off switch
- Environmentally friendly HFC-404A refrigerant
- 1/2" drain connection
- Stainless steel louver provided
- Push-in perimeter gasket

## Options & Accessories

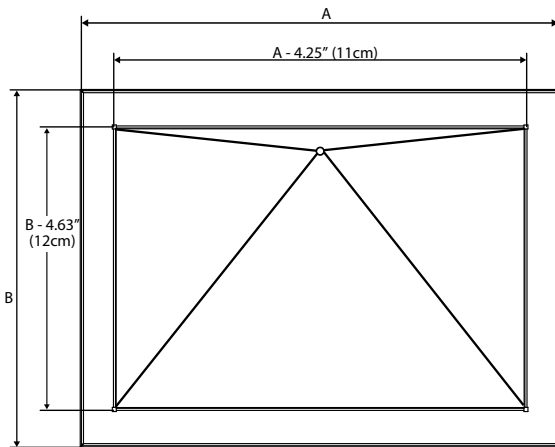
- Single or double service flip-up sneezeguards
  - Relocate compressor
  - 220V/50 cycle electrical system\*
  - Remote toggle switch assembly (shipped loose) (AS000-473-003W)
- \* Inclusion of this option will alter electrical specifications of the unit

## Specifications

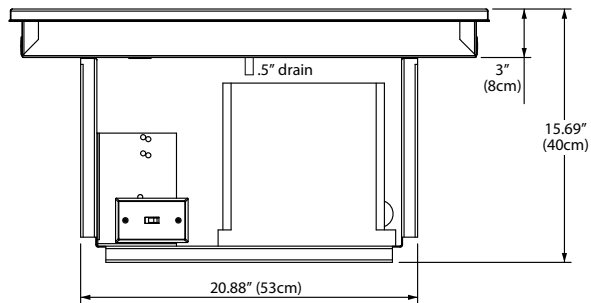
Top is one-piece, heavy-gauge stainless steel. Top is recessed .75" (1.9cm) above counter surface. Refrigeration lines are secured to the underside of the top and insulated with high-density, environmentally friendly, Kyoto Protocol Compliant, Non ODP (Ozone Depletion Potential), Non GWP (Global Warming Potential) closed-cell polyurethane. Exterior housing is heavy-gauge galvanized steel.

Condensing unit is suspended below the frost top on a heavy-gauge steel frame. Condensing unit uses HFC-404a refrigerant. Unit has an ON/OFF toggle switch, an 8' (2.4m) cord and NEMA 5-15 plug. Unit has (1) stainless steel louver provided for field installation; cutout dimensions are 12.00" x 23.50" (30cm x 60cm). A second opening at the rear of the cabinet must be provided at installation to allow for proper air circulation.

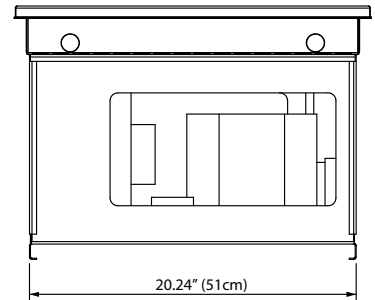




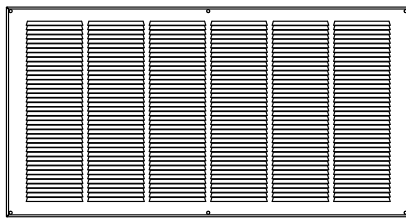
Plan View  
N8200-ST Models



Elevation View  
N8200-ST Models



Right End View  
N8200-ST Models



Specifications							
Model	Length (A) Dimension	Width (B) Dimension	Counter Cutout Dimension	V/Hz/Ph	H.P.	Amps	Ship Weight
N8230-ST	29.60" (75cm)	22" (56cm)	28.60" x 21.10" (73cm x 54cm)	115/60/1	1/4	7.5	142lbs/64kg
N8240-ST	39.70" (101cm)	29.60" (75cm)	38.65" x 28.75" (98cm x 73cm)	115/60/1	1/4	7.5	168lbs/76kg
N8256-ST	55.60" (141cm)	22" (56cm)	54.60" x 21.10" (139cm x 54cm)	115/60/1	1/4	7.5	193lbs/88kg
N8258-ST	57.60" (146cm)	29.60" (75cm)	56.60" x 28.75" (144cm x 73cm)	115/60/1	1/4	7.5	209lbs/95kg
N8275-ST	75.50" (192cm)	29.60" (75cm)	74.50" x 28.75" (189cm x 73cm)	115/60/1	1/4	7.5	239lbs/108kg

Welbilt reserves the right to make changes to the design or specifications without prior notice.