

# Wall Shelves

## ASSEMBLY INSTRUCTIONS

**For Wall Shelves with Pot Rack, see reverse side.**

### CAUTION

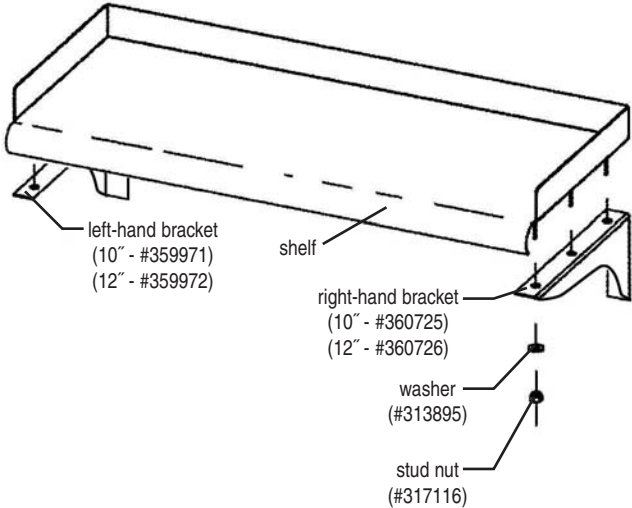
INSPECT CONTENTS IMMEDIATELY AND FILE CLAIM WITH DELIVERING CARRIER FOR ANY DAMAGE.

**SAVE YOUR BOX AND ALL PACKING MATERIALS.**

YOU ARE RESPONSIBLE FOR DAMAGE TO YOUR UNIT IF RETURNED IMPROPERLY PACKED.

### Centerline Locations

# of brackets	length of wall shelf	1st centerline	2nd centerline	3rd centerline	4th centerline	5th centerline
2	24"	22 <sup>15</sup> / <sub>16</sub> "	n/a	n/a	n/a	n/a
	36"	34 <sup>15</sup> / <sub>16</sub> "	n/a	n/a	n/a	n/a
3	48"	23 <sup>7</sup> / <sub>16</sub> "	23 <sup>7</sup> / <sub>16</sub> "	n/a	n/a	n/a
	60"	29 <sup>7</sup> / <sub>16</sub> "	29 <sup>7</sup> / <sub>16</sub> "	n/a	n/a	n/a
4	72"	23 <sup>3</sup> / <sub>16</sub> "	23 <sup>3</sup> / <sub>16</sub> "	23 <sup>3</sup> / <sub>16</sub> "	n/a	n/a
	84"	27 <sup>5</sup> / <sub>16</sub> "	27 <sup>5</sup> / <sub>16</sub> "	27 <sup>5</sup> / <sub>16</sub> "	n/a	n/a
5	96"	23 <sup>1</sup> / <sub>4</sub> "	23 <sup>1</sup> / <sub>4</sub> "	23 <sup>1</sup> / <sub>4</sub> "	23 <sup>1</sup> / <sub>4</sub> "	n/a
	102"	25 <sup>1</sup> / <sub>4</sub> "	25 <sup>1</sup> / <sub>4</sub> "	25 <sup>1</sup> / <sub>4</sub> "	25 <sup>1</sup> / <sub>4</sub> "	n/a
6	108"	21 <sup>3</sup> / <sub>8</sub> "	21 <sup>3</sup> / <sub>8</sub> "	21 <sup>3</sup> / <sub>8</sub> "	21 <sup>3</sup> / <sub>8</sub> "	21 <sup>3</sup> / <sub>8</sub> "
	120"	23 <sup>13</sup> / <sub>16</sub> "	23 <sup>13</sup> / <sub>16</sub> "	23 <sup>13</sup> / <sub>16</sub> "	23 <sup>13</sup> / <sub>16</sub> "	23 <sup>13</sup> / <sub>16</sub> "
	132"	26 <sup>3</sup> / <sub>16</sub> "	26 <sup>3</sup> / <sub>16</sub> "	26 <sup>3</sup> / <sub>16</sub> "	26 <sup>3</sup> / <sub>16</sub> "	26 <sup>3</sup> / <sub>16</sub> "
	144"	28 <sup>1</sup> / <sub>16</sub> "	28 <sup>1</sup> / <sub>16</sub> "	28 <sup>1</sup> / <sub>16</sub> "	28 <sup>1</sup> / <sub>16</sub> "	28 <sup>1</sup> / <sub>16</sub> "



### Step 1

Remove the stud nuts found on the bottom of the shelf.

### Step 2

Lay shelf on brackets and replace the stud nut.

### Step 3

Mount to wall using "Centerline Locations" chart above.



# Wall Shelves with Pot Rack

## ASSEMBLY INSTRUCTIONS

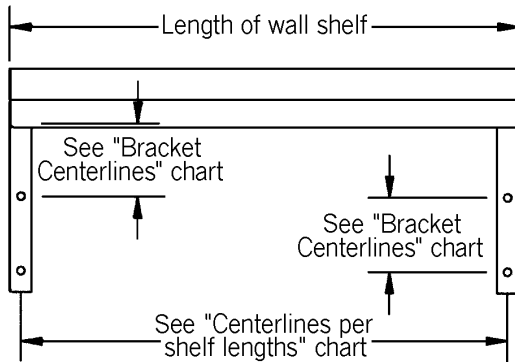
### CAUTION

INSPECT CONTENTS IMMEDIATELY AND FILE CLAIM WITH DELIVERING CARRIER FOR ANY DAMAGE.

**SAVE YOUR BOX AND ALL PACKING MATERIALS.**

YOU ARE RESPONSIBLE FOR DAMAGE TO YOUR UNIT IF RETURNED IMPROPERLY PACKED.

### Centerline Locations

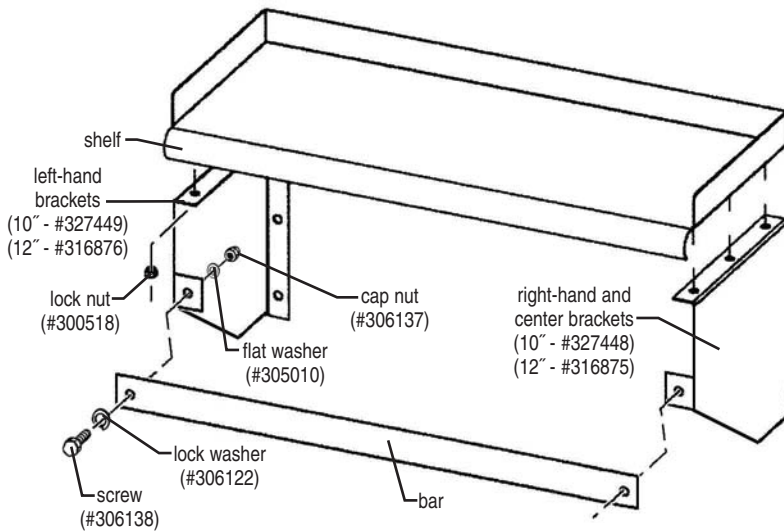


#### Centerlines per shelf lengths

# of brackets	length of wall shelf	1st centerline	2nd centerline	3rd centerline	4th centerline	5th centerline
2	36"	34 <sup>15</sup> / <sub>16</sub> "	n/a	n/a	n/a	n/a
3	48"	46 <sup>15</sup> / <sub>16</sub> "	n/a	n/a	n/a	n/a
4	60"	29 <sup>7</sup> / <sub>16</sub> "	29 <sup>7</sup> / <sub>16</sub> "	n/a	n/a	n/a
5	72"	23 <sup>3</sup> / <sub>8</sub> "	23 <sup>3</sup> / <sub>8</sub> "	23 <sup>3</sup> / <sub>8</sub> "	n/a	n/a
6	84"	27 <sup>3</sup> / <sub>8</sub> "	27 <sup>3</sup> / <sub>8</sub> "	27 <sup>3</sup> / <sub>8</sub> "	n/a	n/a
7	96"	23 <sup>3</sup> / <sub>8</sub> "	23 <sup>3</sup> / <sub>8</sub> "	23 <sup>3</sup> / <sub>8</sub> "	23 <sup>3</sup> / <sub>8</sub> "	n/a
8	102"	25 <sup>1</sup> / <sub>4</sub> "	25 <sup>1</sup> / <sub>4</sub> "	25 <sup>1</sup> / <sub>4</sub> "	25 <sup>1</sup> / <sub>4</sub> "	n/a
9	108"	21 <sup>3</sup> / <sub>8</sub> "	21 <sup>3</sup> / <sub>8</sub> "	21 <sup>3</sup> / <sub>8</sub> "	21 <sup>3</sup> / <sub>8</sub> "	21 <sup>3</sup> / <sub>8</sub> "
10	120"	23 <sup>13</sup> / <sub>16</sub> "	23 <sup>13</sup> / <sub>16</sub> "	23 <sup>13</sup> / <sub>16</sub> "	23 <sup>13</sup> / <sub>16</sub> "	23 <sup>13</sup> / <sub>16</sub> "
11	132"	26 <sup>3</sup> / <sub>16</sub> "	26 <sup>3</sup> / <sub>16</sub> "	26 <sup>3</sup> / <sub>16</sub> "	26 <sup>3</sup> / <sub>16</sub> "	26 <sup>3</sup> / <sub>16</sub> "
12	144"	28 <sup>9</sup> / <sub>16</sub> "	28 <sup>9</sup> / <sub>16</sub> "	28 <sup>9</sup> / <sub>16</sub> "	28 <sup>9</sup> / <sub>16</sub> "	28 <sup>9</sup> / <sub>16</sub> "

#### Bracket Centerlines

width of wall shelf	centerline
10"	3 <sup>1</sup> / <sub>2</sub> "
12"	4 <sup>1</sup> / <sub>2</sub> "



#### Step 1

Remove the lock nuts found on the bottom of the shelf.

#### Step 2

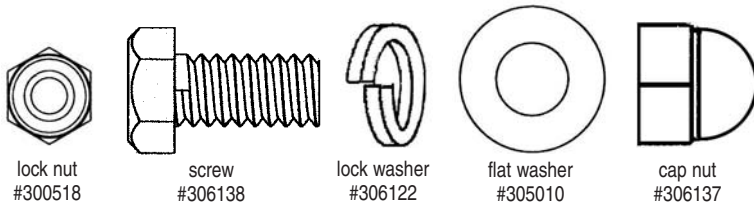
Lay shelf on brackets and replace the lock nuts.

#### Step 3

Attach front bar as shown.

#### Step 4

Mount to wall using "Centerline Locations" charts above.



(actual size of hardware)

(End)



• 100 Industrial Boulevard, Clayton, Delaware 19938-8903 U.S.A. • www.eaglegrp.com  
 • Phone: 302/653-3000 • (Foodservice) 800/441-8440 • (MHC/Retail) 800/637-5100  
 • Fax: 302/653-2065

Eagle Foodservice Equipment, Eagle MHC, SpecFAB, and Retail Display are divisions of Eagle Group. ©2008 by the Eagle Group