

APPLICATION:

JOB NAME:

QUANTITY:                      ITEM NO.

PRODUCT NAME:

**4" C/C DECK FAUCET**

SPECIAL CONFIGURATION  
CHECK BASE MODEL AND OPTIONS

- MODEL:
- 3510    W/ 6" SWING SPOUT
  - 3511    W/ 8" SWING SPOUT
  - 3512    W/ 10" SWING SPOUT
  - 3513    W/ 12" SWING SPOUT
  - 3514    W/ 14" SWING SPOUT
  - 1635    W/ 16" SWING SPOUT

- OPTIONS OR MODIFICATIONS:
- SUPPLY LINES (24" OR 36") CIRCLE LENGTH
  - DJ SUB-ASSY (7-1/4" OR 13") CIRCLE LENGTH
  - VANDAL RESISTANT KIT
  - HANDLES (CROSS OR WRIST) CIRCLE STYLE
  - OTHER \_\_\_\_\_

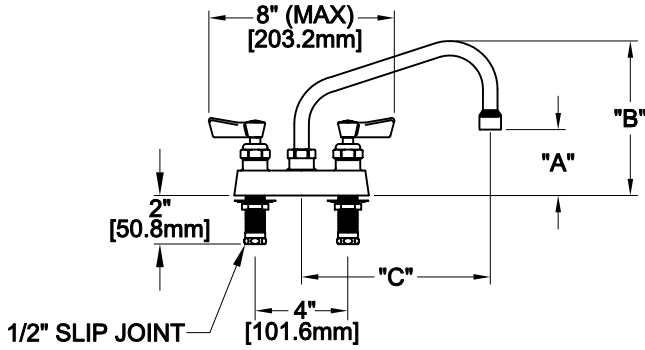
- FEATURES:
- \* 4" C/C DECK MOUNT
  - \* SWIVELING SEAT DISKS
  - \* HOT SIDE STEM - RIGHT HAND
  - \* COLD SIDE STEM - LEFT HAND
  - \* STAINLESS STEEL SEATS
  - \* STAINLESS STEEL SEAT SCREWS
  - \* STAINLESS STEEL HANDLE SCREWS
  - \* 1/2" SLIP JOINT KIT

SYSTEM LIMITS

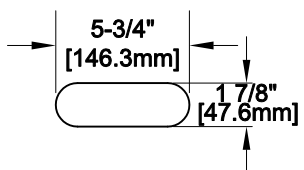
- \* TEMP: 40°F MIN. TO 140°F MAX.
- \* PRESSURE 200 PSI MAX. STATIC
- \* 2.20 GPM AT 80 PSI

SHIPPING WEIGHT

\*4.75 LBS



FOOTPRINT:



MODEL	DIM "A"	DIM "B"	DIM "C"
3510	2-3/8" [60.3mm]	6" [152.4mm]	6" [152.4mm]
3511	2-5/8" [66.7mm]	6-1/2" [165.1mm]	8" [203.2mm]
3512	3-1/4" [82.6mm]	7" [177.8mm]	10" [254.0mm]
3513	3-7/8" [98.4mm]	7-1/2" [190.5mm]	12" [304.8mm]
3514	4-1/2" [114.3mm]	8-3/8" [212.7mm]	14" [355.6mm]
1635	5-1/8" [130.2mm]	9" [228.6mm]	16" [406.4mm]

ROUGH-IN:

