

APPLICATION:

JOB NAME:

QUANTITY: ITEM NO.

PRODUCT NAME:
8" C/C BACKSPLASH FAUCET WITH EZ INSTALL ADAPTER

SPECIAL CONFIGURATION CHECK BASE MODEL AND OPTIONS

MODEL:

64734 W/ 6" SWING SPOUT

64742 W/ 8" SWING SPOUT

64750 W/ 10" SWING SPOUT

64769 W/ 12" SWING SPOUT

64777 W/ 14" SWING SPOUT

64785 W/ 16" SWING SPOUT

OPTIONS OR MODIFICATIONS:

SUPPLY LINES (24" OR 36") CIRCLE LENGTH

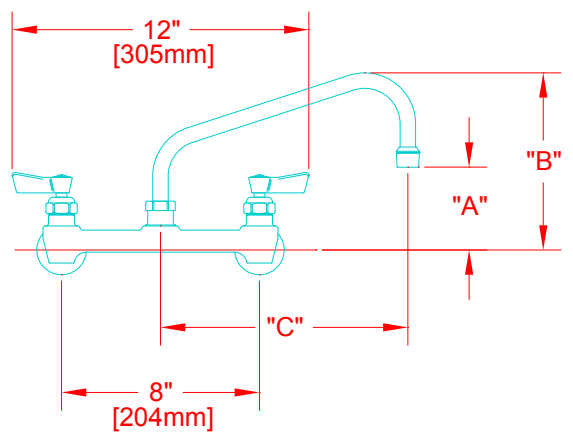
DJ SUB-ASSY (7-1/4" OR 13") CIRCLE LENGTH

ELBOWS

VANDAL RESISTANT KIT

HANDLES (CROSS OR WRIST) CIRCLE STYLE

OTHER EZ INSTALL ADAPTER



MODEL	DIM "A"	DIM "B"	DIM "C"
64734	2-1/4" [57mm]	5-7/8" [149mm]	6" [152mm]
64742	2-1/2" [64mm]	6-3/8" [162mm]	8" [204mm]
64750	3-1/8" [79mm]	6-7/8" [175mm]	10" [254mm]
64769	3-3/4" [95mm]	7-3/8" [187mm]	12" [305mm]
64777	4-3/8" [111mm]	8-1/4" [210mm]	14" [356mm]
64785	5" [127mm]	8-7/8" [225mm]	16" [406mm]

FEATURES

CONTROL VALVE

- * 8" C/C BACKSPLASH MOUNT
- * SWIVELLING SEAT DISKS
- * HOT SIDE STEM - RIGHT HAND
- * COLD SIDE STEM - LEFT HAND
- * STAINLESS STEEL SEATS
- * STAINLESS STEEL SEAT SCREWS
- * STAINLESS STEEL HANDLE SCREWS
- * 1/2" SLIP JOINT

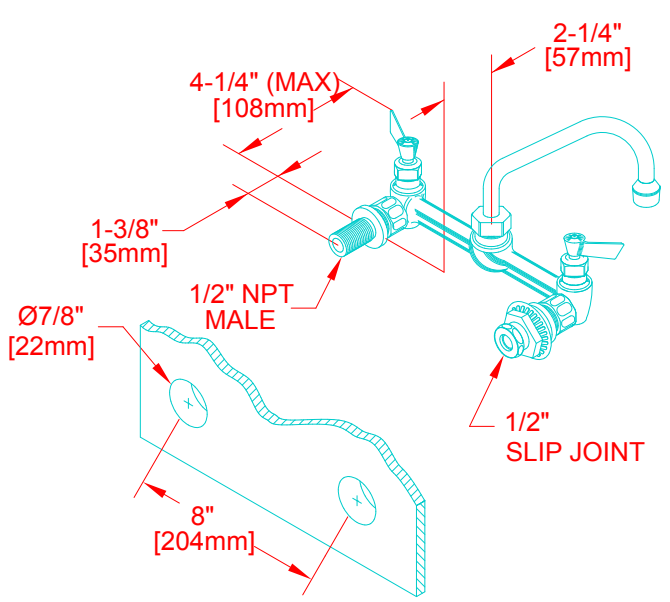
SYSTEM LIMITS

- * TEMP: 40°F MIN. TO 140°F MAX.
- * PRESSURE: 200 PSI MAX. STATIC
- * 2.20 GPM AT 80 PSI

SHIPPING WEIGHT

- * 6.0 LBS

ROUGH-IN:



FISHER
 FISHER MANUFACTURING COMPANY
 TOLL FREE: 800-421-6162 - FAX: 800-832-8238
 information@fisher-mfg.com - www.fisher-mfg.com