

APPLICATION:

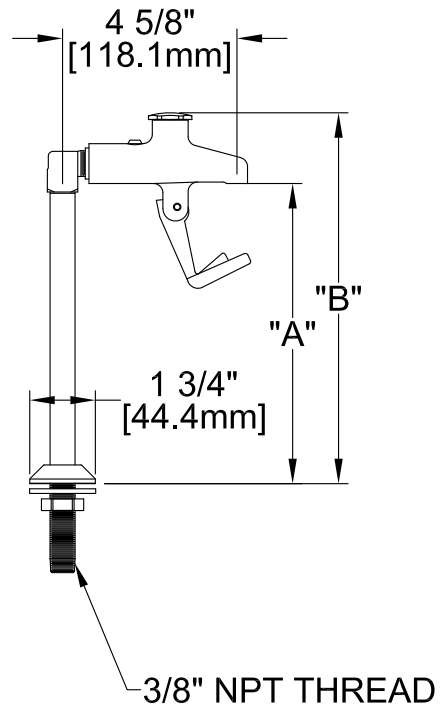
PRODUCT NAME:
GLASS FILLER

JOB NAME:

MODEL:
 1007 WITH 8" PEDESTAL
 1008 WITH 10" PEDESTAL
 12513 WITH 12" PEDESTAL
 12726 WITH 14" PEDESTAL

QUANTITY:

ITEM NO.:



OPTIONS OR MODIFICATIONS:
 OTHER _____

- FEATURES**
- * REPLACEABLE CHROME PLATED HEAD
 - * MEETS NSF 61/SEC.9**
 - * TAMPER PROOF VOLUME CONTROL
 - * HANDLES BOTH PAPER & GLASS CUPS
 - * NON-MARRING DELRIN PRONG
 - * STAINLESS STEEL SEAT SCREW
 - * STAINLESS STEEL STREAM STRAINER
- ** TESTED UNDER NSF-CSA ALLIANCE PROGRAM

SYSTEM LIMITS

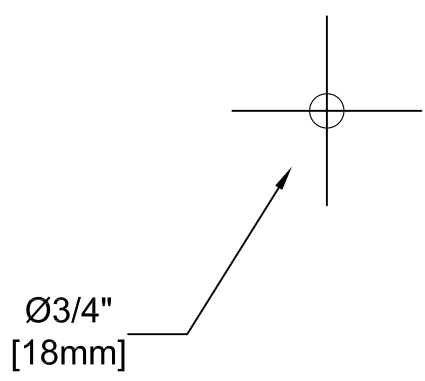
- * TEMP: 40°F MIN. TO 160°F MAX.
- * PRESSURE: 100 PSI MAX. STATIC
- * 2.2 GPM AT 80 PSI

MODEL	DIM "A"	DIM "B"
1007	8" [203mm]	9-3/4" [248mm]
1008	10" [254mm]	11-3/4" [299mm]
12513	12" [305mm]	13-3/4" [350mm]
12726	14" [356mm]	15-3/4" [400mm]

SHIPPING WEIGHT

- * 4.0 LBS

ROUGH-IN:



FISHER MANUFACTURING COMPANY
 TOLL FREE: 800-421-6162 - FAX: 800-832-8238
 information@fisher-mfg.com - www.fisher-mfg.com