

APPLICATION:

PRODUCT NAME:
ULTRA SPRAY VALVE

JOB NAME:

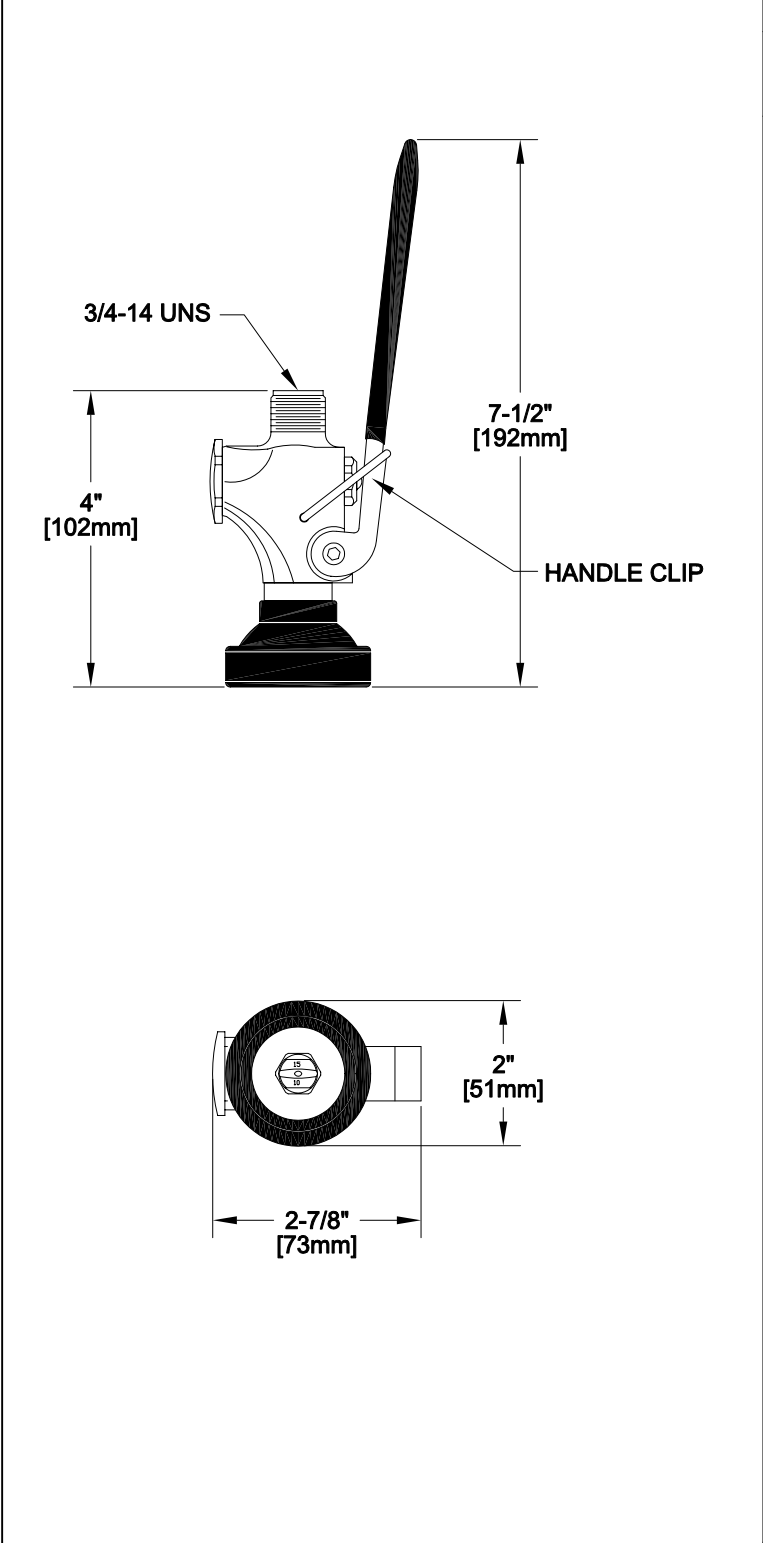
SPECIAL CONFIGURATION
 CHECK BASE MODEL AND OPTIONS

QUANTITY:

ITEM NO.

MODEL:
 2949 W/ 1.15 GPM NOZZLE

OPTIONS OR MODIFICATIONS:
 OTHER _____



FEATURES

ULTRA SPRAY VALVE
 * LOWEST ENERGY USER - 1.15 GPM @ 60 PSI
 * CLEANS FASTER - TEST PROVEN
 * ENGINEERED TO LAST - NO 'O' RINGS TO LEAK
 * INTERCHANGEABLE - FITS ALL BRANDS

SYSTEM LIMITS
 * TEMP: 40°F MIN. TO 140°F MAX.
 * PRESSURE: 200 PSI MAX. STATIC
 * 1.15 GPM AT 60 PSI

SHIPPING WEIGHT
 * 1.5 LBS