

Project: _____	AIA# _____
Item #: _____ Qty: _____	SIS# _____
Model #: _____	

## Wall Mount Towers

WT-\_\_-SS

Size: Specify the number of faucets from 4, 5, 6, 8, 10, 12



WT-12-SS

NOTE: Faucet handles not included.

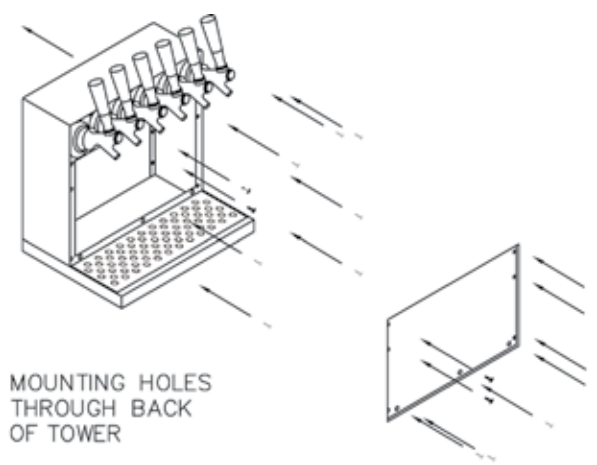
### Standard Features

- 1/4" shanks with 3/16" restriction lines
- All stainless steel including faucets
- Grainline finish
- Integral drain pan with lift-out perforated inserts
- Built-in wall mounting bracket with open back
- Removable front cover for access to wall mounting flange

### Configurable Options

- 4, 5, 6, 8, 10, or 12 faucet sizes
- Air cooled for direct-draw system or glycol cooled for recirculating system
- Back or bottom beverage line orientation

### Mounting Details



### Specifications

- Materials**
- Stainless steel faucets and shanks
  - Stainless steel body and drain pan
  - Galvanized steel inner structure on glycol chilled models
- Shank Sizes**
- 1/4" I.D. with 3/16" fittings
- Drains**
- 1/2" tailpiece on drain pan



Glastender, Inc. • 5400 N Michigan Rd • Saginaw, MI • 48604-9780  
 989.752.4275 • 800.748.0423 • Fax 989.752.4444  
[www.glastender.com](http://www.glastender.com)

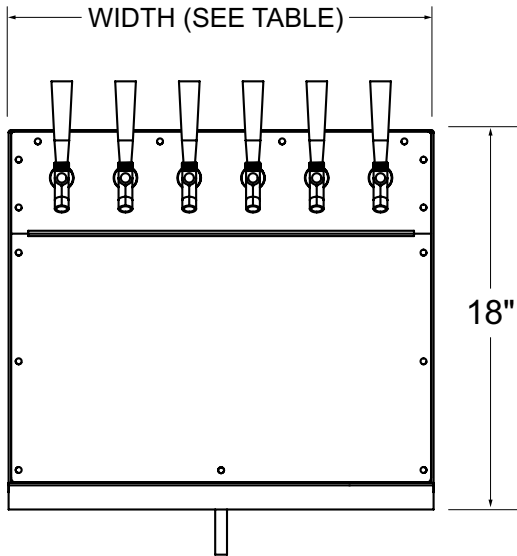
Approval/Notes:

Specifications subject to change without notice. For current specifications please visit our website.

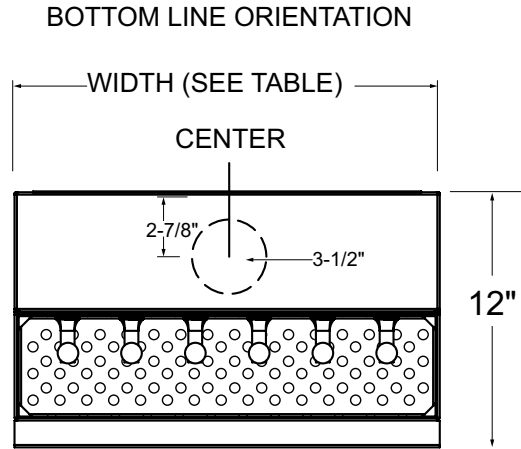
# Wall Mount Towers

## Drawings

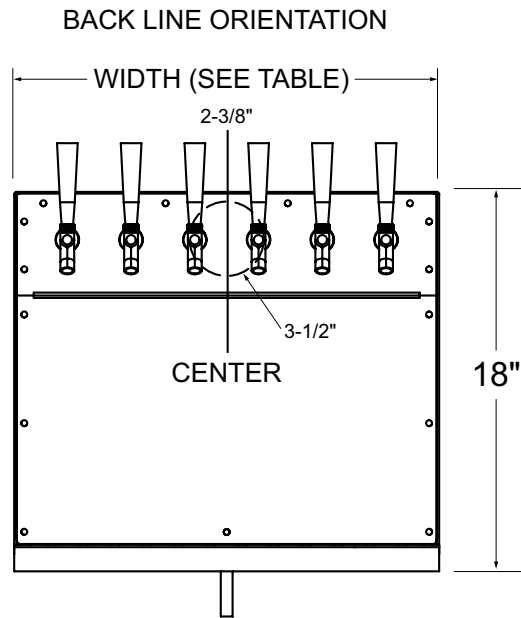
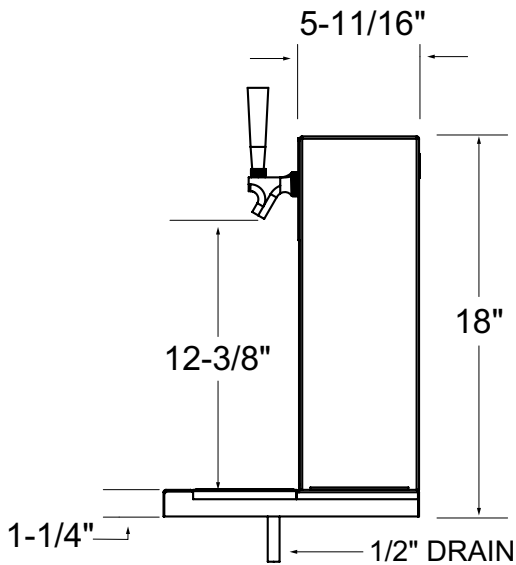
### FRONT ELEVATION



### PLAN VIEW



### SIDE ELEVATION



Wall Mount Towers	
Number of faucets	Width
4	14"
5	17"
6	20"
8	26"
10	32"
12	38"

Note: Faucet handles not included.