

# CLeN-SERIES DISHWASHERS LAVE-VAISSELLE DE LA GAMME CLeN LAVAVAJILLAS SERIE CLeN

MODEL MODÈLE MODELO	R-L OPERATION EXPLOITATION D A G FUNCIONAMIENTO D-I	L-R OPERATION EXPLOITATION G A D FUNCIONAMIENTO I-D
CL44eN-BAS/CL44eN-EGR/CL44eN-ADV	ML-138401-0000Z	ML-138402-0000Z
CLPS66eN-BAS/CLPS66eN-EGR/CLPS66eN-ADV	ML-138403-0000Z	ML-138404-0000Z
CLCS66eN-BAS/CLCS66eN-EGR	ML-138409-0000Z	ML-138410-0000Z
CL54eN-BAS/CL54eN-EGR/CL54eN-ADV	ML-138405-0000Z	ML-138406-0000Z
CLPS76eN-BAS/CLPS76eN-EGR/CLPS76eN-ADV	ML-138407-0000Z	ML-138408-0000Z
CLCS76eN-BAS/CLCS76eN-EGR	ML-138411-0000Z	ML-138412-0000Z
CL64eN-BAS/CL64eN-EGR/CL64eN-ADV	ML-138413-0000Z	ML-138414-0000Z
CLPS86eN-BAS/CLPS86eN-EGR/CLPS86eN-ADV	ML-138415-0000Z	ML-138416-0000Z
CLCS86eN-BAS/CLCS86eN-EGR	ML-138417-0000Z	ML-138418-0000Z
CL44eN-VL	ML-138470-0000Z	ML-138471-0000Z
CLPS66eN-VL	ML-138472-0000Z	ML-138473-0000Z



701 S. RIDGE AVENUE  
 TROY, OHIO 45374-0001  
 937 332-3000  
 www.hobartcorp.com

## **IMPORTANT FOR YOUR SAFETY**

**THIS MANUAL HAS BEEN PREPARED FOR PERSONNEL QUALIFIED TO INSTALL GAS EQUIPMENT, WHO SHOULD PERFORM THE INITIAL FIELD START-UP AND ADJUSTMENTS OF THE EQUIPMENT COVERED BY THIS MANUAL.**

**POST IN A PROMINENT LOCATION THE INSTRUCTIONS TO BE FOLLOWED IN THE EVENT THE SMELL OF GAS IS DETECTED. THIS INFORMATION CAN BE OBTAINED FROM THE LOCAL GAS SUPPLIER.**

### **IMPORTANT**

**IN THE EVENT A GAS ODOR IS DETECTED, SHUT DOWN UNITS AT MAIN SHUTOFF VALVE AND CONTACT THE LOCAL GAS COMPANY OR GAS SUPPLIER FOR SERVICE.**

### **FOR YOUR SAFETY**

**DO NOT STORE OR USE GASOLINE OR OTHER FLAMMABLE VAPORS OR LIQUIDS IN THE VICINITY OF THIS OR ANY OTHER APPLIANCE.**

### **FOR YOUR SAFETY READ BEFORE OPERATING**

**DO NOT USE THIS APPLIANCE IF ANY PART HAS BEEN UNDER WATER. IMMEDIATELY CALL A QUALIFIED SERVICE TECHNICIAN TO INSPECT THE APPLIANCE AND TO REPLACE ANY PART OF THE CONTROL SYSTEM AND ANY GAS CONTROL WHICH HAS BEEN UNDER WATER.**

**IN THE EVENT OF A POWER FAILURE, DO NOT ATTEMPT TO OPERATE THIS DEVICE.**

# TABLE OF CONTENTS

GENERAL .....	4
Chemical Sanitizing .....	5
INSTALLATION .....	5
Unpacking .....	5
Ventless Heat Pump Assembly Installation .....	5
Installation Codes .....	5
Adjust Machine Height and Level Machine .....	5
Dish Table Assembly .....	5
Splash Shields .....	6
Water Requirements .....	7
Plumbing Connections .....	7
Drain Connection .....	7
Drain Water Tempering Kit (If Equipped) .....	8
Water Connections .....	8
Chemical Feeder Installations .....	9
Detergent Feeder .....	9
Rinse Agent Feeder .....	9
Chemical Sanitizer Feeder .....	9
Steam Connection (When Equipped for Steam Heat) .....	10
Gas Connection (When Equipped for Gas Heat) .....	10
Venting Requirements .....	11
Type II Canopy Hood .....	11
Pant-Leg Vent Connections .....	12
Exhaust Flow Requirements .....	14
Electrical Connections – Dishwasher .....	14
Motor Rotation – Three-Phase Only .....	16
Optional Equipment Control Connections .....	16
CLeN-EGR and CLeN-ADV Energy Recovery Set-Up .....	17
Delime Notification Setup .....	19
OPERATION .....	20
Preparation .....	20
If Equipped with Scraper (PS/CS) .....	20
Wash/Rinse Tanks .....	20
CLeN-ADV Models .....	21
CLeN-VL Models .....	21
Curtains & Doors .....	21
Curtain Installation .....	22
Keypad and Display .....	25
Filling the Dishwasher .....	25
Starting the Gas Heat Dishwasher (When Equipped with Gas Heat) .....	25
Minimum Temperatures .....	25
Minimum Temperatures Using High-Temperature Sanitizing .....	26
Minimum Temperatures Using Low-Temperature, Chemical Sanitizing .....	26
Alternative Temperature Display Names .....	26
Low FR Temp Alert .....	26
Tank Temperature Alert .....	26
Dishwashing .....	27
Pot and Pan Mode .....	28
Optional Table Limit Switch .....	28
Auto-Timer .....	28
Idle Mode .....	28
Energy Saver Mode .....	28
Dirty Water Mode .....	28
CLEANING .....	29
Delimiting Procedure .....	31
Clearing the Delime Recommended Notification .....	32
DOs and DON'Ts for Your New Hobart Warewasher .....	32
PROGRAMMING .....	33
Programming Security Levels .....	33
Programming Instructions .....	34
Menu Display Prompts .....	34
Entering the Parameters Menu .....	35
Navigating the Parameters Menu .....	35
MAINTENANCE .....	37
Vent .....	37
Lubrication .....	37
Service .....	37
TROUBLESHOOTING .....	38

# Installation, Operation and Care Of CLeN-SERIES DISHWASHERS

## SAVE THESE INSTRUCTIONS

### GENERAL

CLeN machines are rack-type warewashers that move the racks from one end of the machine to the other, exposing the ware to progressive wash and rinse zones. Pumps and final rinse are activated by the inserted rack to energize the specific wash or rinse action needed. The CLeN-series machines are offered in optional lengths, sections, features, and provide different speeds to meet productivity and performance requirements. All CLeN-Series Dishwashers have electronic controls with digital temperature displays.

The CLeN-EGR models have a drain water energy recovery system which includes drain water tempering and all of the standard features of the CLeN. They use a heat exchanger to capture the energy from the drain water and preheat incoming cold water for the final rinse. The CLeN-EGR units are only available in hot water sanitizing mode, three phase, and come standard with a built-in 30kW booster heater, which is designed to maintain final rinse temperature of 180°F with a minimum incoming cold water temperature of 55 °F.

The CLeN-ADV models have an Automatic Soil Removal (ASR) system and include all of the standard features of the CLeN-EGR. The ASR system automatically redirects food soil left over after pre-scraping to an external scrap basket located at the load end of the machine. This helps to keep the wash water cleaner, reducing the frequency of water changes. This saves the customer money on chemicals and water/energy. The CLeN-ADV-Series machines are only available in hot water sanitizing mode, electric heat, three phase voltage supply, and come standard with a 30KW built-in booster heater. The CLeN-ADV models are not available with a corner scrapper unit (CLCS).

The CLeN-VL models have a ventless system and include all the standard features of the CLeN Base models. The ventless system uses energy efficient heat-pump technology combined with energy recovery to remove the need for direct venting while providing auxiliary heat to the wash tank. The CLeN-VL machines require only a single cold-water supply and are only available in hot water sanitizing mode, electric heat, three phase voltage supply, and come standard with a 30KW built-in booster heater.

Tanks, chambers, frames, legs and adjustable feet are made of welded stainless steel construction. Hinged inspection doors provide access to the interior wash and rinse zones. CLPS models provide a 22-inch power scrapper section and hinged access door. The power scrapper removes the heavy soil before the rack enters the wash zone.

Machines can be ordered as left-to-right or right-to-left operation. Either electric, gas, or steam tank heat is specified at time of order. Machines come standard ready to operate with high-temperature sanitizing mode.

Hobart offers three right-angle possibilities to put your machine in a corner installation (not available on CLeN-VL models):

- The Side Loader moves the rack at a right angle into the machine from the scrapping area.
- The Direct Drive Unloader moves the rack at a right angle coming out of the machine to tabling where the clean ware can be unracked.
- The Corner Scrapper (CLCS models) puts a Power Scrapper in the corner location at the load end of your machine, combining right angle entry with a scrapper section.

## CHEMICAL SANITIZING

CLeN machines can be converted to operate with low-temperature sanitizing mode (with the use of chemical sanitizers). Refer to Sanitation Mode programming instructions on page 36. **NOTE:** Chemical sanitization is not available on the CLeN-EGR, CLeN-ADV, or CLeN-VL models.

Hot water sanitizing mode is designated by "High Temp." on the display when the machine is turned on. Low-temperature or chemical sanitizing mode is designated by "Low Temp." on the display when the machine is turned on.

CLeN models that operate with chemical sanitization, use incoming water and final rinse water at 120°F minimum. Tank heaters raise that temperature to 130°F for wash (and power rinse, if equipped).

# INSTALLATION

## UNPACKING

Immediately after unpacking the dishwasher, check for possible shipping damage. If the machine is found to be damaged, save the packaging material and contact the carrier within 5 days of delivery.

**NOTE:** For CLeN-VL models, ventless heat pump assembly ships separate on its own skid.

Prior to installation, verify that the electrical service agrees with the specifications on the machine data plate, which is located on the left-hand side of the control box.

After unpacking the dishwasher, remove the items shipped loose (overflow tube or standpipe, splash shields, curtains, extra wash arm caps, and literature envelope with instructions and chamber hole plug kit) from inside the dishwasher. For CLeN-ADV models only, remove the external ASR basket from inside the dishwasher and install in the ASR housing located at the load end of the machine.

## VENTLESS HEAT PUMP ASSEMBLY INSTALLATION

Refer to Hobart Service CLeN Ventless Installation manual, F-45820.

## INSTALLATION CODES

Installation must be in accordance with state and local codes, or in the absence of local codes, with the National Fuel Gas Code, ANSI Z223.1 (latest edition), if applicable, and the National Electrical Code ANSI/NFPA 70 (latest edition). In Canada, the installation standards are: CAN/CSA B149.1 and CSA C22.1 (latest editions).

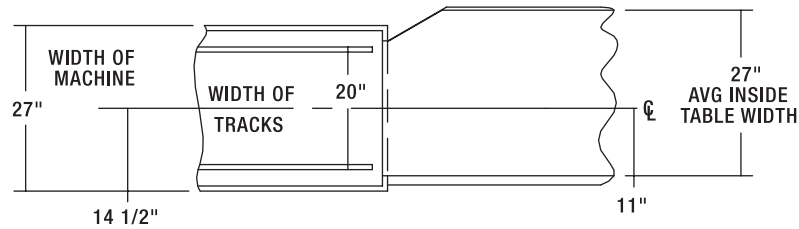
## ADJUST MACHINE HEIGHT AND LEVEL MACHINE

Set the dishwasher in its proper location. Adjust the height and level the machine by turning the adjustable feet in or out as necessary.

## DISH TABLE ASSEMBLY

Dish tables should be fitted into the dishwasher (Figs. 1, 2 & 3). Use silicone sealant between table and lip of tank to prevent leakage. Rack track height should be from  $\frac{1}{4}$  to  $\frac{5}{16}$ " (Fig. 2) above the tank lip. Dish tables should be sloped so that any water carried from the dishwasher will drain back into the machine, but not from the scrapping area.

**NOTE:** The dishwasher must be in its final position, adjusted for proper height and properly leveled before table assembly and plumbing connections are made.



SUGGESTED TRACK AND TABLE LAYOUT

Fig. 1

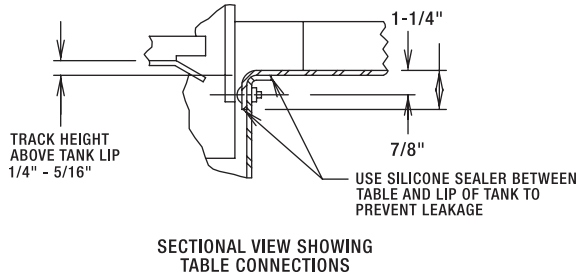


Fig. 2

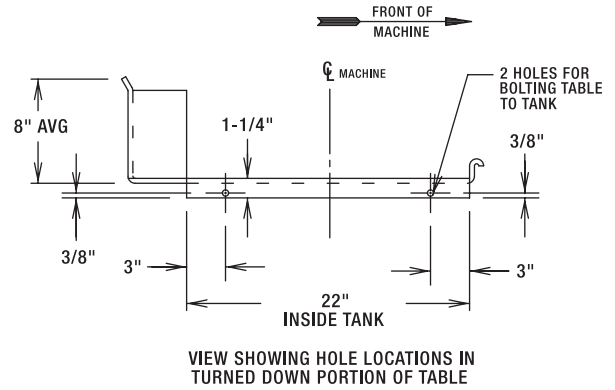


Fig. 3

For CLeN-VL installations, the extended hoods can be adjusted to accommodate variances in dish tables by loosening the three screws.

## SPLASH SHIELDS

On all CLeN models (except CLeN-VL models), two splash shields are shipped with machine for installation on the front side of the load and unload ends of the machine. Mount splash shields to chamber ends using hardware provided. Splash shields should be installed inside table rim to prevent water from dripping onto floor (Fig. 4).



Fig. 4

## WATER REQUIREMENTS

Proper water quality can improve ware washing performance by reducing spotting, enhancing effectiveness of labor and extending equipment life. Water conditions vary from one location to another. The recommended proper water treatment for effective and efficient use of this equipment will also vary depending on the local water conditions. Ask your municipal water supplier for details about local water specifics prior to installation.

Recommended water hardness is 3 grains of hardness per gallon or less. Chlorides must not exceed 30 parts per million. Water hardness above 3 grains per gallon should be treated by a water conditioner (water softener or in-line treatment). Water treatment has been shown to reduce costs associated with machine cleaning, reduce deliming of the dishwasher and reduce detergent usage in the dishwasher.

**NOTE:** For CLeN-VL models, damage to heat pump system due to improper water quality may not be covered under Hobart warranty.

Sediment, silica, chlorides or other dissolved solids may require particulate filtration or other water treatment.

If an inspection of the dishwasher or booster heater reveals lime buildup after the equipment has been in service, in-line water treatment is recommended. Contact your local Hobart Service office for specific recommendations.

## PLUMBING CONNECTIONS

**▲ WARNING** Plumbing connections must comply with applicable sanitary, safety and plumbing codes.

The plumber who connects this machine is responsible for making certain that both water and steam lines are THOROUGHLY FLUSHED OUT BEFORE connecting to any manual valve or solenoid valve.

This “flush-out” is necessary to remove all foreign matter, such as chips (resulting from cutting or threading of pipes), pipe joint compound from the lines or, if soldered fittings are used, bits of solder or cuttings from the tubing. Debris, if not removed, may lodge in the valves and render them inoperative. Manual valves or solenoid valves found defective by foreign matter and any expenses resulting from this debris are NOT the responsibility of the manufacturer.

### Drain Connection

The common drain for the tank(s) requires only one connection to the floor drain. The drain can be connected at either end. A pipe plug is provided for the opposite end. **NOTE:** For CLeN-EGR and CLeN-ADV models, the factory drain plumbing may need to be relocated to opposite side of drain body (Fig. 5). Connect the drain (Fig. 6) through a trap to the sewer using 2" NPT pipe. If a grease trap is required by code, it should have a minimum flow capacity of 38 gallons per minute.

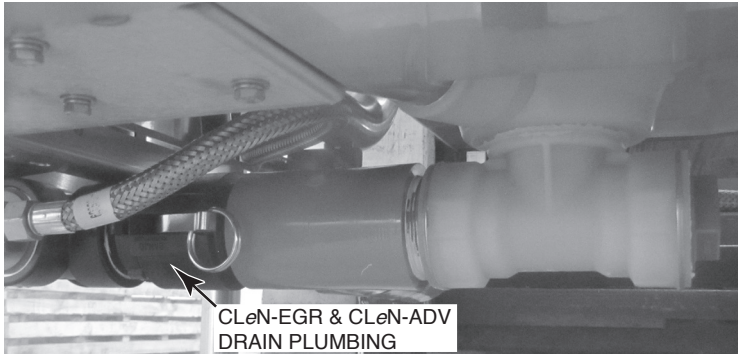


Fig. 5

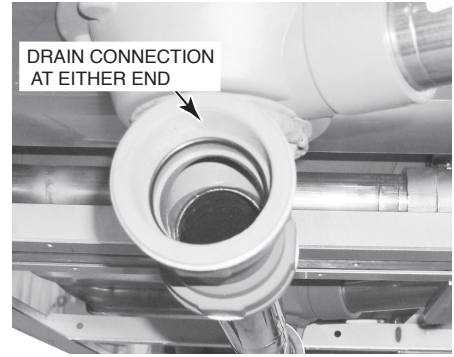


Fig. 6

### Drain Water Tempering Kit (If Equipped)

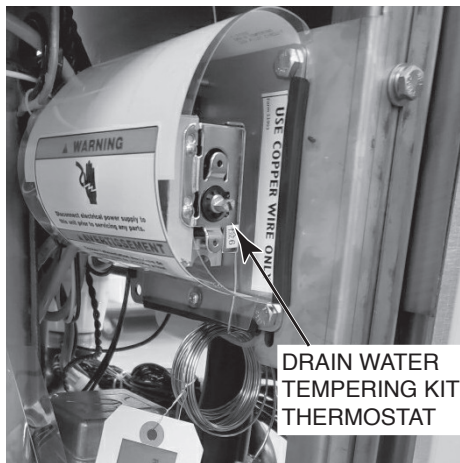


Fig. 7

A drain water tempering kit is factory installed on all CLeN-EGR and CLeN-ADV models and is available as an accessory for all CLeN-BAS and CLeN-VL models. Refer to F-45654 CLeN Drain Water Tempering Kit Installation Instructions supplied with the kit for proper installation. **NOTE:** For CLeN-EGR and CLeN-ADV models, the DWT thermostat is mounted to the frame behind the front panel (Fig. 7). The thermostat capillary must be routed and installed in the drain line at the factory connection point.

### Water Connections

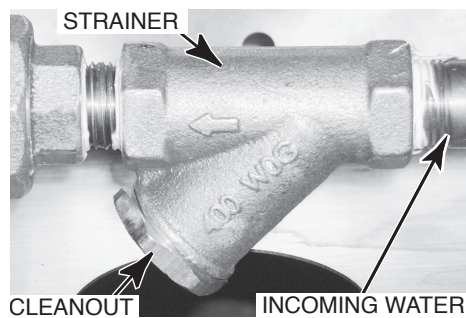


Fig. 8

CLeN-BAS models require a single incoming hot water supply. CLeN-EGR and CLeN-ADV models require a hot and a cold water supply. CLeN-VL models require a single cold-water supply. Use  $\frac{1}{2}$ " minimum I.D. pipe size for the incoming water supply line(s) to the machine (Fig. 8). A flowing pressure of 15 to 25 psig must be maintained at the machine. For long runs, use larger pipe and insulation to ensure adequate pressure and temperature. On CLeN-BAS models without built-in booster heater, if flow pressure exceeds 25 psig, a pressure-reducing valve (by others) must be installed in the water supply line prior to booster heater. On CLeN-BAS models with built-in booster heater and all CLeN-EGR, CLeN-ADV, and CLeN-VL models, pressure reducing valves are factory installed in the water supply lines.

For temperature requirements, refer to the Required Incoming Water Temperature table below.

**NOTICE** The water pressure regulator must have a relief bypass. Failure to use the proper type of pressure regulator may result in damage to the machine.

A pressure gauge is provided for verification of proper water pressure.



## REQUIRED INCOMING WATER TEMPERATURE

Model	Sanitizing Mode	Connection	Water Supply	
			Minimum	Maximum
CLeN-BAS without Built-in Booster	Hot Water Sanitizing	Hot Water	180°F (82°C)	194°F (82°C)
CLeN-BAS without Built-in Booster	Chemical Sanitizing	Hot Water	120°F (49°C)	N/A
CLeN-BAS with 15kW Built-in Booster	Hot Water Sanitizing	Hot Water	140°F (60°C)	N/A
CLeN-BAS with 30kW Built-in Booster	Hot Water Sanitizing	Hot Water	110°F (43°C)	N/A
CLeN-EGR and CLeN-ADV with 30kW Built-in Booster	Hot Water Sanitizing	Cold Water	55°F (13°C)	80°F (27°C)
		Hot Water	110°F (43°C)	N/A
CLeN-VL with 30kW Built-in Booster	Hot Water Sanitizing	Cold Water	55°F (13°C)	80°F (27°C)

## CHEMICAL FEEDER INSTALLATIONS

This machine must be operated with an automatic detergent feeder and, if applicable, an automatic chemical sanitizer feeder, including a visual means to verify that detergents and sanitizers are delivered or a visual or audible alarm to signal if detergents and sanitizers are not available for delivery to the respective washing and sanitizing systems. Chemical feeders are supplied by others. For electrical connection, refer to Optional Equipment Control Connections, page 16.

### Detergent Feeder

Your chemical supplier will install a detergent feeder port similar to the one shown in Fig. 9, that provides for discharge of detergent into the wash tank.

**NOTE:** Factory plugged hole is provided at rear of machine in tank wall. Do not install detergent port above chamber/tank seam. For CLPS66eN-VL models, for ease of installation, an extended detergent port is provided at the rear side of the prewash tank.

An electric monitoring device, similar to the one shown in Fig. 10, will be installed on the side of the wash tank to signal the feeder to maintain the proper concentration of detergent.

### Rinse Agent Feeder

Rinse agent is typically fed into the final rinse water at one of the ports on the incoming water line below the pressure gauge (Fig. 11).

### Chemical Sanitizer Feeder

Chemical sanitizer (on CLeN-BAS machines using low-temperature sanitizing) is fed into the final rinse water line at the other port on the incoming water line below the pressure gauge (Fig.11).

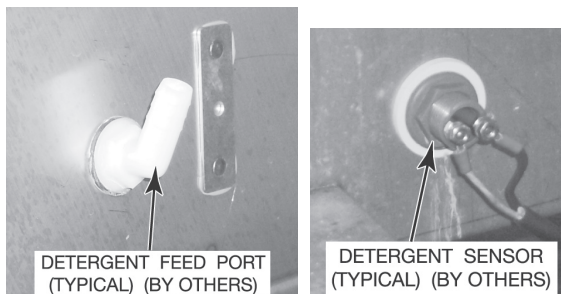


Fig. 9

Fig. 10

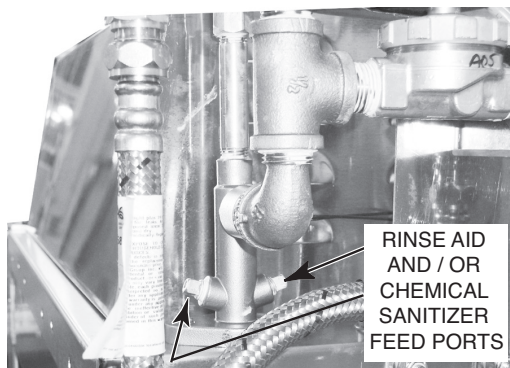


Fig. 11

## STEAM CONNECTION (When Machine is Equipped with Steam Tank Heat)

**NOTICE** Steam supply pressure must agree with the steam trap (supplied) which is rated for 10 to 50 psig differential pressure. If flowing pressure exceeds 50 psig, a pressure regulator (by others) must be installed in the supply line. Steam flow is controlled by solenoid valves.

For single-tank steam coil installations, two connections are required, one for supply and one for return. For two-tank steam coil installations, one common supply connection and two return connections are required.

## GAS CONNECTION (When Machine is Equipped with Gas Tank Heat)

Check the gas data plate attached to the dishwasher on the side of the control box or refer to the tag attached to the gas burner tubing for the type of gas to be used. All machines are shipped configured for natural gas. If conversion to LP gas (propane) is required, a conversion kit with instructions is supplied and must be installed before the machine is operated.

The burner is not adjustable. If flowing gas pressure is above 7" W.C. (natural gas) or 11" W.C. (propane gas), an additional regulator valve (by others) must be installed in the supply line. Static incoming line pressure should not exceed 14.0" W.C. for either propane or natural gas.

**▲ WARNING** The gas supply line to the dishwasher must be provided with a shut-off valve per code. The appliance and its gas connections must be leak tested before placing the appliance in operation. Use soapy water for leak tests. DO NOT use an open flame.

The installation must conform with local codes, or in the absence of local codes, with the National Fuel Gas Code, ANSI Z223.1 (latest edition), available from the American Gas Association, Inc., 1515 Wilson Blvd., Arlington, VA 22209. In Canada, comply with CAN/CSA B149.1 and CSA C22.1 (latest editions).

**NOTE:** For gas line pipe connections, use Loctite 565, Hobart part number 546292, or a flexible sealant suitable for use with Natural and Propane Gases.

- The appliance and its individual shutoff valve must be disconnected from the gas supply piping system during any pressure testing of that system at test pressures in excess of 1/2 psig (3.45 kPa).
- The appliance must be isolated from the gas supply piping system by closing its individual manual shutoff valve during any pressure testing of the gas supply piping system at test pressures equal to or less than 1/2 psig (3.45 kPa).

### GAS SPECIFICATIONS

Models	Type of Gas	BTU/Hr	Connection Line Size	Flowing Gas Pressure - Not Static Inches W.C. (Water Column)		
				Incoming Line Pressure		Manifold Pressure
				Minimum	Maximum	
CL44eN, CLPS66eN	Natural	78,000	1/2" NPT	3.5" W.C.	7.0" W.C.	3.2" W.C.
CL54eN, CLPS76eN	Propane	78,000	1/2" NPT	9.0" W.C.	11.0" W.C.	8.2" W.C.
CL64eN, CLPS86eN	Natural	156,000	3/4" NPT	3.5" W.C.	7.0" W.C.	3.2" W.C.
	Propane	156,000	3/4" NPT	9.0" W.C.	11.0" W.C.	8.2" W.C.

Dissipate test pressure from the gas supply line before reconnecting the appliance and its manual shutoff valve to the gas supply line.

**NOTICE** Failure to follow this procedure may damage the gas valve.

**▲ WARNING** Gas heat machines must be provided with a means to exhaust the flue gases to the exterior of the building.

Refer to Venting Requirements on pages 11 – 14.

The dishwasher must be installed so that the flow of combustion and ventilation air will not be obstructed. Ensure that no electrical cables or plumbing are routed over the gas flue area. Adequate clearances for air openings into the combustion chamber must be provided. Make sure there is an adequate supply of make-up air in the room to allow for combustion of the gas at the burner(s).

Keep the appliance area free and clear from all combustible substances. Do not obstruct the flow of combustion and ventilation air. The dishwasher must have a minimum clearance from combustible construction of 3" at the rear and 0" at the sides. A clearance of 23" must be provided at the front and 20" at each end of the dishwasher for servicing and proper operation.

The burner is ignited automatically by solid-state electronic circuitry. There is no pilot light. Gas flow is regulated by the temperature control circuit.

## VENTING REQUIREMENTS

For CLeN-VL models, no pant leg duct or canopy hood venting is required. Ensure dish room HVAC system is adequately sized to handle dish machine heat dissipation (latent and sensible heat). No HVAC supply or return grills to be installed within 24" of heat pump assembly.

### Type II Canopy Hood

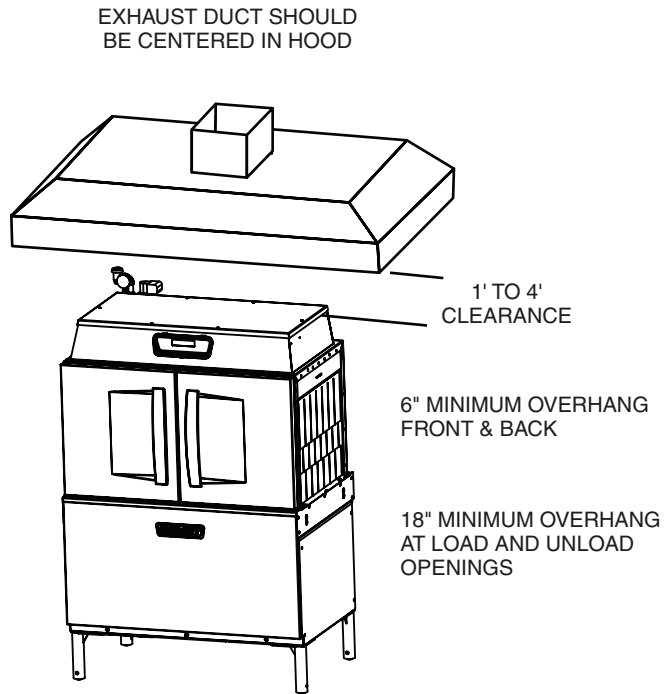
Most commercial dishwashers must be provided with external venting per local codes. The exception is electric or steam heat machines operating in the chemical or low temperature sanitizing mode where the existing room ventilation will compensate for the vapors produced. The local authority has final jurisdiction over this matter.

Venting can be provided by either a canopy hood over the whole machine (Fig. 12) or by the pant-leg duct connection (Fig. 13).

A Hobart CLeN-Series dishwasher equipped for gas tank heat is not provided with a flue collar and is not intended to have the flue directly connected to a ventilation system. However, the products of combustion must be vented to the outside air. Exhaust air must not be vented into a wall, a ceiling, or a concealed space of a building. A vent hood over the entire dishwasher (Fig. 12) can be employed to vent both the moist air from the dishwashing chamber and the flue gases from the gas heater. The volume of flue exhaust required for venting moist air and flue gases using a single vent hood over the entire dishwasher must be calculated using the Exhaust Flow Requirements on page 14.

A Type II canopy hood is recommended. A factory-built commercial exhaust hood may be listed as conforming to Underwriters Laboratory's Standard 710 titled, *Exhaust Hoods for Commercial Cooking Equipment*. Hoods must be installed according to the manufacturer's instructions. Makeup air must be provided so that the exhaust flow rate results in a positive building pressure in the room where the unit is located (more outside air than exhaust air). Factory-built hoods not tested to UL Standard 710 and custom built hoods must comply with the following specifications: They must be built from stainless steel, 0.022" [No. 24 Gage] minimum thickness, or copper sheet weighing at least 24 ounces per square foot; the hood must be secured in place by noncombustible supports and the hood must meet the Exhaust Flow Requirements on page 14.

## TYPE II CANOPY HOOD



CLeN SERIES

Fig. 12

### Pant-Leg Vent Connections

**⚠ WARNING** Gas heat machines must be provided with a means to exhaust the flue gases to the exterior of the building.

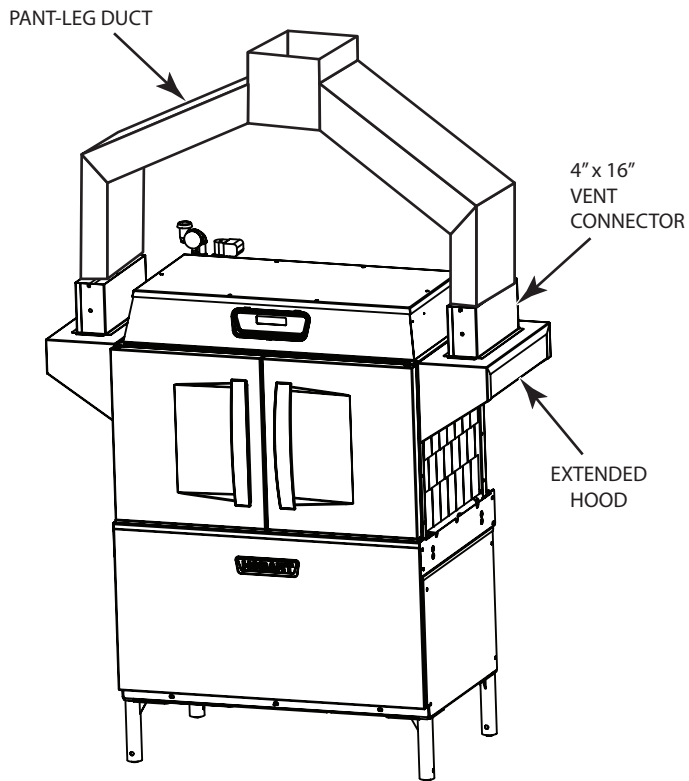
Pant-Leg duct connectors (Fig. 13) alone DO NOT provide ventilation for the gas flue at the rear of the machine. A mini-vent hood (Fig. 14) must be used or a canopy type hood may be used (Fig. 12).

Moist air escapes from each end of the conveyor type dishwasher. The recommended exhaust requirement is 200 CFM at the entrance end of the dishwasher and 400 CFM at the discharge end. Optional vent hoods or extended hoods may be provided at each end of the machine. Sufficient make-up air must be provided so the exhaust flow results in a positive building pressure in the room in which the unit is located (more outside air than exhaust air). Hoods are provided with 4" x 16" vent connectors with vent dampers which allow adjustment during installation. Typical construction is for 'Pant-Leg' hood connections to the 4" x 16" vent connectors (Fig. 13). Vent stacks must be watertight and fit inside the vent connector openings.

If using the 'Pant-Leg' duct, a mini-vent hood (Fig. 14) must be used to vent the flue gases on machines using gas heat. The mini-vent hood must be positioned a minimum of 18" above the flue exit at the rear of the dishwasher and connected to existing duct work. The volume of flue exhaust in the mini-vent hood should not exceed 200 CFM.

In either case, if a powered means of exhaust is used, an electrical interlock must be provided to allow the flow of gas to the dishwasher burner only when the exhaust system is in operation.

For more information, refer to the National Fuel Gas Code, ANSI Z223.1, NFPA54. In all cases, local codes will prevail.



CLeN-SERIES

Fig. 13

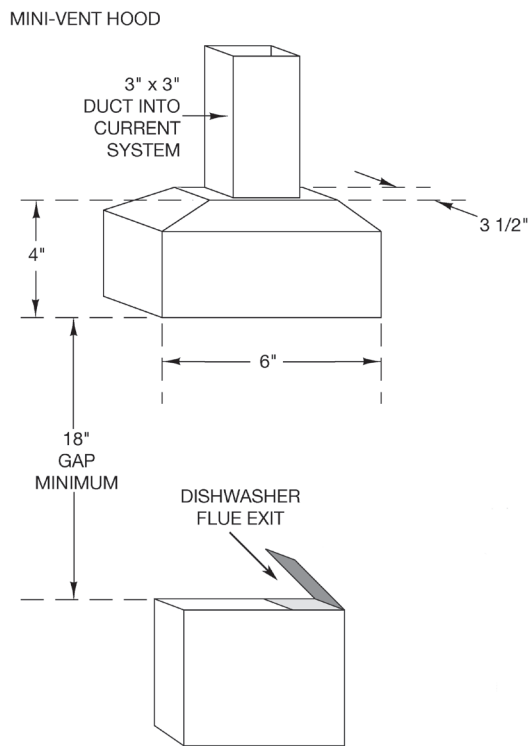


Fig. 14

## Exhaust Flow Requirements

The following is based on the 2015 International Mechanical Code (IMC):

The flow of air required for a vent hood is based on the linear length of the face of the hood, measured along the front side, parallel with the front of the appliance (refer to LENGTH in Fig. 15). The minimum net air flow for Type II hoods used with dishwashers is 100 CFM per linear foot of hood length. Simply multiply the hood's length, in feet, times 100 CFM to obtain the required flow rate.

Subtract make-up air flow supplied directly to a hood cavity, from the total exhaust flow rate of the hood, if applicable.

For hood designs not covered by these calculations consult the latest edition of the IMC or other local codes.

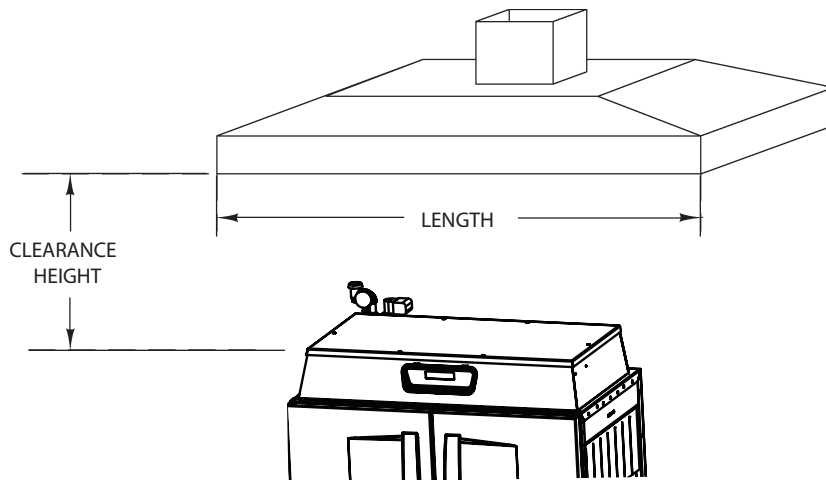


Fig. 15

## ELECTRICAL CONNECTIONS — DISHWASHER

**⚠ WARNING** Electrical and grounding connections must comply with the applicable portions of the National Electrical Code, ANSI/NFPA 70, latest edition, and/or other local electrical codes.

**⚠ WARNING** Disconnect the electrical power to the machine and follow lockout/tagout procedures. There may be multiple circuits. Be sure all circuits are disconnected.

Connect a permanent electrical power supply to the terminal block in the control box on top of the machine. Refer to the machine data plate for proper connection information and the electrical diagram located inside the control box cover.

**NOTE:** CLeN dish machines are not provided with internal GFCI protection.

CLeN dish machines (electric, gas or steam tank heat) not equipped with the Hobart internal electric booster heater, ship from the factory wired for a Single Point Electric Connection which includes motors & controls and tank heat. Electric tank heat models can be field converted to dual or multiple point electric configurations. Conversion instructions are located in the dish machine's control box located on top of the unit. **NOTE:** For electric heat machines, Single Point Electric Connection is only available on 3-phase voltage configurations. Single phase electric heat units ship with a dual point electric configuration.

All 480/60/3, 380/60/3 (except for electric heat two-tank models) and 600/60/3 machines equipped with the Hobart internal electric booster heater ship from the factory wired for a Single Point Electric Connection which includes motors & controls, electric tank heat (if equipped) and the electric booster heater. The unit can be field converted to dual or multiple point electric configurations. Conversion instructions are located in the dish machine's control box located on top of the unit.

For all other voltages on CLeN dish machines equipped with the Hobart internal electric booster heater, the unit will ship from the factory configured for dual electric connections; field installed Single Point Electric Connection kits are available. The kits include all necessary wires, fuses, terminal blocks and wiring instructions to configure the machine for a Single Point Electric Connection which includes motors & controls, electric tank heat (if equipped) and the electric booster heater. Refer to the chart below to determine which single point kit is required based on model, tank heat type and voltage.

**NOTE:** Single Point Electric Connection is not available as a standard configuration on CL44eN-VL, CLPS66eN-VL, CL64T and other various special device configurations. Contact Hobart Sales for specific questions regarding special configurations.

Tank Heat	Model	Volts / Hz / Ph	Sales Accessory Kit		
Electric	CL44eN CL54eN CLPS66eN CLCS66eN CLPS76eN CLCS76eN	200/50/3	SGLPT-KIT4-CLE		
		208/60/3			
	CL64eN CLPS86eN CLCS86eN	200/50/3	SGLPT-KIT3-CLE		
		208/60/3			
		240/60/3			
	CL44eN CL54eN CLPS66eN CLCS66eN CLPS76eN CLCS76eN	240/60/3	SGLPT-KIT2-CLE		
		CL64eN CLPS86eN CLCS86eN		380/60/3	
				380-415/50/3	
	Gas	CL44eN CL54eN CL64eN CLPS66eN CLPS76eN CLPS86eN		208-240/60/3	
				CL44eN CL54eN CL64eN CLPS66eN CLCS66eN CLPS76eN CLCS76eN CLPS86eN CLCS86eN	200-240/50/3
CL44eN CL54eN CL64eN CLPS66eN CLCS66eN CLPS76eN CLCS76eN CLPS86eN CLCS86eN					208-240/60/3

## Motor Rotation — Three-Phase Only

**NOTICE** Before placing a three-phase machine into service, check to verify that the conveyor motor rotates in the correct direction. (The control box is pre-wired at the factory so that all motors are phased together. If the conveyor motor rotation is correct, the pump motors will also be correct.) Incorrect rotation will result in unacceptable performance.

To check the conveyor motor's rotation:

Close the machine doors, press POWER on the keypad and allow the machine to fill. When the machine is completely filled, press POWER to turn the machine off.

**⚠ WARNING** Disconnect the electrical power to the machine and follow lockout/tagout procedures. There may be multiple circuits. Be sure all circuits are disconnected.

Remove the front panel below the doors. Reconnect the electrical power to the machine, being careful not to touch any uninsulated electrical parts exposed by removing the front panel. Press START/ENTER on the keypad and verify proper motor rotation, as follows:

The conveyor motor and clutch must rotate counterclockwise for machines with right-to-left operation, and clockwise for machines with left-to-right operation.

If the rotation of the conveyor motor is correct, press POWER to turn the machine off. Disconnect electrical power to the machine, and replace the front panel.

If the conveyor motor does not rotate in the proper direction, disconnect the electrical power to the machine. At the machine control box on top of the machine, reverse any two of the incoming power supply leads, either the leads to the entire machine, or the leads to the motor and controls if they are wired independent of the heaters. Do not simply reverse the leads to the conveyor motor.

Reconnect the electrical power to the machine. Re-check the conveyor motor's rotation. The conveyor motor and clutch must rotate counterclockwise for machines with right-to-left operation, and clockwise for machines with left-to-right operation.

If the rotation of the conveyor motor is correct, press POWER to turn the machine off. Disconnect the electrical power to the machine. Replace the top cover to the control box, and replace the front panel.

## Optional Equipment Control Connections

**⚠ WARNING** Electrical and grounding connections must comply with the applicable portions of the National Electrical Code, NFPA 70 (latest edition) and/or other local electrical codes.

**⚠ WARNING** Disconnect the electrical power to the machine and follow lockout/tagout procedures. There may be multiple circuits. Be sure all circuits are disconnected.

### Detergent Feeder

The maximum rating for a detergent dispenser connected to DPS1 and DPS2 is 1.5 amps at line voltage. Refer to Chemical Feeder Installations, page 9.

### Rinse Aid Feeder and/or Chemical Sanitizer Feeder

The maximum rating for a rinse aid dispenser and/or chemical sanitizer feeder connected to RPS1 and RPS2 is 1.5 amps at line voltage. Refer to Chemical Feeder Installations, page 9.



### Vent Fan Control (Not Available on CLeN-VL models)

The maximum rating for a vent fan connected to VFC1 and VFC2 is 1HP @ 120VAC, 2.5HP @ 240VAC.

The vent fan control circuit will turn the roof exhaust fan on and off with the power on the dish machine, eliminating the need for a separate switch on the wall. When this circuit is utilized, the exhaust fan on the roof will turn on when the power button on the CLeN dish machine is pressed turning the dish machine on and the fan will turn off when the power button is pressed turning the dish machine off.

The dish machine does not supply any voltage thru this circuit. It is a controlling circuit utilizing a dry contact. A hot wire from the roof fan control connects to one of the VFC terminals located on the 5TB terminal block in the CLeN control box on top of the unit and a second wire connects to the second VFC terminal and wires to the roof fan control completing the circuit. The dish machine will then open and close this circuit as it is powered on and off, which will turn the roof exhaust fan on and off with the dish machine.

### CLeN-EGR AND CLeN-ADV ENERGY RECOVERY SETUP

**⚠ WARNING** Disconnect the electrical power to the machine and follow lockout/tagout procedures. There may be multiple circuits. Be sure all circuits are disconnected.

**NOTICE** Set up procedures must be performed after hot and cold water connections have been completed, tank(s) are full, and machine is ready for operation.

1. Turn main power to machine OFF at customers disconnect.
2. Ensure tank(s) are empty. If not empty, pull drain lever(s) and allow tank(s) to drain.
3. Disconnect one electrical lead at hot fill solenoid valve coil located at the top rear of unit by sliding the coil cover off and disconnecting one of the coil wires (Figs. 16 & 17).

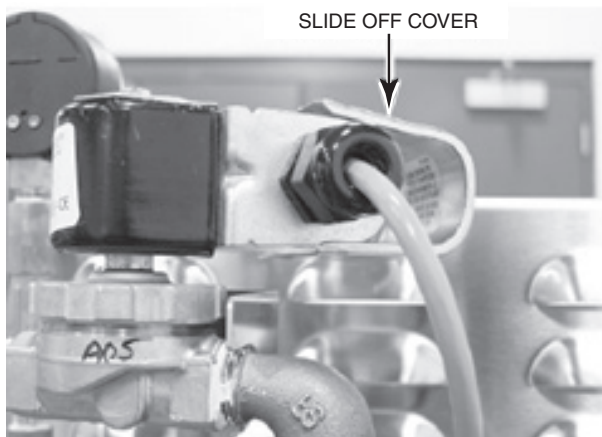


Fig. 16

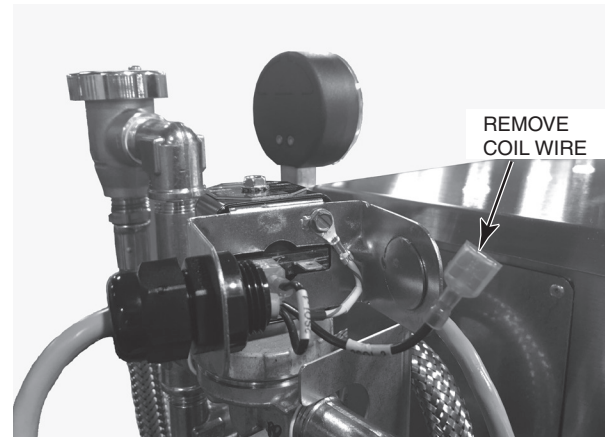
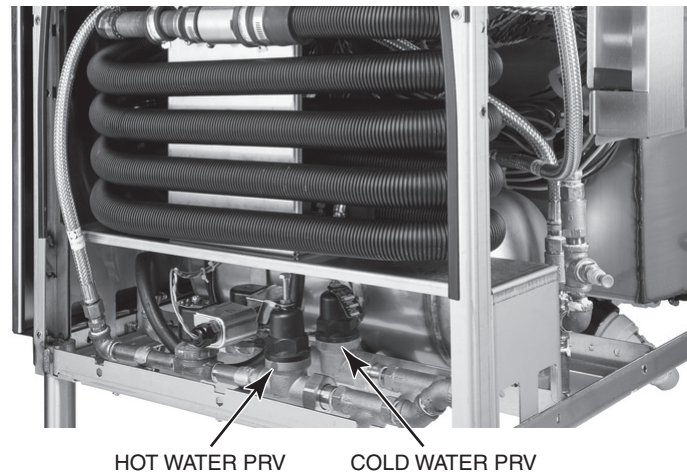


Fig. 17

4. Turn main power to machine ON at customers disconnect.
5. Press power button on keypad to turn machine on.
6. Ensure display shows “Tank(s) Filling” and that water is flowing into the machine thru the final rinse arms.
7. While the machine is filling thru the final rinse, adjust the final rinse hot water pressure regulating valve (Fig. 18) until the final rinse pressure gauge reads  $20 \pm 5$  PSI.



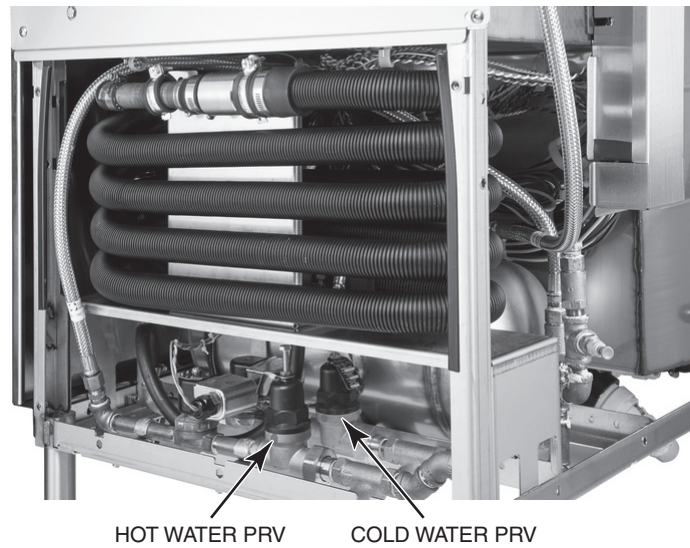
**Fig. 18**

8. Press power button on keypad to turn machine off.
9. Turn main power to machine OFF at customers disconnect.
10. Reconnect the hot fill valve coil wire removed in step 3 and replace the solenoid valve coil cover by sliding it back on.
11. Turn main power to machine ON at customers disconnect.
12. Press power button on keypad to turn machine on.
13. Ensure fill cycle is operating correctly and allow the machine to completely fill the tank(s) and enter the Idle mode (“Tank(s) Filling” should no longer be displayed once the unit is completely filled). **NOTE:** During this fill process, the pressure gauge should read approximately 5 PSI.
14. Open door of dishwasher and insert a dish rack upside down in final rinse zone to activate final rinse flow (Fig. 19).



**Fig. 19**

15. Press the START key located on the keypad and ensure the final rinse is on.
16. While final rinse water is running, adjust the final rinse cold water pressure regulating valve (Fig. 20) until the final rinse pressure gauge reads  $20 \pm 5$  PSI.



**Fig. 20**

17. Press power button on keypad to turn machine off.
18. Turn main power to machine OFF at customers disconnect.
19. Open door of dishwasher and remove dish rack from final rinse zone.
20. Turn main power to machine ON at customers disconnect; machine is now ready for normal operation.

## **DELIME NOTIFICATION SETUP**

All CLeN models have the ability to notify the operator when to delime based on the water hardness of the incoming water supply to the machine and the final rinse water usage. Refer to the 'PROGRAMMING' section of this manual to set the water hardness.

# OPERATION

## PREPARATION

Make sure the dishwasher is clean and all parts are in place.

### If Equipped with Scraper (PS/CS)

Install the standpipe in the scraper tank (Fig. 21). Standpipe with strainer (Fig. 21) goes in the first tank where the rack enters the machine.

Install the rear and side strainer pans and lower the strainer bucket (Fig. 23).

Install the upper wash arm (Fig. 22) and the lower wash arm (Fig. 23) in the scraper with all end caps. Push arm onto the connector pipe so the opposite end is held by the guide; then lift or lower into position.

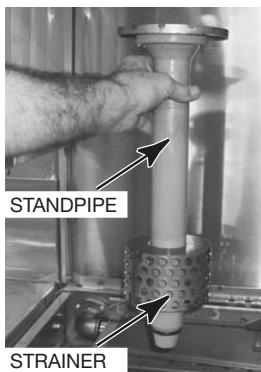


Fig. 21

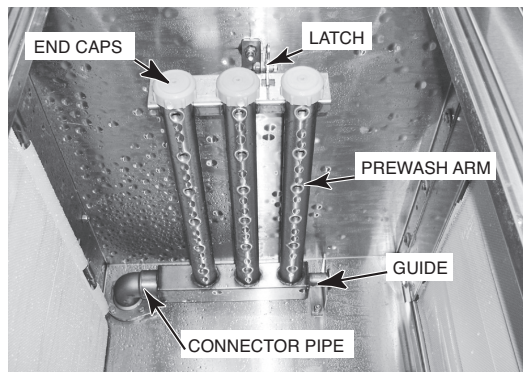


Fig. 22

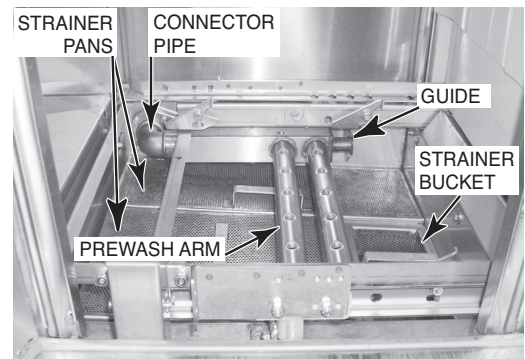


Fig. 23

### Wash/Rinse Tanks

Install the standpipe(s) in the tank(s) (Figs. 21 and/or 24). Standpipe without strainer (Fig. 24) goes in second/third tank.

Install the strainer pan and the strainer bucket (Fig. 26).

Install the upper wash arm (Fig. 25) and the lower wash arm (Fig. 26) with all end caps. Push arm onto the connector pipe so the opposite end is held by the guide (Figs. 25, 26); then lift or lower into position.

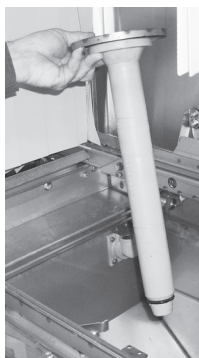


Fig. 24

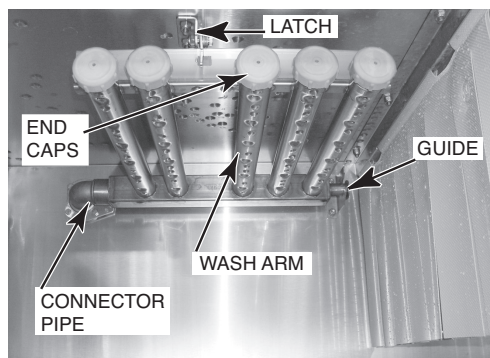


Fig. 25

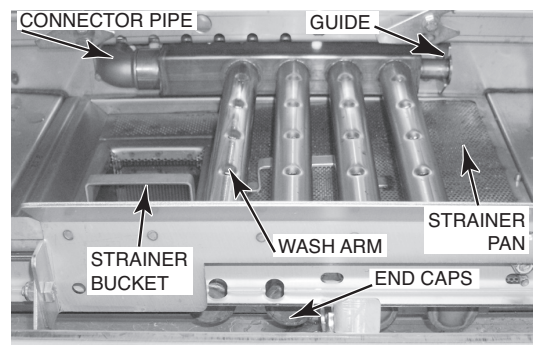


Fig. 26

## CLeN-ADV Models

Install the external ASR basket (Fig. 27) in the ASR housing located at the entrance end of the machine.



Fig. 27

Install the internal ASR basket (Fig. 28) in the first tank where the rack enters the machine.

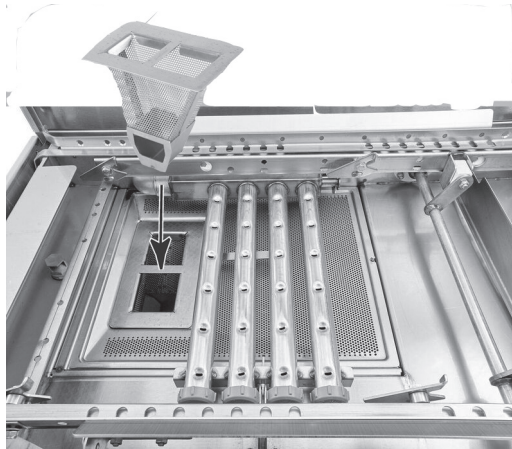


Fig. 28

## CLeN-VL Models

Ensure air channel cover is in place (Fig. 29).



Fig. 29

## Curtains & Doors

Hang all curtains according to the appropriate curtain diagram (pages 22 – 24). Close all doors: This lowers and seats the standpipe(s).

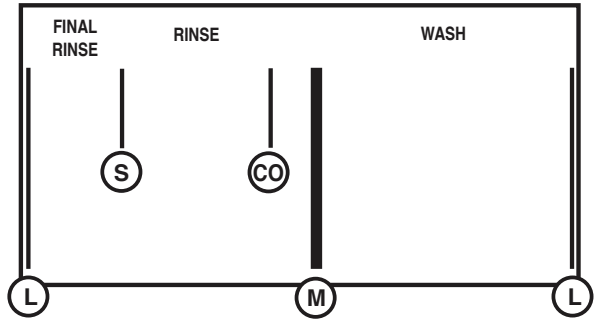
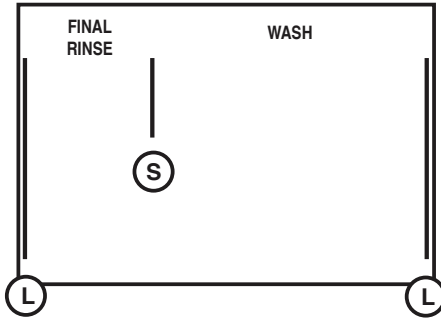
# CURTAIN INSTALLATION

Curtains are keyed for proper installation.

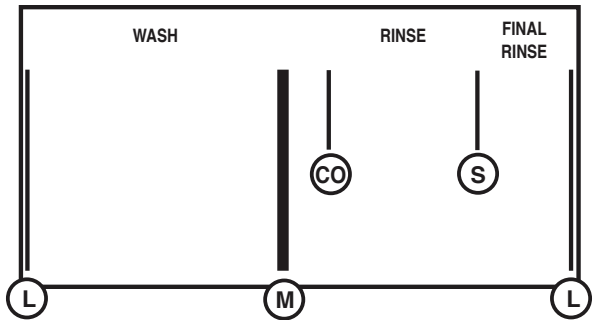
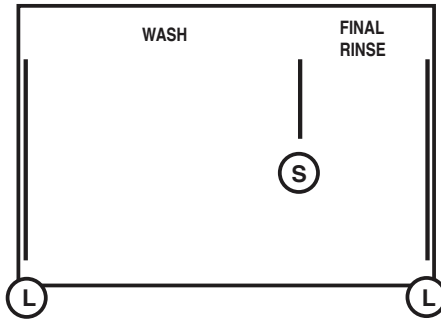
**CL44eN-BAS, CL54eN-BAS  
CL44eN-EGR, CL54eN-EGR  
CL44eN-ADV, CL54eN-ADV**

**CL64eN-BAS  
CL64eN-EGR  
CL64eN-ADV**

RIGHT TO LEFT  
←



LEFT TO RIGHT  
⇒

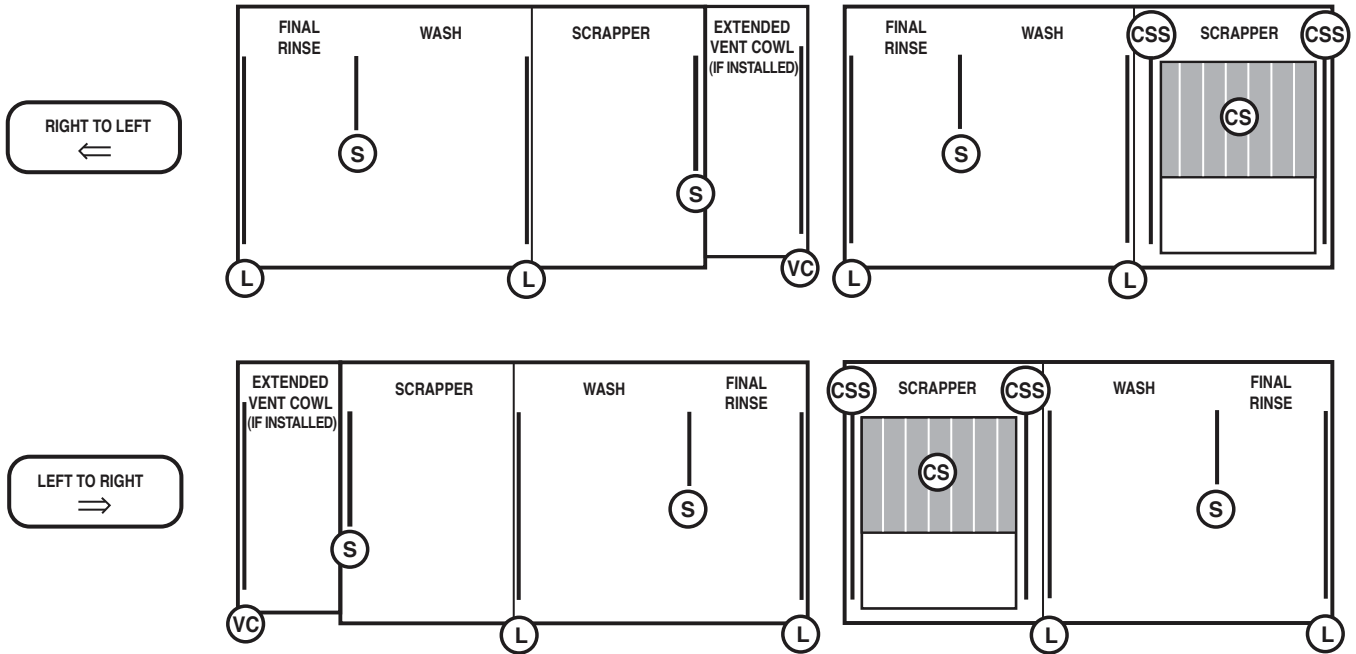


L	919758 Long STD
L	919975 Long HTS
S	919509 Short
CO	936922 Carry Over
M	936428 Middle STD
M	936429 Middle HTS
CS	936520 CS
CSS	936931 CS Side

## Single-Tank Machines with Power Scrapper (CLPS) or Corner Scrapper (CLCS)

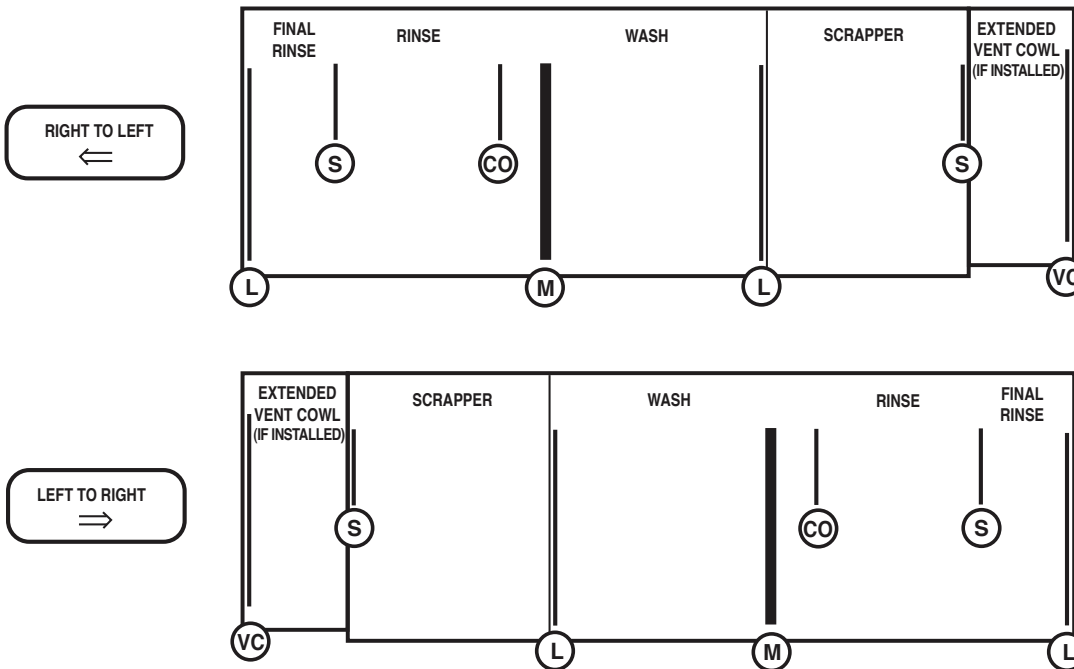
CLPS66eN-BAS, CLPS76eN  
 CLPS66eN-EGR, CLPS76eN-EGR  
 CLPS66eN-ADV, CLPS76eN-ADV

CLCS66eN-BAS, CLCS76eN-BAS  
 CLCS66eN-EGR, CLCS76eN-EGR



## Two-Tank Machines with Power Scrapper (CLPS)

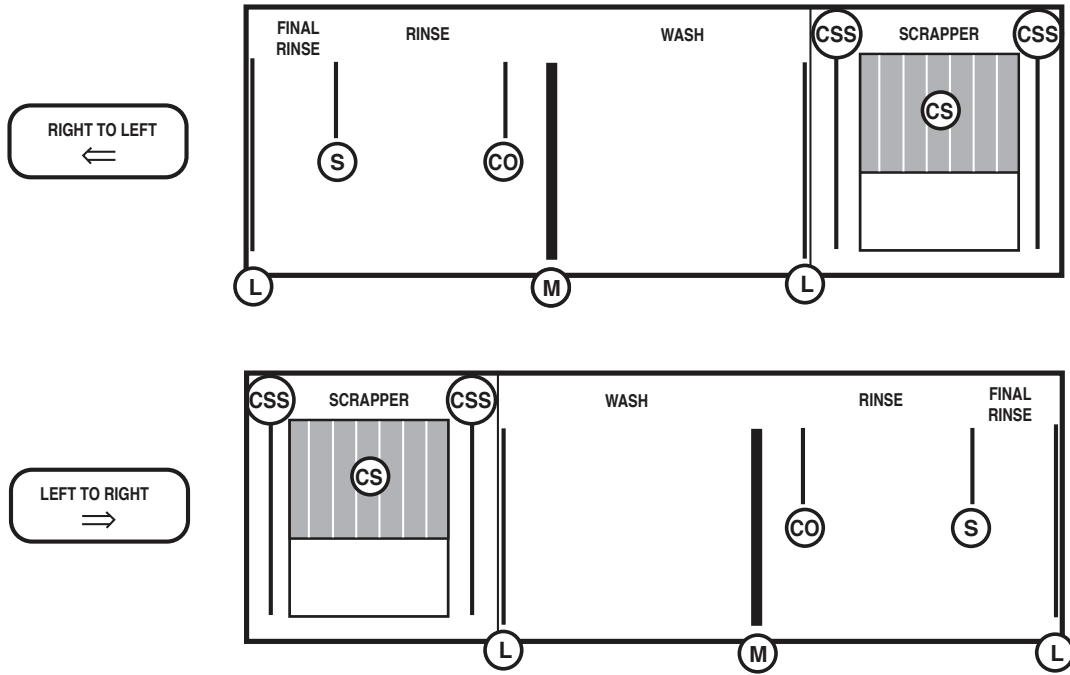
CLPS86eN-BAS, CLPS86eN-EGR, CLPS86eN-ADV



L	919758 Long STD
L	919975 Long HTS
S	919509 Short
CO	936922 Carry Over
M	936428 Middle STD
M	936429 Middle HTS
CS	936520 CS
CSS	936931 CS Side
VC	941277 Vent Cowl Std
VC	941278 Vent Cowl HTS

## Two-Tank Machines with Corner Scrapper (CLCS)

CLCS86eN-BAS, CLCS86eN-EGR

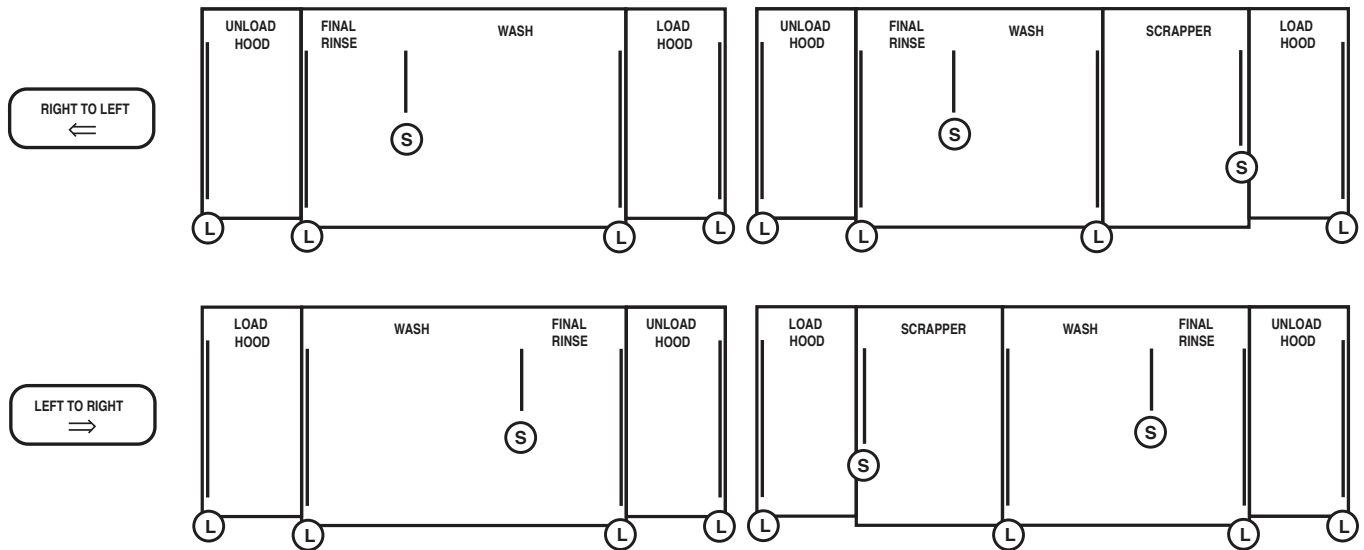


L	919758 Long STD
L	919975 Long HTS
S	919509 Short
CO	936922 Carry Over
M	936428 Middle STD
M	936429 Middle HTS
CS	936520 CS
CSS	936931 CS Side

## Single-Tank Ventless Machines

CL44eN-VL

CLPS66eN-VL





## KEYPAD AND DISPLAY

The controls are mounted on top of the dishwasher. The Keypad and Display are mounted in front of the control box (Fig. 30).

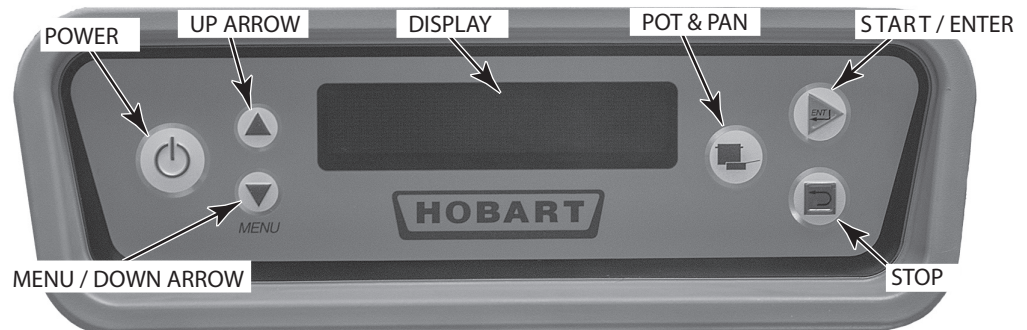


Fig. 30

## FILLING THE DISHWASHER

All water supply valves must be opened and the electric supply must be turned on before the machine will function. Make sure Preparation and Curtain Installation are done, pages 20 – 24.

Close all doors. To begin filling after the machine is ready, press the POWER key (Fig. 30).

If the machine is equipped with a Power Scrapper or Corner Scrapper, the scrapper tank will fill with overflow water from the wash tank.

## STARTING THE GAS HEAT DISHWASHER (When Equipped with Gas Heat)

1. **⚠ WARNING** Read the Safety Information on page 2 before operating this dishwasher.
2. Turn main gas supply to the dishwasher ON.
3. Wait for 5 minutes to clear out any gas. If you then smell gas, **STOP!** Follow all safety information covered on page 2 in IMPORTANT FOR YOUR SAFETY.
4. If you don't smell gas, turn the manual gas valve On.
5. Press the POWER key on the keypad (Fig. 30). Dishwasher will fill automatically (refer to Filling the Dishwasher, this page). After the tank has filled, the burner will ignite if heat is required. The ignition system includes a 15-second pre-purge period before ignition occurs.
6. If the dishwasher will not operate, press the POWER key on the keypad (Fig. 30) and turn the manual gas valve Off. Call your local Hobart service office or gas supplier.

## MINIMUM TEMPERATURES

The water temperatures in the tanks and rinse arms are regulated by the microprocessor control. The control is preset at the factory and no adjustment should be required. If an adjustment is necessary or if the machine is to operate at low temperature using chemical sanitizer, contact your local Hobart service office or refer to instructions for conversion. The digital display verifies proper water temperature during operation.

## Minimum Temperatures Using High-Temperature Sanitizing

<b>Single-Tank Models</b> CL44eN-BAS, CLPS66eN-BAS, CLCS66eN-BAS CL54eN-BAS, CLPS76eN-BAS, CLCS76eN-BAS, CL44eN-EGR, CLPS66eN-EGR, CLCS66eN-EGR CL54eN-EGR, CLPS76eN-EGR, CLCS76eN-EGR CL44eN-ADV, CLPS66eN-ADV, CL54eN-ADV, CLPS76eN-ADV CL44eN-VL, CLPS66eN-VL	<b>Wash Tank</b> 160°F	<b>Rinse Tank</b> —	<b>Final Rinse</b> 180°F
<b>Two-Tank Models</b> CL64eN-BAS, CLPS86eN-BAS, CLCS86eN-BAS CL64eN-EGR, CLPS86eN-EGR, CLCS86eN-EGR CL64eN-ADV, CLPS86eN-ADV	150°F	160°F	180°F

## Minimum Temperatures Using Low-Temperature, Chemical Sanitizing

<b>Single-Tank Models</b> CL44eN-BAS, CLPS66eN-BAS, CLCS66eN-BAS, CL54eN-BAS, CLPS76eN-BAS, CLCS76eN-BAS	<b>Wash Tank</b> 130°F	<b>Rinse Tank</b> —	<b>Final Rinse</b> 120°F
<b>Two-Tank Models</b> CL64eN-BAS, CLPS86eN-BAS, CLCS86eN-BAS	130°F	130°F	120°F

If the tank is accidentally drained before turning off the power switch, the float-controlled, low-water protector switch will automatically stop the tank heat. When the proper water level is returned, the tank heat will automatically restart. DO NOT use the low-water protection as a power on-off switch. Press the POWER key on the keypad to turn the machine off when not in use.

## Alternative Temperature Display Names

This table shows the possible temperature names that may appear on the display. The Long Name is equivalent to the Short Name. Temperature Display Names vary for different models.

### ALTERNATIVE TEMPERATURE DISPLAY NAMES

Indicated Temperature	Long Name	Short Name
Power Scrapper Tank	Scrapper	PS
Wash Tank	Wash	Wsh
Power Rinse Tank	Rinse	Rns
Final Rinse	FinalRinse	FnIRns

## Low FR Temp. Alert

Displays a message to indicate that the final rinse temperature was below the minimum requirement for a short time. This feature can be enabled from the Parameters Menu. Refer to page 36.

## Tank Temperature Alert

Displays a message if any tank goes below the minimum for a certain amount of time. This feature can be enabled from the Parameters Menu. Refer to page 36.

## DISHWASHING

After the machine has filled, start the pumps by pushing the START/ENTER key on the keypad (Fig. 30) or by inserting a rack into the machine.

The machine will operate only if the tanks have filled to the proper level and all doors are closed. Press the STOP key on the keypad to stop the conveyor motor and pumps.

Pre-scrub dishes thoroughly to remove large food particles and debris. Never use steel wool on ware that is to be loaded into the dishwasher.

Stack dishes in the racks. Do not stack dishes one on top of another, as water must have free access to both sides of every dish. Stand plates and dishes up edgewise (Fig. 31). Cups, glasses and bowls should be inverted in an open-type rack (Fig. 31) or a compartmented rack. Silverware and other small pieces may be scattered loosely over the bottom of an open-type, flat-bottom rack. To minimize splash, position trays in the rack in the same direction as the motion of the conveyor (Fig. 31).

DO NOT attempt to wash large items (pots, pans, trays, etc.) without first checking to make sure they will fit through the machine opening. Such large items must not be washed in this dishwasher unless they will easily pass through it.

DO NOT allow foreign objects to enter the dishwasher, especially metallic contaminants.

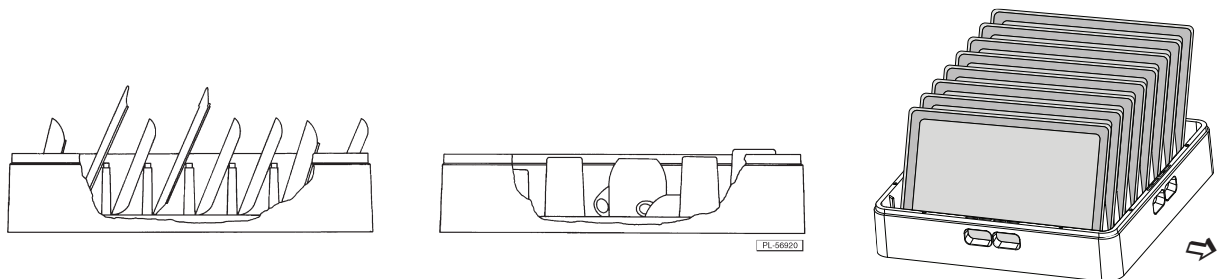


Fig. 31

When one rack has been loaded, slide it part way into the machine until the conveyor dogs catch the rack. Start loading another rack when the previous rack has completely passed the curtains. The operation of the dishwasher is automatic. When a rack enters the machine, the pumps and conveyor automatically start. Each rack moves through the power scrapper (if present), the wash and the rinse zones, then out onto the clean dish table. The rinse lever is actuated by the dish rack when it is present in the rinse zone and automatically shuts off the final rinse water when no rack is present.

Allow dishes to drain and air-dry before removing the ware from the rack.

The conveyor dwell feature, standard, allows the operator to stop the conveyor in order to wash heavily soiled dishes for a longer time. Press the DOWNARROW located on the keypad (Fig. 30) until the '<' symbol is shown to the left of 'CONVEYOR DWELL'. When the dish rack reaches the wash zone, press the ENTER key on the keypad (Fig. 30) to momentarily stop the conveyor. To restart the conveyor, press the START/ENTER key on the keypad (Fig. 30). **NOTE:** On all CLeN models (except the VL models), the unit will continue to run in dwell mode until the ENTER or STOP key is pressed. On CLeN-VL models, the unit will stop after 30 minutes of dwell time.

If the rack jams or if the load becomes excessive, an overload mechanism shuts off the conveyor drive motor and 'Clear Conveyor Jam' displays. Open the doors and remove the jam. After the jam is cleared, close the doors and push the START/ENTER key on the keypad (Fig. 30) to restart the dishwasher.

All tank temperatures are shown on the Display (Fig. 30) when the machine is in operation. The Final Rinse temperature displays --- until a rack is in the rinse zone; then, the Final Rinse water temperature displays. After the ware exits the rinse zone, the Final Rinse temperature display returns to ---.

## Pot and Pan Mode

The pot and pan feature, standard on all CLeN models, allows the operator to wash heavily soiled pots and pans by indexing the racks thru two pre-set wash zones for a specified amount of time. The wash times can be adjusted in the Parameters Menu, refer to page 36. Push the POT and PAN key located on the keypad (Fig. 30) to enter the pot and pan mode. Insert rack into machine. Each rack will index twice thru wash zone by the pre-set time. The machine will return to normal operation by pressing the POT and PAN key or the STOP key, or if the Auto Timer times out.

## Optional Table Limit Switch

If a rack reaches the end of the unload table and trips the table limit switch, the conveyor, pumps and final rinse shut off. The display alternates between the tank names and 'Unload Dishes'. After the rack is removed and the table limit switch resets, normal operation of the dishwasher resumes. **NOTE:** On CLeN-VL models, if rack reaches the end of the unload table and trips the table limit switch, machine will shut down. Machine will not automatically restart. Must press START key to restart the machine.

## Auto-Timer

To conserve energy, if no rack enters the machine for a preset amount of time, the Auto-Timer counts down and the pumps and conveyor shut off. Tanks continue to heat, and tank temperatures display. To resume operation, insert a rack or press the START/ENTER key on the keypad (Fig. 30).

**NOTE:** The Auto-Timer shut off setting is preset from the factory at 30 seconds. You can adjust the setting from 30 to 180 seconds (15 second increments). Refer to the Parameters Menu, page 36.

## Idle Mode

For non-ventless models, after 80 minutes of inactivity, high temperature tank set points reduce approximately 4°F. Chemical sanitizing tank set points reduce approximately 2°F. Once the wash cycle is started, tank set points return to normal.

## Energy Saver Mode

After a period of machine inactivity, the control initiates Energy Saver Mode (ESM): All warewasher components are turned off, and the display on the control dims, displaying 'Energy Saver Active/Press STOP to Exit'. To exit Energy Saver Mode, press the STOP key (Fig. 30). You may press the POWER key to completely turn the machine off. The period of machine inactivity prior to ESM can be set from 1 to 6 hours in the Parameters Menu; 2 hours is the factory setting. Refer to page 36.

## Dirty Water Mode

Three settings are provided; refer to Parameters Menu on page 36.

**Disabled** – No alarm displays. This is the factory setting.

**Alert Only** – After a period of operation, 'Water Change Req'd' displays until the water is changed; however, the control allows machine operation. Drain water below floats and refill to clear message.

**Alert & Lockout** – After a period of operation, 'Change Water Soon' displays for 5 minutes, alerting you to change the water; then, 'Water Change Req'd' displays and further machine operation is prevented until tanks are drained and refilled.

# CLEANING

The machine must be thoroughly cleaned at the end of each working shift, or at least twice a day. Use only products formulated to be safe on stainless steel. Use a damp cloth and mild soapy water.

1. Press the POWER key on the keypad to turn the machine Off (Fig. 30).

**⚠ WARNING** Disconnect the electrical power to the machine and follow lockout/tagout procedures before you begin cleaning. There may be multiple circuits. Be sure all circuits are disconnected.

2. Open the doors. Standard door interlock switches prevent machine operation with inspection doors open.
3. Visually inspect the upper and lower final rinse nozzles to make sure they are free of debris.
4. Open drain(s) by pulling drain lever(s) up (Fig. 32).

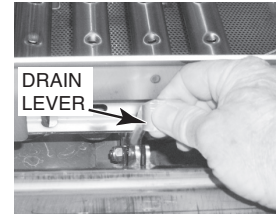


Fig. 32

5. Remove wash arms. Remove wash arm end caps (Fig. 33) and push any nozzle obstructions into the wash arms. Thoroughly flush the wash arms in a sink. Replace the wash arm end caps.
6. Before removing strainer basket(s) and pan(s), clean off any debris from machine walls using a hose with spray nozzle. Flush all debris toward the strainers. Flush all debris toward the strainers.
7. Clean debris from back side of doors, in between the doors and chamber, and around door seal of chamber. Avoid direct spray of controls on top of unit.

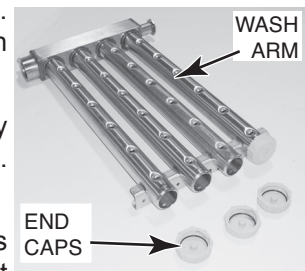


Fig. 33

8. Clean dish tables by flushing any debris into the dishwasher.
9. Remove all strainer pan(s) and strainer basket(s). Empty contents into garbage can or disposer and thoroughly clean pan(s) and basket(s) in a sink. DO NOT strike strainer pan(s) or strainer basket(s) on solid objects to dislodge debris. Refer to Figs. 23 & 26 on page 20.
10. When tanks are empty, remove the standpipe and clean the pump intake strainer(s) on the bottom of the standpipe or at the bottom of the tank (Figs. 21 & 34).
11. Remove curtains. Thoroughly scrub, rinse and allow curtains to dry at the end of each day's operation.

12. Thoroughly wash out the interior of the machine with a hose fitted with a spray nozzle. Remove remaining soil with a cloth or soft brush and mild cleanser. Flush out again with hose spray. Do not allow food soil to accumulate on the bottom and/or sides of the tank. **NOTE:** For CLeN-VL models only, thoroughly spray coil inside tank removing all debris.

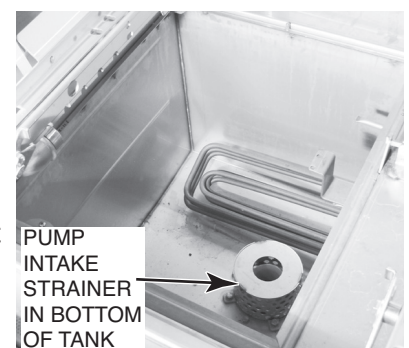


Fig. 34

13. On CLeN-ADV models, spray the ASR basket receiver removing any food soils (Fig. 35). Thoroughly wash out interior of ASR housing located at entrance end of machine (Fig. 36) with a hose fitted with a spray nozzle. Remove remaining soil with a cloth or soft brush and mild cleanser. Flush out again with hose spray. Do not allow food soil to accumulate on the bottom and/or sides of the ASR housing.

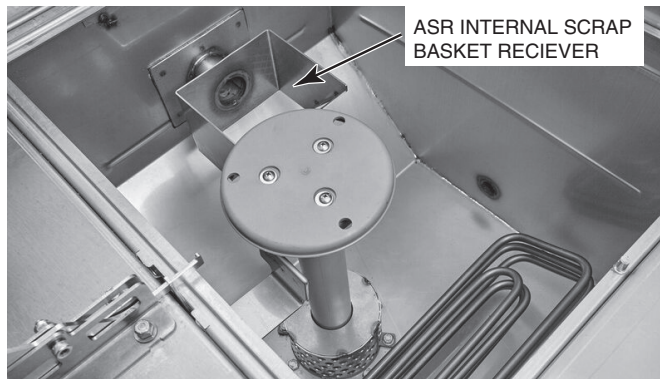


Fig. 35



Fig. 36

14. For CLeN-VL models only, remove air channel cover by lifting up on the handles (Fig. 37) and clean debris from air channel using a long-handled nylon brush (Fig. 38) and replace cover. **NOTE:** Do not use a metal brush and do not use a hose to spray the channel.



Fig. 37



Fig. 38

15. Return all standpipe(s), strainer pan(s) and strainer basket(s) to their proper locations (Figs. 21, 23, 24 & 26) on page 20.
16. Insert the upper wash arm(s) straight onto the connector pipe. Rest the extension on the guide. Rotate the arm upward to latch it.
17. Insert the lower wash arm(s) straight onto the connector pipe. Rest the extension on the guide. Swing the front of the arm down until level to fully position it.
18. Leave doors open and curtains removed while machine is not in use to allow the interior to air out and dry. Install curtains after machine has dried out.
  - **NOTICE** DO NOT attempt to clean Opti-Rinse final rinse nozzle(s). Opti-Rinse nozzle(s) should be replaced if they become clogged or if the spray pattern is ineffective.
  - Never use steel wool to clean warewasher surfaces. Use only products formulated to be safe on stainless steel.
  - Reassemble standpipe(s), strainer pan(s) and strainer basket(s), per page 20.
  - Rehang curtains after interior has dried out. Refer to pages 21 – 24.

## DELIMING PROCEDURE

Follow these steps for deliming the machine.

1. Power machine OFF.
2. Drain tank(s) and remove all food soils by cleaning the scrap baskets and strainer pans. Flush interior of machine with a hose.
3. Disable the detergent feeder chemical system according to the chemical manufacturer's recommendation. This will prevent the addition of detergent during the deliming operation.
4. Re-install strainer pan(s) and scrap basket(s) and close tank drain(s) by closing the doors.
5. Power machine ON allowing it to fill with fresh water.
6. Once the fill cycle has completed, open the doors and pour the required amount of delimer in the tank(s) according to the chemical manufacturer's instructions following their recommendations for personal protective equipment (PPE).
7. Close the doors and start the machine.
8. Press the DOWNARROW located on the keypad (Fig. 30) until the '<' symbol is shown to the left of 'CONVEYOR DWELL'. Press the ENTER key on the keypad (Fig. 30) to stop the conveyor and allow the pump(s) to run for 30 minutes.
9. After 30 minutes has elapsed, press the STOP button on the keypad to stop the machine. **NOTE:** Ventless machines will automatically timeout after 30 minutes and return to the idle mode.
10. Open the doors and inspect the interior for any remaining lime scale residue. If lime scale remains, close the doors and run the machine for a longer period of time using the CONVEYOR DWELL feature as described in STEP 8. Depending on the time between deliming cycles and the water hardness, the machine may need to run longer and/or adjust the amount of delimer being used.
11. Power machine OFF and drain tank(s).
12. Thoroughly spray the inside of the unit flushing the remaining delimer solution down the drain.
13. Close tank drain(s) and power the machine ON allowing it to fill with fresh water.
14. Once the fill cycle has completed, start the machine and run the pumps for a few minutes to flush any remaining delimer from the system.

15. Power machine OFF and drain all tanks.
16. Following the chemical manufacturer's recommendation, enable the detergent feeder chemical system.
17. The unit is now ready for normal operation.

Certain areas of the machine, such as the final rinse, may still show signs of scale residue as these areas are not subjected to the recirculated wash containing the deliming solution. These areas will need to be cleaned/delimed manually as instructed below. **DO NOT spray or wipe the deliming solution on exterior surfaces of the dish machine as this could cause corrosion. If delimer solution contacts the exterior of the machine, flush with water and wipe. Always wear proper personal protective equipment (PPE) when using delimer following chemical manufacturer's recommendations.**

1. Following the chemical manufacturer's instructions, prepare a mixture of delimer and water, and pour or brush the solution onto the surface to be cleaned.
2. Allow to soak for 10 minutes. If required, scrub to remove heavy deposits.
3. Rinse thoroughly with fresh water.

### Clearing the Delime Recommended Notification

Follow these steps for clearing the 'DELIME RECOMMENDED' notification.

1. Enter the Manager Programming mode. Refer to the PROGRAMMING section of this manual to access Manager Programming. Refer to page 33.
2. Once in the Manager Programming menu, press the DOWN ARROW until 'Clear Delime Message?' is displayed.
3. Press the ENTER key to clear the delime notification. Display should return to the Idle screen. Machine is now ready for normal operation.

### DOS AND DON'TS FOR YOUR NEW HOBART WAREWASHER

**DO** assure proper water hardness of 3 grains per gallon or less.

**DO** pre-scrub dishes thoroughly.

**DO** use only detergents recommended by your chemical professional.

**DO**, at the end of the day, thoroughly clean the machine, rinse and dry (leave doors open).

**DO** closely follow your chemical professional's prescribed deliming schedule.

**DO** use only products formulated to be safe on stainless steel.

**DO NOT** use detergents formulated for residential dishwashers.

**DO NOT** allow food soil to accumulate on the tank bottom, tank sides, or door seal.

**DO NOT** exceed chemical manufacturer's recommended concentrations for detergent, sanitizer, rinse aid or lime scale remover.

**DO NOT** use steel wool to clean ware or warewasher surfaces.

**DO NOT** allow foreign objects to enter the unit, especially metallic contaminants.

**NOTE:** Failure to follow use, care and maintenance instructions may void your Hobart warewasher warranty.



# PROGRAMMING

## PROGRAMMING SECURITY LEVELS

Your warewasher's microprocessor allows customization options for machine operation for cleaning your ware, maintaining required tank temperatures and other functions related to your kitchen operation. To activate or change these features, the programming edit mode must be entered at an appropriate level.

It is recommended that the warewasher stay in the lowest security level to prevent options from being modified from what is expected and/or acceptable. The security level will automatically revert back to Operator when any of the following occur:

1. No keys on the keypad are pressed for 10 minutes or more.
2. The machine is placed in Standby by pressing the POWER key.
3. An invalid Security Code is entered on the 'Enter Security Code?' screen.

The names and descriptions of the security levels are listed from lowest to highest levels.

**NOTE:** The letter to the right of the name is the same as the letter you will see at the lower-left corner of the 'Enter Security Code?' screen: O or M. Refer to Entering the Parameters Menu, page 36, for more details.

**NOTE:** The security level does not, by itself, affect the operation of the machine or inhibit the use of the START, STOP or POWER keys. All of these basic functions are always available in any security level.

### Operator – O

The Operator level is the most basic security level. It is the one that is initiated by default when the unit is powered up. No security code is required to enter the Operator security level. From this level you may enter a Security Code to elevate to a higher security level.

### Manager – M

The Manager level is the highest level attainable by the user. It requires the Manager Code to be entered to access the Manager level.

The Manager security level allows access to all of the options listed in the Parameters Menu -Table 1. It is recommended that power to the machine be cycled off and on after any Manager level options are modified and saved.

The Security Code for the Manager level can be changed by a kitchen manager or anyone with the Manager Code. The default code is 1001. As such, it is recommended that this code be changed from the default and that the new code be stored in a safe place. If the Manager code is ever lost or forgotten, it can be reset by Hobart Service.

**NOTE:** Having Hobart Service reset the Manager Code is not covered under either the basic or the extended warranties.

## PROGRAMMING INSTRUCTIONS

All customization is performed through the on-screen menu using the Up arrow, MENU/Down arrow and START/ENTER keys located on the keypad on the top of the machine (Fig. 39).

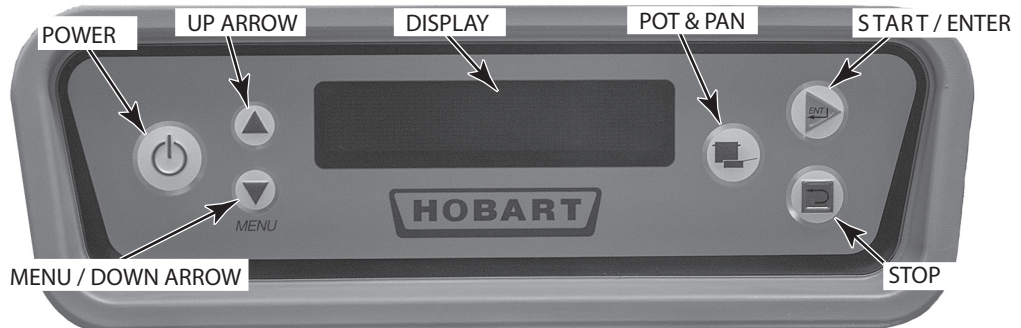


Fig. 39

### Menu Display Prompts

The following prompts are used inside the menus:

- The Up and MENU/Down arrow keys are used to change parameter values and to navigate the menu.
- The START/ENTER key is used to accept a value, to perform a specified action or to enter a submenu. Pressing this key while in the menu will **not** start the conveyor and pumps (if not already on). To start the machine while editing a menu, allow a rack to enter the machine or exit the menu before pressing the START/ENTER key.
- The STOP key will always cancel what you are doing, discard any changes you have made since the last save, return to the main screen and stop the machine.
- The text just to the left or right of the circle icon (●) on the display screen shows what action or command will occur if the START/ENTER key is pressed.
- The up/down arrow icon in the display shows the line or value that will change if the UP or DOWN arrow key is pressed.
  - A pair of solid arrows on the second line (↕), indicates that the displayed value is the value stored in the control.
  - A pair of hollow arrows on the second line (◊), indicates the value has been changed but has not yet been stored.

## Entering the Parameters Menu

The Parameters menu can be entered, and individual options can be modified anytime the machine is operating or idling.

To enter the Parameters Menu you must first enter the Security Code:

STEP 1. Press the MENU/Down key from the main screen.

STEP 2. You are prompted on-screen, asking if you wish to exit the menu. Do not press START/ENTER or you will exit back to the main screen showing tank names and temperatures. Instead, press the MENU/Down Arrow key to continue.

	Display Message	Key to Press	Function
1.	[ Tank Names ] [ Tank Temperatures ]	MENU/Down Arrow ↓	
2.	Exit to Main ? Yes	MENU/Down Arrow ↓	
3.	Enter Security Code? O Yes	START/ENTER	Answer Yes
4.	Security Code: 0***	Up Arrow	Change 0 to 1
5.	Security Code: 1***	START/ENTER	Go to next digit
6.	Security Code: *0**	START/ENTER	Go to next digit
7.	Security Code: **0*	START/ENTER	Go to next digit
8.	Security Code: ***0	Up Arrow	Change 0 to 1
9.	Security Code: ***1	START/ENTER	Accept 1001
10.	Enter Security Code? M Yes	MENU/Down Arrow	Letter in lower left should be 'M'.
11.	Edit Parameters? Yes	START/ENTER	
12.	Pot & Pan Cycle 30 secs.		This is the first parameter

STEP 3. You reach the 'Enter Security Code?' screen. Press the START/ENTER key to indicate that you want to enter the code.

STEPS 4 – 10. The prompt 'Security Code:' displays on the top line and a single digit and three asterisks [ 0\*\*\* ] displays on the bottom line. Use the Up arrow and MENU/Down arrow keys to change the Security Code to the appropriate value. The default Security Code to enter Manager level is 1001.

The security code can be changed by anyone with access to the Parameters Menu, and it is recommended to change it from the default. If the code is ever lost for some reason, it can be reset by Hobart Service, but this is not covered under either basic or extended warranties.

After pressing START/ENTER on the fourth digit (STEP 9), the prompt 'Enter Security Code?' returns to the first line of the display screen (STEP 10). You have correctly entered the manager security level if 'M' is displayed in the lower left corner. If M does not display, repeat steps 3 – 10.

STEP 11. Press START/ENTER to enter the Parameters Menu.

## Navigating the Parameters Menu

If Pot & Pan Cycle displays (STEP 12), you are in the Parameters Menu. The display shows the first editable parameter. You can use the Up or MENU/Down keys to explore the parameters menu.

Pressing the START/ENTER key allows you to enter that parameter and modify the setting.

For a list of parameter options, refer to the Parameters Menu – Table 1 on page 36.

**PARAMETERS MENU — TABLE 1**

<b>Parameter Name</b>	<b>Description</b>	<b>Possible Values</b>	<b>Default Value</b>
Pot & Pan Cycle	Sets the time, in seconds, that the wash cycle will dwell to provide additional ware cleaning. Cycle stays active until toggled out or machine auto times out.	30 to 90 seconds (in 5 second increments)	30 seconds
Sanitation Mode	Sets the operating temperatures that regulate the tank heaters and the internal booster (if provided): high temperature sanitizing mode, or low temperature, chemical sanitizing mode.	High Temp. or Low Temp.	High Temp.
Auto-Timeout	Pumps and conveyor shut down after this period of inactivity to save energy. Refer to page 28.	30 to 180 (in 15 second increments)	30 seconds
Low FR Temp Alert	Enables or disables a visual alert on the display that indicates that Final Rinse water temperature is below the required minimum of 180°F (82°C). When enabled, a message will display notifying the user of this condition. However, machine operation will not change and ware will continue to run through the machine as expected. After the temperature increases past the minimum, the message stops. When disabled, there will be no extra message indicating a low-temperature event; however, the temperature display will still show the current Final Rinse water temperature. Refer to page 26.	Disabled or Enabled	Disabled
Tank Temp. Alert	Displays a message that the water temperature of a certain tank is below the minimum required. After the temperature increases past the minimum, the message stops. Refer to page 26.	Disabled or Enabled	Disabled
Water Hardness	Sets the water hardness, in grains per gallon, of the incoming water to determine when the machine will need delimed.	0 to 1000 Grains (in 1 grain increments)	0 Grains
Dirty Water Mode	<u>Disabled</u> : Ignores dirty water. <u>Alert Only</u> : Displays 'Water Change Req'd' after a period of operation but does not require refilling. <u>Alert &amp; Lockout</u> : Displays 'Change Water Soon' for 5 minutes after a period of operation; then 'Water Change Req'd' displays and machine cannot run until tank(s) are drained and refilled. Refer to page 28.	Disabled, Alert Only or Alert & Lockout	Disabled
Dirty Water Time	Sets the period (in hours) of rinsing before an alert is shown. This option is only available when Dirty Water Mode is set to 'Alert Only' or to 'Alert & Lockout'.	1 – 6	4
Energy Saver Time	Energy Saver Time begins after a period of machine inactivity. Up arrow increases by 1 hour. Down arrow decreases by 1 hour. Refer to page 28.	1, 2, 3, 4, 5, 6	2
Change Mgr. Code?	Sets a new Security Code for access to the Manager Level parameters. It is recommended to change this code from the default value and store the new code where all kitchen managers, but no operators, can access it.	0000 to 8888	1001
Save Settings and Exit?	Press START/ENTER to save the changed settings, exit the Parameters Menu and return to the main screen. Any settings that were changed are saved and most become active immediately. If one or more settings are not activated immediately, a message will display indicating that you need to cycle power off and on to make them active.		
Cancel Settings and Exit?	Press START/ENTER to exit the Parameters Menu and return to the main screen. Any settings that were changed are cancelled and revert back to the previously saved values.		

# MAINTENANCE

**⚠ WARNING** Disconnect the electrical power to the machine and follow lockout/tagout procedures. There may be multiple circuits. Be sure all circuits are disconnected.

## VENT

When cool, check the vent of this dishwasher every six months for obstructions.

## LUBRICATION

None required.

## SERVICE

Contact your local Hobart Service office for any repairs or adjustments needed on this equipment. If a gas orifice fitting is to be replaced, have it serviced by qualified Hobart Service personnel. Long-term service contracts are available on this and other Hobart products.

# TROUBLESHOOTING

SYMPTOM	POSSIBLE CAUSE
No Machine Operation.	<ol style="list-style-type: none"> <li>1. Blown fuse or tripped circuit breaker at power supply.</li> <li>2. Inspection door(s) not closed.</li> <li>3. Conveyor has jammed.</li> <li>4. The Auto-Timer may have timed out. Push START or insert rack.</li> <li>5. If table limit switch is used, the switch may be tripped.</li> <li>6. The machine is in Energy Saver Mode. Press STOP on the keypad to resume.</li> </ol>
Dishes Not Clean.	<ol style="list-style-type: none"> <li>1. Insufficient wash water. Drain obstruction causing an open drain condition. Worn or torn drain O-ring allowing wash water to drain.</li> <li>2. Missing end cap from wash arm.</li> <li>3. Wash arm nozzle obstruction.</li> <li>4. Worn or torn manifold O-ring allowing wash water to drain.</li> <li>5. Loss of water pressure due to pump obstructions.</li> <li>6. <b>⚠ WARNING</b> <b>Disconnect the electrical power to the machine and follow lockout/tagout procedures. There may be multiple circuits. Be sure all circuits are disconnected.</b> Drain tank(s) and check for any obstruction at the pump intake.</li> <li>7. Incorrect water temperature. Check circuit breaker to electric heat supply, or main steam valve, or gas supply valve. Make certain that valve is completely open.</li> <li>8. Incorrect detergent dispensing. Contact your detergent sales representative.</li> <li>9. Strainer pans or buckets need to be emptied and/or cleaned.</li> <li>10. Tanks may need to be drained and filled with clean water.</li> </ol>
Leaking Valve.	<ol style="list-style-type: none"> <li>1. Foreign material preventing proper valve operation. A critical period is soon after installation when pipe compound or metal shavings may lodge at the valve seat. If problem is with a solenoid valve, it is recommended that you contact your local Hobart Service office.</li> </ol>
Spotting of Silverware, Glasses and Dishes.	<ol style="list-style-type: none"> <li>1. Improperly loaded racks.</li> <li>2. Incorrect final rinse water temperature (180°F or 120°F, minimum, pages 25 – 26).</li> <li>3. Loss of water pressure due to pump obstruction. <b>⚠ WARNING</b> <b>Disconnect the electrical power to the machine and follow lockout/tagout procedures. There may be multiple circuits. Be sure all circuits are disconnected.</b> Drain tank(s) and check for any obstruction at the pump intake.</li> <li>4. Clogged wash arm nozzles.</li> <li>5. Improper water hardness (3 grains per gallon or less is recommended).</li> <li>6. Incorrect detergent for water type. Contact chemical supplier.</li> <li>7. Clogged rinse nozzle(s).</li> <li>8. Problem with Rinse Aid dispenser. Contact chemical supplier.</li> </ol>
Low Final Rinse Temperature With Built-In Booster Heater.	<ol style="list-style-type: none"> <li>1. Tank float not 'up' permitting heat to turn on or float is malfunctioning.</li> <li>2. Overtemp protector tripped. Contact Hobart Service.</li> <li>3. Circuit breaker to heat system tripped.</li> <li>4. Incoming water is below minimum temperature.</li> <li>5. If your temperature control needs adjustment, or if there is a booster heater failure, contact your local Hobart Service office.</li> </ol>

**NOTE:** If symptom(s) persists after possible causes have been checked, contact your local Hobart Service office.

SYMPTOM	POSSIBLE CAUSE
Inadequate Rinse.	<ol style="list-style-type: none"> <li>1. Dirty line strainer (Fig. 40) causing reduced water flow. Turn off water supply, remove strainer cap and screen. Clean screen. Reassemble.</li> <li>2. Low supply line pressure or dirty in-line rinse arm strainer.</li> <li>3. Clogged rinse nozzle(s).</li> </ol> <p><b>NOTE:</b> CLeN-EGR &amp; CLeN-ADV models have two final rinse supply lines.</p>
Continuous Rinse.	<ol style="list-style-type: none"> <li>1. Rinse actuator (Fig. 41) not moving freely.  <b>⚠ WARNING</b> Disconnect the electrical power to the machine and follow lockout/tagout procedures. There may be multiple circuits. Be sure all circuits are disconnected. Check actuator for free movement.</li> <li>2. Check for foreign object in mechanism, i.e., silverware.</li> <li>3. Rinse valve failed or jammed open.</li> <li>4. Standpipe(s) not seated properly – water draining and fill remains on.</li> </ol>
No Wash Tank Heat, Tanks Not Heating.	<ol style="list-style-type: none"> <li>1. The machine is equipped with low water safety devices which shut off heat if water level drops. Check for proper water level.</li> <li>2. Circuit breaker(s) to heat system tripped (electric heat).</li> <li>3. Check heat float for debris and free movement.</li> <li>4. Overtemp protector tripped or failed heating element (electric heat). Contact Hobart Service.</li> <li>5. The main gas supply valve is not open (gas heat).</li> <li>6. Make sure all standpipes are properly seated.</li> <li>7. Steam supply valve(s) are not opened completely or supply pressure is too low (steam heat).</li> <li>8. Bucket trap not functioning correctly (steam heat).</li> <li>9. Improperly operating steam solenoid valve(s) (steam heat).</li> </ol>
No or Slow Fill.	<ol style="list-style-type: none"> <li>1. Door(s) are open.</li> <li>2. Main fill (water supply valve) could be closed.</li> <li>3. Upper and/or lower fill floats do not move freely.</li> <li>4. Dirty line strainer (Fig. 40) causing reduced water flow. Turn off water supply, remove strainer cap and withdraw and clean screens. Reassemble.</li> <li>5. Problem with solenoid valve.</li> <li>6. Low incoming water supply pressure.</li> <li>7. Drain(s) open.</li> <li>8. Standpipe(s) not seated properly or placed in wrong tank.</li> </ol>
Leaking Vacuum Breaker.	<ol style="list-style-type: none"> <li>1. Foreign material or corrosion could be preventing proper valve operation. Shut off all incoming water supply line(s). Unscrew and lift bonnet from valve body. Clean valve and reassemble.</li> </ol>
Excessive Steam	<ol style="list-style-type: none"> <li>1. Vent stack damper not adjusted properly.</li> </ol>

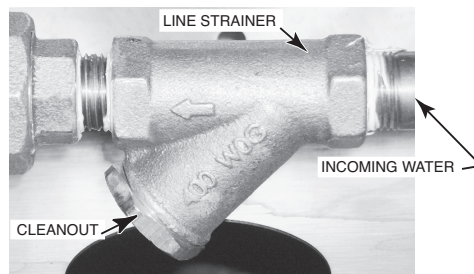


Fig. 40

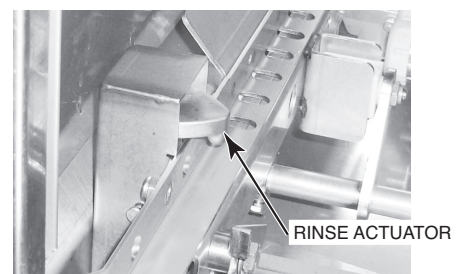


Fig. 41

**NOTE:** If symptom(s) persists after possible causes have been checked, contact your local Hobart Service office.

<b>DISPLAY READS</b>	<b>POSSIBLE RESOLUTION</b>
Door(s) Open	Close all inspection doors.
Unload Dishes	Remove rack from table limit switch at end of clean dish table (unload end).
Clear Conveyor Jam	Clear jam. Remove rack from machine. Press START and rerun rack.
Probe Err - [ Tank Name ]	Ensure lower float assembly in indicated tank is not visibly damaged and sufficient water is in the tank to cover the lower float.
Fnl Rinse Temp Low	<ol style="list-style-type: none"> <li>1. Check that the final rinse booster tank circuit breaker is on and not tripped (if equipped).</li> <li>2. Check that the final rinse booster tank overtemp circuit is not tripped (if equipped).</li> <li>3. Ensure that the building supply water to the dishwasher or final rinse booster tank is at the minimum specified temperature.</li> </ol>
Probe Error — FnlRns	Ensure that the supply water valve to the final rinse booster is open.
Check Water Level	<ol style="list-style-type: none"> <li>1. Ensure that all drains are closed and free of debris.</li> <li>2. Check that the water supply valve is open.</li> <li>3. Open inspection doors and check the water level of all tanks. Water should be about one inch down from the top of the strainer pan or higher.</li> <li>4. If tanks fail to fill after another 20 minutes, contact Hobart service.</li> </ol>
Reset Required	Place machine in Standby by pressing the Power key. Wait at least 60 seconds before powering on the machine.
Delime Recommended	Inspect machine interior for lime deposits. Refer to Deliming Procedure, page 31.
Change Water Soon	At your earliest convenience, change the wash water for best washability.
Water Change Req'd	Drain all tanks and allow machine to refill.
Energy Save Active Press STOP to Exit	Due to inactivity, the machine has gone into an idle mode; the heat has turned off. Press the STOP key to resume normal operation. Monitor temperatures as you resume warewashing activity.
Ventless Shutdown (CLeN-VL models only)	<ol style="list-style-type: none"> <li>1. Ensure all curtains are in place.</li> <li>2. Ensure air channel is free of debris.</li> <li>3. Ensure coil in wash tank is free of lime scale and debris.</li> <li>4. Turn off machine. Wait one minute. Turn machine on.</li> </ol>
Ventless Refrigerant Lo (CLeN-VL models only)	Contact Hobart Service

**NOTE:** If symptom(s) persists after possible causes have been checked, contact your local Hobart Service office.







# CLeN-SERIES DISHWASHERS LAVE-VAISSELLE DE LA GAMME CLeN LAVAVAJILLAS SERIE CLeN

MODEL MODÈLE MODELO	R-L OPERATION EXPLOITATION D A G FUNCIONAMIENTO D-I	L-R OPERATION EXPLOITATION G A D FUNCIONAMIENTO I-D
CL44eN-BAS/CL44eN-EGR/CL44eN-ADV	ML-138401-0000Z	ML-138402-0000Z
CLPS66eN-BAS/CLPS66eN-EGR/CLPS66eN-ADV	ML-138403-0000Z	ML-138404-0000Z
CLCS66eN-BAS/CLCS66eN-EGR	ML-138409-0000Z	ML-138410-0000Z
CL54eN-BAS/CL54eN-EGR/CL54eN-ADV	ML-138405-0000Z	ML-138406-0000Z
CLPS76eN-BAS/CLPS76eN-EGR/CLPS76eN-ADV	ML-138407-0000Z	ML-138408-0000Z
CLCS76eN-BAS/CLCS76eN-EGR	ML-138411-0000Z	ML-138412-0000Z
CL64eN-BAS/CL64eN-EGR/CL64eN-ADV	ML-138413-0000Z	ML-138414-0000Z
CLPS86eN-BAS/CLPS86eN-EGR/CLPS86eN-ADV	ML-138415-0000Z	ML-138416-0000Z
CLCS86eN-BAS/CLCS86eN-EGR	ML-138417-0000Z	ML-138418-0000Z
CL44eN-VL	ML-138470-0000Z	ML-138471-0000Z
CLPS66eN-VL	ML-138472-0000Z	ML-138473-0000Z



701 S. RIDGE AVENUE  
 TROY, OHIO 45374-0001  
 937 332-3000  
 www.hobartcorp.com

# DIRECTIVES DE SÉCURITÉ

CE MANUEL A ÉTÉ PRÉPARÉ À L'INTENTION D'UN PERSONNEL QUALIFIÉ ET AUTORISÉ À INSTALLER DES APPAREILS FONCTIONNANT AU GAZ ET À EXÉCUTER LE DÉMARRAGE INITIAL CHEZ LE CLIENT DE MÊME QUE LE RÉGLAGE DES APPAREILS DÉCRITS DANS CE MANUEL.

AFFICHER À UN ENDROIT VISIBLE LES PREMIERS SOINS À ADMINISTRER À TOUTE PERSONNE AYANT RESPIRÉ LES GAZ QUE CET APPAREIL DÉGAGE. ON PEUT SE PROCURER CES INFORMATIONS CHEZ LE FOURNISSEUR DE GAZ LE PLUS PRÈS.

## IMPORTANT

EN CAS D'ODEURS DE GAZ, ÉTEINDRE L'APPAREIL PAR LE ROBINET D'ARRÊT PRINCIPAL ET COMMUNIQUER AVEC LA COMPAGNIE DE GAZ LA PLUS PRÈS OU AVEC LE FOURNISSEUR DE GAZ DÉSIGNÉ POUR L'ENTRETIEN.

## MESURE DE SÉCURITÉ

NE PAS ENTREPOSER NI UTILISER D'ESSENCE OU TOUT AUTRE GAZ OU LIQUIDE INFLAMMABLE À PROXIMITÉ DE CET APPAREIL OU DE TOUT AUTRE APPAREIL.

## MESURE DE SÉCURITÉ À LIRE AVANT L'USAGE

NE PAS UTILISER CET APPAREIL SI UN COMPOSANT A ÉTÉ IMMERGÉ DANS L'EAU. COMMUNIQUER IMMÉDIATEMENT AVEC LE SERVICE DE L'ENTRETIEN HOBART POUR EN FAIRE L'INSPECTION ET POUR LE REMPLACEMENT DE TOUT COMPOSANT DU SYSTÈME DE COMMANDE OU TOUTE COMMANDE DE GAZ AYANT ÉTÉ IMMERGÉ DANS L'EAU.

EN CAS DE PANNE DE COURANT, NE PAS FAIRE FONCTIONNER CET APPAREIL.

## TABLE DES MATIÈRES

GÉNÉRALITÉS .....	4
Désinfection chimique .....	5
INSTALLATION .....	5
Déballage .....	5
Installation de l'ensemble de la pompe à chaleur sans conduit d'évacuation .....	5
Codes d'installation .....	5
Réglage de la hauteur et du niveau de l'appareil .....	5
Assemblage de tables à vaisselle .....	5
Écrans anti-éclaboussures .....	6
Qualité de l'eau .....	7
Plomberie .....	7
Raccordement de la conduite de vidange .....	7
Dispositif de mise à température des eaux usées (si le modèle en est équipé) .....	8
Raccordement des conduites de remplissage et de rinçage final .....	8
Installation du distributeur de produits chimiques .....	9
Raccordement de la conduite de vapeur (s'il y a lieu) .....	10
Raccordement de la conduite de gaz (s'il y a lieu) .....	10
Exigences de ventilation .....	11
Les hottes d'aspiration de type II .....	11
Conduit d'évacuation en « pantalon » .....	12
Exigences d'évacuation .....	14
Raccordement électrique – lave-vaisselle .....	14
Rotation du moteur – appareils triphasés .....	16
Raccordement électrique de l'équipement offert en option .....	16
Configuration du système de récupération d'énergie CLeN-EGR et CLeN-ADV .....	17
Configuration avis de détartrage .....	19
FONCTIONNEMENT .....	20
Préparation .....	20
Le lave-vaisselle équipé d'une zone de prélavage (PS ou CS) .....	20
Cuves de lavage et de rinçage .....	20
Les modèles CLeN-ADV .....	21
Les modèles CLeN-VL .....	21
Rideaux et portes .....	21
Installation des rideaux .....	22
Clavier et afficheur .....	25
Remplissage du lave-vaisselle .....	25
Démarrage du lave-vaisselle à chauffage au gaz (s'il y a lieu) .....	25
Températures minimales .....	25
Températures minimales de l'eau pour la désinfection à l'eau chaude .....	26
Températures minimales de l'eau pour la désinfection chimique à l'eau tempérée .....	26
Autres températures affichées .....	26
Alarme de température de rinçage trop basse (Temp RF bas.) .....	26
Alarme de température des cuves .....	26
Lavage .....	27
Mode casseroles et chaudrons .....	28
Interrupteur de fin de course offert en option .....	28
Minuterie automatique .....	28
Mode inactif .....	28
Mode Éconergie .....	28
Mode eau usée .....	28
NETTOYAGE .....	29
Procédure de détartrage .....	31
Avis Élimination du détartrage recommandée .....	32
À faire et à ne pas faire pour l'entretien d'un lave-vaisselle Hobart .....	32
PROGRAMMATION .....	33
Programmation des niveaux de sécurité .....	33
Directives de programmation .....	34
Touches et messages-guides affichés .....	34
Entrée dans le menu Paramètres .....	35
Navigation dans le menu Paramètres .....	35
ENTRETIEN .....	37
Conduit d'évacuation .....	37
Lubrification .....	37
Service de l'entretien .....	37
DÉPANNAGE .....	38

# Installation, fonctionnement et entretien LAVE-VAISSELLE DE LA GAMME CLeN DOCUMENT À CONSERVER

## GÉNÉRALITÉS

La gamme CLeN offre des lave-vaisselle à avancement automatique de paniers, c'est-à-dire qui déplacent les paniers d'une extrémité à l'autre de la machine, exposant la vaisselle à des zones progressives de lavage et rinçage. Les pompes et le rinçage final sont activés par l'insertion d'un panier pour dynamiser l'action du lavage ou rinçage requise. Les lave-vaisselle de la gamme CLeN se déclinent en plusieurs longueurs, sections et caractéristiques. Leur mécanisme à plusieurs vitesses est conçu pour satisfaire aux exigences de productivité et de performance. Tous les lave-vaisselle de la gamme CLeN sont équipés de commandes électriques à affichage numérique des températures.

Les modèles CLeN-EGR sont dotés d'un système de récupération d'énergie de l'eau de vidange qui comprend un dispositif de mise à température des eaux usées ainsi que de toutes les caractéristiques standards de la gamme CLeN. Ces lave-vaisselle sont munis d'un échangeur thermique pour capturer l'énergie issue des eaux usées et pour préchauffer l'eau froide d'arrivée destinée au rinçage final. Les appareils CLeN-EGR sont disponibles uniquement en triphasé et en mode de désinfection à l'eau chaude. Ils sont livrés standard avec un surchauffeur électrique intégré de 30 kW conçu pour maintenir la température du rinçage final à 82 °C (180 °F) et l'eau froide d'arrivée à une température minimale de 12,7 °C (55 °F).

Les modèles CLeN-ADV sont équipés d'un système d'évacuation automatique des déchets ainsi que de toutes les autres caractéristiques standards de la gamme CLeN-EGR. Après un prélavage, le système d'évacuation redirige automatiquement les résidus et les salissures vers un panier à déchets externe situé du côté chargement de l'appareil. Ce mécanisme permet de maintenir l'eau de lavage plus propre et de réduire la fréquence de changements d'eau. Cela permet également au consommateur de générer des économies de coûts sur les produits chimiques, l'eau et l'énergie. Les appareils de la gamme CLeN-ADV sont disponibles uniquement à chauffage électrique, en courant triphasé et en mode de désinfection à l'eau chaude, et sont livrés standard avec un surchauffeur électrique intégré de 30 kW. Les modèles de la gamme CLeN-ADV ne sont pas disponibles avec une zone de prélavage en coin (CLCS).

Les modèles CLeN-VL ont un système sans conduit d'évacuation et comprennent toutes les caractéristiques standard des modèles CLeN de base. Le système sans conduit d'évacuation utilise une technologie de pompe à chaleur à haut rendement énergétique combinée à la récupération d'énergie pour supprimer le besoin d'évacuation directe tout en fournissant une chaleur auxiliaire au réservoir de lavage. Les machines CLeN-VL ne nécessitent qu'une seule alimentation en eau froide et ne sont disponibles qu'en mode de désinfection à l'eau chaude, chauffage électrique, alimentation en tension triphasée, et sont équipées en standard d'un surchauffeur intégré de 30 kW.

Construction en acier inoxydable des cuves, bâtis, tunnels, pattes et pieds réglables. Les portes de visite à charnières permettent l'accès rapide dans les zones de lavage et de rinçage. Les modèles CLPS offrent une zone de prélavage sous pression de 22 po (559 mm) avec porte de visite à charnières. Ce puissant prélavage élimine les grosses particules avant l'entrée du panier dans le lave-vaisselle

Cette gamme de lave-vaisselle Hobart offre trois types d'appareils à angle droit pour les installations en coin (non disponible sur les modèles CLeN-VL) :

- Le chargeur latéral fait effectuer au panier un angle de 90° de la zone de déblayage. vers l'appareil.
- Le déchargeur automatique fait effectuer au panier un angle de 90° de la sortie de l'appareil vers la table de déchargement de la vaisselle propre.
- La zone de prélavage en coin (modèles CLCS) fournit une zone prélavage sous pression dans le coin de l'installation situé à l'entrée de l'appareil, combinant entrée à angle droit et zone de prélavage.

## DÉSINFECTION CHIMIQUE

Les lave-vaisselle peuvent être convertis pour fonctionner en mode désinfection à eau tempérée (en utilisant des désinfectants chimiques). Consulter les directives de programmation du mode de désinfection à la page 36. **REMARQUE** : La désinfection chimique n'est pas disponible sur les modèles CLeN-EGR, CLeN-ADV ou CLeN-VL.

Lors de la mise sous tension du lave-vaisselle, l'afficheur indique « Eau chaude » si la désinfection à l'eau chaude est activée tandis que l'indication « Chimique » signifie que la désinfection chimique (à l'eau tempérée) est activée.

Les modèles CLeN à désinfection chimique nécessitent une température minimale de l'eau d'entrée de 49 °C (120 °F). Les éléments chauffants des cuves haussent la température à 54 °C (130 °F) pour le lavage (et le rinçage sous pression le cas échéant).

# INSTALLATION

## DÉBALLAGE

Immédiatement après avoir déballé le lave-vaisselle, vérifier s'il n'a pas été endommagé lors du transport. En cas de dommages, conserver le matériel d'emballage et communiquer avec le transporteur dans les 5 jours suivant la réception.

**REMARQUE** : Pour les modèles CLeN-VL, l'ensemble de la pompe à chaleur sans conduit d'évacuation est livré séparément sur sa propre palette.

Avant d'installer l'appareil, s'assurer que l'alimentation électrique de l'immeuble correspond aux spécifications de la plaque signalétique apposée du côté gauche du poste de commande.

Après avoir retiré l'emballage de protection, sortir les articles rangés à l'intérieur du lave-vaisselle (tuyau de trop-plein ou conduite verticale, écrans anti-éclaboussures, rideaux, bouchons supplémentaires de bras de lavage, ensemble de bouchons pour trous de l'enceinte et pochette de documentation avec mode d'emploi). Pour les modèles CLeN-ADV seulement, retirer le panier externe lié à l'évacuation automatique des déchets situé à l'intérieur du lave-vaisselle et installer le panier dans le compartiment prévu à cet effet situé du côté chargement de l'appareil.

## INSTALLATION DE L'ENSEMBLE DE LA POMPE À CHALEUR SANS CONDUIT D'ÉVACUATION

Se référer au manuel d'installation du CLeN sans conduit d'évacuation du Service Hobart, F-45820.

## CODES D'INSTALLATION

L'installation doit être effectuée selon les codes locaux en vigueur ou, en l'absence de pareils codes :

Au Canada : conformément aux normes CAN/CSA B 149.1 (dernière édition) et CSA C22.1 (dernière édition).

Aux États-Unis : conformément aux normes ANSIZ223.1 (dernière édition) du National Fuel Gas Code, si elle s'applique, et ANSI/FPA n° 70 (dernière édition) du National Electric Code.

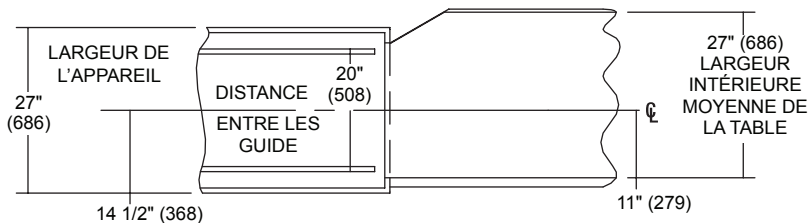
## RÉGLAGE DE LA HAUTEUR ET DU NIVEAU DE L'APPAREIL

Placer le lave-vaisselle à l'endroit prévu. Régler la hauteur et le niveau de l'appareil en vissant ou dévissant les pieds réglables au besoin.

## ASSEMBLAGE DE TABLES À VAISSELLE

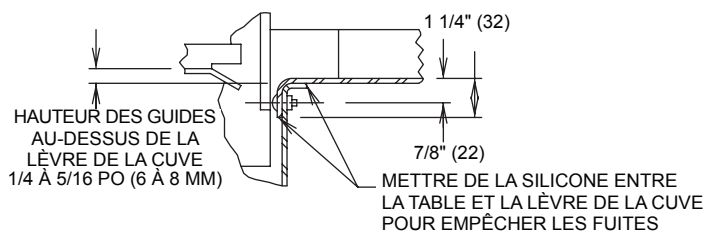
Installer les tables à vaisselle correspondant aux dimensions de l'appareil (Fig. 1, 2 et 3). Appliquer de la silicone entre la table et la lèvres de la cuve pour éviter les fuites. La hauteur des guides servant à acheminer les paniers doit être de 6 à 8 mm (1/4 à 5/16 po) au-dessus de la lèvres (Fig. 2). Les tables à vaisselle doivent être inclinées pour que l'eau sortant du lave-vaisselle revienne vers lui mais non pas l'eau de la zone de déblayage.

**REMARQUE** : Avant l'assemblage des tables et la plomberie, placer le lave-vaisselle à l'endroit prévu, puis s'assurer qu'il est à la bonne hauteur et de niveau.



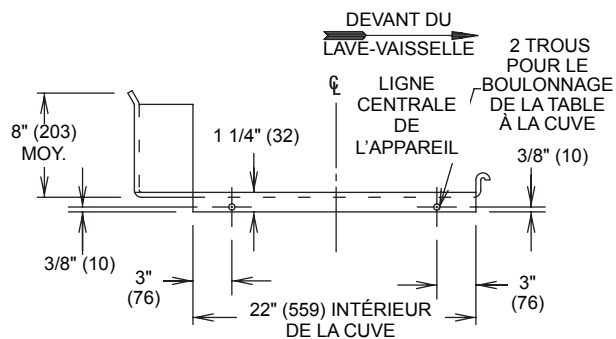
DISPOSITION SUGGÉRÉE DE LA TABLE ET DES GUIDES

Fig. 1



VUE EN COUPE DU RACCORDEMENT DE LA TABLE

Fig. 2



VUE DE L'EMPLACEMENT DES TROUS DANS LA SECTION DE LA TABLE Tournée VERS LE BAS

Fig. 3

Pour les installations du CLeN-VL, les hottes prolongées peuvent être ajustées pour s'adapter aux variations des plateaux pour plats en desserrant les trois vis.

## ÉCRANS ANTI-ÉCLABOUSSURES

Sur tous les modèles CLeN (sauf les modèles CLeN-VL), deux écrans anti-éclaboussures sont expédiés avec la machine pour être installés sur la face avant des extrémités de chargement et de déchargement de la machine. Monter les écrans anti-éclaboussures aux extrémités de la chambre à l'aide du matériel fourni. Les écrans anti-éclaboussures doivent être installés à l'intérieur du rebord de la table pour empêcher l'eau de s'écouler sur le sol (Fig. 4).



Fig. 4



## QUALITÉ DE L'EAU

La qualité de l'eau peut améliorer la performance du lave-vaisselle en diminuant la formation de taches et les coûts d'utilisation de produits chimiques, en renforçant l'efficacité de la main d'œuvre et en prolongeant la durée de vie de l'appareil. La qualité de l'eau varie d'un endroit à l'autre. Le traitement de l'eau recommandé pour l'utilisation efficace de cet appareil varie selon les conditions de l'eau de l'endroit. Avant d'installer l'appareil, consulter le fournisseur municipal pour obtenir plus de détails concernant la qualité de l'eau.

La dureté de l'eau recommandée est de 51 PPM dans 3,8 L (3 grains au gallon). Le chlorure ne doit pas dépasser 50 parties par million. Si la dureté de l'eau dépasse 51 PPM pour 3,8 L (3 grains au gallon), traiter à l'aide d'un conditionneur d'eau (adoucisseur d'eau ou traitement d'eau direct). Le traitement de l'eau permet de réduire les coûts relatifs au nettoyage de l'appareil, les dépôts de calcaire dans le lave-vaisselle et la quantité de détergent utilisée.

**REMARQUE :** Pour les modèles CLeN-VL, les dommages au système de pompe à chaleur dus à une mauvaise qualité de l'eau peuvent ne pas être couverts par la garantie Hobart.

Il est recommandé de filtrer les particules en suspension ou de procéder à un traitement par osmose inverse pour les dépôts, la silice, les excès de chlorure ou pour toutes autres matières dissoutes.

Si, à la suite du fonctionnement du lave-vaisselle et du surchauffeur, une inspection de ces appareils révèle la formation de dépôts calcaires, un traitement d'eau direct doit être envisagé et, si recommandé, l'installer puis l'utiliser selon la prescription. Communiquer avec le Service de l'entretien Hobart le plus près pour davantage d'information.

## PLOMBERIE

**▲ AVERTISSEMENT :** La tuyauterie doit être conforme aux codes de santé, de sécurité et de plomberie en vigueur.

Le plombier qui raccorde la plomberie doit s'assurer de BIEN VIDANGER les conduites d'eau et de vapeur AVANT de brancher un robinet manuel ou une vanne électromagnétique.

Cette vidange est nécessaire afin d'évacuer toutes les matières étrangères telles que des éclats de métaux (suite à la coupe ou au filetage de tuyaux), de la pâte à joints provenant des conduites ou, si on a utilisé des raccords soudés, des morceaux de soudure ou de métal. Les débris non vidangés risquent de se loger dans les appareils de robinetterie et d'entraver leur fonctionnement. Les robinets manuels ou les vannes électromagnétiques encrassés par des matières étrangères et tous les coûts que cela engendre NE sont PAS de la responsabilité du fabricant.

### Raccordement de la conduite de vidange

La conduite de vidange commune des cuves ne nécessite qu'un seul raccordement à un siphon de sol. Ce raccordement peut se faire à l'une ou l'autre des extrémités de la conduite. Un bouchon est fourni pour l'extrémité opposée au raccordement. **REMARQUE :** Pour les modèles CLeN-EGR et CLeN-ADV, il peut être nécessaire de déplacer la tuyauterie du drain installé en usine vers le côté opposé du châssis du drain (Fig. 5). Raccorder la conduite de vidange (Fig. 6) au siphon de sol au moyen d'un tuyau de 51 mm (2 po) NPT. Si un code exige l'utilisation d'un séparateur de graisse, son débit doit être de 117 L/min (38 gal U.S./min).



Fig. 5



Fig. 6

## Dispositif de mise à température des eaux usées (si le modèle en est équipé)



Fig. 7

Un dispositif de mise à température des eaux usées est inclus dans tous les modèles CLeN-EGR et CLeN-ADV et en option pour tous les modèles CLeN-BAS et CLeN-VL. Refer to F-45654 CLeN Drain Water Tempering Kit Installation Instructions. Pour une installation correcte, se reporter aux instructions d'installation de la trousse de drainage de l'eau de trempage F-45654 CLeN fournies avec la trousse. **REMARQUE** : Pour les modèles CLeN-EGR et CLeN-ADV, le thermostat de drainage de l'eau de trempage est monté sur le cadre derrière le panneau avant (Fig. 7). Le capillaire du thermostat doit être acheminé et installé dans la conduite d'évacuation au point de raccordement installé en usine.

## Raccordement des conduites de remplissage et de rinçage final

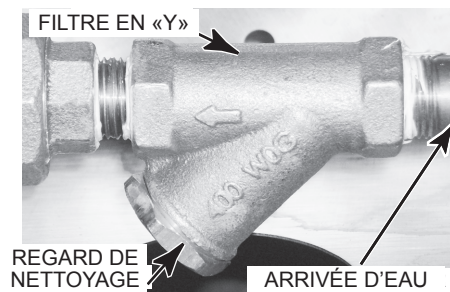


Fig. 8

Les modèles CLeN-BAS requièrent un seul tuyau d'arrivée d'eau chaude. Les modèles CLeN-EGR et CLeN-ADV nécessitent une alimentation en eau chaude et froide. Les modèles CLeN-VL nécessitent une seule alimentation en eau froide. Utiliser un tuyau de 13 mm (1/2 po) de diamètre intérieur pour le raccordement de la canalisation d'arrivée d'eau (Fig. 8). Maintenir la pression entre 103 et 172 kPa (15 à 25 psi). Pour des canalisations de longue distance, utiliser des tuyaux de plus grande dimension en prenant soin d'y appliquer plus d'isolant pour assurer la pression et la température appropriées. Sur les modèles CLeN-BAS sans surchauffeur électrique intégré, si la pression d'écoulement dépasse 25 psig, un réducteur de pression (fourni par d'autres) doit être installé sur la conduite d'alimentation en eau avant le surchauffeur électrique. Sur les modèles CLeN-BAS avec surchauffeur intégré et sur tous les modèles CLeN-EGR, CLeN-ADV et CLeN-VL, des réducteurs de pression sont installés en usine dans les conduites d'alimentation en eau.

Pour les exigences en matière de température, consulter le tableau ci-dessous des températures de l'eau entrante.

**▲ AVERTISSEMENT :** Le manomètre doit être doté d'un détendeur de pression. L'usage d'un manomètre inapproprié peut endommager l'appareil.

Un manomètre est fourni pour maintenir la pression appropriée de l'eau.

### EXIGENCES THERMIQUES DE L'EAU D'ARRIVÉE CI-DESSOUS

Modèle	Mode de désinfection	Raccordement	Température de l'eau d'arrivée	
			Minimale	Maximale
CLeN-BAS sans surchauffeur intégré	À l'eau chaude	Eau chaude	180°F (82°C)	194°F (90°C)
CLeN-BAS sans surchauffeur intégré	Chimique	Eau chaude	120°F (49°C)	S/O
CLeN-BAS avec surchauffeur intégré de 15 kW	À l'eau chaude	Eau chaude	140°F (60°C)	S/O
CLeN-BAS avec surchauffeur intégré de 30 kW	À l'eau chaude	Eau chaude	110°F (43°C)	S/O
CLeN-EGR et CLeN-ADV avec surchauffeur intégré de 30 kW	À l'eau chaude	Eau froide	55°F (13°C)	80°F (27°C)
		Eau chaude	110°F (43°C)	S/O
CLeN-VL avec surchauffeur intégré de 30 kW	À l'eau chaude	Eau froide	55°F (13°C)	80°F (27°C)

## INSTALLATION DU DISTRIBUTEUR DE PRODUITS CHIMIQUES

Ce lave-vaisselle doit être équipé d'un distributeur de détergent et, s'il y a lieu, d'un distributeur de désinfectant dotés d'un moyen d'en contrôler visuellement la distribution ou d'une alarme sonore ou visuelle signalant le manque de produits dans les systèmes respectifs de lavage et de rinçage. Les distributeurs de produits chimiques sont offerts en sous-traitance. Pour le raccordement électrique, consulter la section Raccordement de l'équipement offert en option à la page 16.



Fig. 9

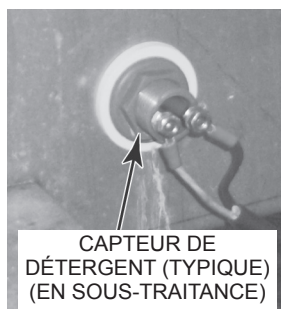


Fig. 10

### Distributeur de détergent

Le fournisseur du distributeur de détergent effectue l'installation d'une entrée semblable à celle illustrée à la figure 9 pour la distribution du détergent dans la cuve de lavage.

**REMARQUE :** Un orifice obstrué en usine est prévu à l'arrière de la machine dans la paroi du réservoir. Ne pas installer l'orifice de détergent au-dessus du joint de la chambre/réservoir. Pour les modèles CLPS66eN-VL, afin de faciliter l'installation, un orifice prolongé pour le détergent est prévu sur le côté arrière du réservoir de prélavage.

Un dispositif de contrôle électronique semblable à celui illustré à la figure 10 est également installé sur le côté de la cuve de lavage pour signaler au distributeur la concentration de détergent adéquate à maintenir.

### Distributeur d'agent de rinçage

L'agent de rinçage est habituellement introduit dans l'eau de rinçage final par l'une des entrées de la conduite d'alimentation en eau situées sous le manomètre (Fig. 11).

### Distributeur de désinfectant chimique

Le désinfectant chimique (sur les machines CLeN-BAS utilisant une désinfection à basse température) est introduit dans l'eau de rinçage final par l'autre entrée de la conduite d'alimentation en eau située sous le manomètre (Fig. 11).



Fig. 11

## RACCORDEMENT DE LA CONDUITE DE VAPEUR (chauffage à la vapeur, s'il y a lieu)

**REMARQUE :** La pression d'alimentation en vapeur doit convenir au purgeur de vapeur (fourni) calibré pour une pression différentielle se situant entre 69 et 345 kPa (10 et 50 psi). Si la pression excède 345 kPa (50 psi), installer un régulateur de pression (non fourni) dans la conduite d'alimentation. Le débit de vapeur est régulé par des vannes électromagnétiques.

Pour l'installation de serpentins à vapeur dans les appareils à un bac, deux raccords par serpentins sont nécessaires, un pour l'alimentation et l'autre pour le retour. Pour l'installation de serpentins dans les appareils à deux bacs, trois raccords par serpentins sont nécessaires, un pour l'alimentation et deux autres (un par bac) pour le retour.

## RACCORDEMENT DE LA CONDUITE DE GAZ (chauffage au gaz, s'il y a lieu)

Vérifier le type de gaz requis sur la plaque signalétique du lave-vaisselle sur le côté du boîtier de commande ou sur l'étiquette attachée à la tubulure de gaz du brûleur. Tous les appareils sont expédiés pour un fonctionnement au gaz naturel. Si la conversion au gaz propane est requise, un nécessaire de conversion avec directives est fourni et doit être installé avant la mise en marche de l'appareil.

Le brûleur n'est pas réglable. Si la pression de la conduite est supérieure à 1,74 kPa (7 po de colonne d'eau) pour le gaz naturel ou à 2,74 kPa (11 po de colonne d'eau) pour le gaz propane, installer un détendeur additionnel (non fourni) dans la conduite d'alimentation. La pression statique de la conduite d'entrée ne doit pas excéder 3,48 kPa (14 po de colonne d'eau) tant pour le gaz naturel que pour le gaz propane.

**▲ AVERTISSEMENT :** La conduite d'alimentation du gaz doit être munie d'un robinet d'arrêt conformément aux codes. Vérifier la présence de fuites dans l'appareil et les raccordements au gaz avant de le faire fonctionner. Effectuer la vérification à l'aide d'eau savonneuse. **NE PAS utiliser de flamme nue.**

L'installation de cet appareil doit se faire selon les codes locaux ou, en l'absence de tels codes, conformément aux normes canadiennes CAN/CSA B149.1 et CSA C22.1 (dernières éditions); aux États-Unis, conformément aux normes ANSI Z223.1 (dernière édition) du National Fuel Gas Code disponible auprès de l'American Gas Association, Inc., 1515 Wilson Blvd., Arlington, VA 22209.

**REMARQUES :** Pour les raccordements des conduites de gaz, utiliser le Loctite (n° de pièce Hobart 546292) ou un produit d'étanchéité flexible convenant au gaz naturel ou propane.

- Si la pression de la canalisation de gaz est supérieure à 3,45 kPa (1/2 psi) lors d'essais de pression, débrancher l'appareil et le robinet d'arrêt de la conduite de gaz.
- Lorsque la pression d'essai est égale ou inférieure à 3,45 kPa (1/2 psi), isoler l'appareil de la canalisation de gaz en fermant son robinet d'arrêt manuel.

### ALIMENTATION EN GAZ

Modèles	Type de gaz	BTU/h	Dimension de la conduite d'entrée mm (po)	Pression de débit du gaz – non statique kPa (po colonne d'eau)		
				Pression de la conduite d'entrée		Pression d'admission
				Minimale	Maximale	
CL44eN, CLPS66eN CL54eN, CLPS76eN	Naturel Propane	78 000 78 000	13 (1/2) NPT 13 (1/2) NPT	0,87 (3,5) 2,24 (9,0)	1,74 (7,0) 2,74 (11,0)	0,80 (3,2) 2,04 (8,2)
CL64eN, CLPS86eN	Naturel Propane	156 000 156 000	19 (3/4) NPT 19 (3/4) NPT	0,87 (3,5) 2,24 (9,0)	1,74 (7,0) 2,74 (11,0)	0,80 (3,2) 2,04 (8,2)

Dissiper la pression d'essai dans la conduite d'alimentation en gaz avant de la raccorder à l'appareil et à son robinet d'arrêt manuel.

**REMARQUE :** Ne pas se conformer à ces directives peut causer le bris de la soupape à gaz.

**▲ AVERTISSEMENT :** Les lave-vaisselle à chauffage au gaz doivent être équipés d'un dispositif d'évacuation des gaz brûlés vers l'extérieur du bâtiment.

Consulter les exigences de ventilation aux pages 11 – 14.

Installer l'appareil de manière à favoriser l'apport d'air nécessaire à la combustion et à la ventilation. Éviter les fils électriques ou conduites de plomberie dans la zone d'évacuation des gaz brûlés. Observer un dégagement suffisant autour des ouvertures d'approvisionnement d'air de la chambre de combustion. Assurer une ventilation suffisante dans la pièce pour permettre la combustion des gaz.

Aucune substance combustible ne doit se trouver à proximité de cet appareil. Veiller à ne pas obstruer les ouvertures d'approvisionnement d'air nécessaire à la combustion et à la ventilation. Observer un dégagement d'au moins 76 mm (3 po) de toute construction combustible derrière l'appareil. Par contre, aucun dégagement n'est requis de chaque côté de l'appareil. Un dégagement minimal de 584 mm (23 po) est requis devant l'appareil et un autre de 508 mm (20 po) de chaque côté pour faciliter l'entretien et l'exploitation du lave-vaisselle.

L'allumage du brûleur est produit automatiquement par un ensemble de circuits électroniques à semi-conducteurs; aucune veilleuse requise. Le circuit de commande de la température règle le débit de gaz.

## EXIGENCES DE VENTILATION

Pour les modèles CL2N-VL, aucun conduit en Y ou hotte de ventilation n'est requise. Veiller à ce que le système de chauffage, de ventilation et de climatisation de la pièce de vaisselle soit suffisamment dimensionné pour gérer la dissipation de la chaleur des lave-vaisselle (chaleur latente et sensible). Aucune grille d'alimentation ou de retour de climatiseur ne doit être installée à moins de 24 po de l'assemblage de la pompe à chaleur.

### Les hottes d'aspiration de type II

La plupart des lave-vaisselle commerciaux doivent être équipés d'un système de ventilation vers l'extérieur conformément aux codes locaux. Les lave-vaisselle électriques ou à vapeur à désinfection chimique font exception puisque le système de ventilation de la pièce suffit à dissiper les vapeurs émanant des appareils. Consulter les codes locaux pour assurer la conformité des installations.

Une hotte d'aspiration (Fig. 12) ou un conduit d'aspiration en « pantalon » (Fig. 13) peuvent être installés au-dessus d'un lave-vaisselle pour assurer la ventilation.

Les lave-vaisselle Hobart de la gamme CLeN équipés du chauffage au gaz ne sont pas dotés d'une buse de raccord et leur conception ne prévoit pas le raccordement direct du conduit d'évacuation des gaz brûlés à un système de ventilation. Toutefois, les produits de la combustion doivent être évacués à l'extérieur. L'air aspiré ne doit pas être évacué dans un mur, un plafond ou un espace caché de l'immeuble. Une hotte d'aspiration couvrant la totalité du lave-vaisselle (Fig. 12) peut être utilisée pour évacuer l'humidité de l'enceinte de lavage comme les de gaz brûlés de la chambre de combustion. Le débit d'échappement nécessaire à l'évacuation de l'humidité et des gaz brûlés à l'aide d'une seule hotte d'aspiration couvrant tout le lave-vaisselle doit être calculé selon les Exigences d'évacuation présentées à la page 14.

Il est recommandé d'installer une hotte d'aspiration de type II. Les hottes d'aspiration commerciales fabriquées en usine peuvent être homologuées conformément à la norme 710 de l'Underwriters Laboratory intitulée : *Exhaust Hoods for Commercial Cooking Equipment* (Hotte d'aspiration pour appareils de cuisson commerciaux). Ces hottes doivent être installées selon les directives du fabricant. Assurer une ventilation suffisante pour que le débit d'échappement produise une pression positive à l'intérieur de la pièce où est située l'unité (plus d'air ambiant que d'air d'échappement). Les hottes d'aspiration n'étant pas conformes à la norme 710 de l'Underwriters Laboratory de même que celle faites sur mesure doivent répondre aux spécifications suivantes : inox de calibre 24 (0,5 mm ou 0,022 po d'épaisseur) ou cuivre en feuille de 7,32kg/m<sup>2</sup> (24 oz/pi<sup>2</sup>); ces hottes doivent être fixées avec des supports non combustibles et respecter les Exigences d'évacuation présentées à la page 14.

## HOTTE D'ASPIRATION DE TYPE II

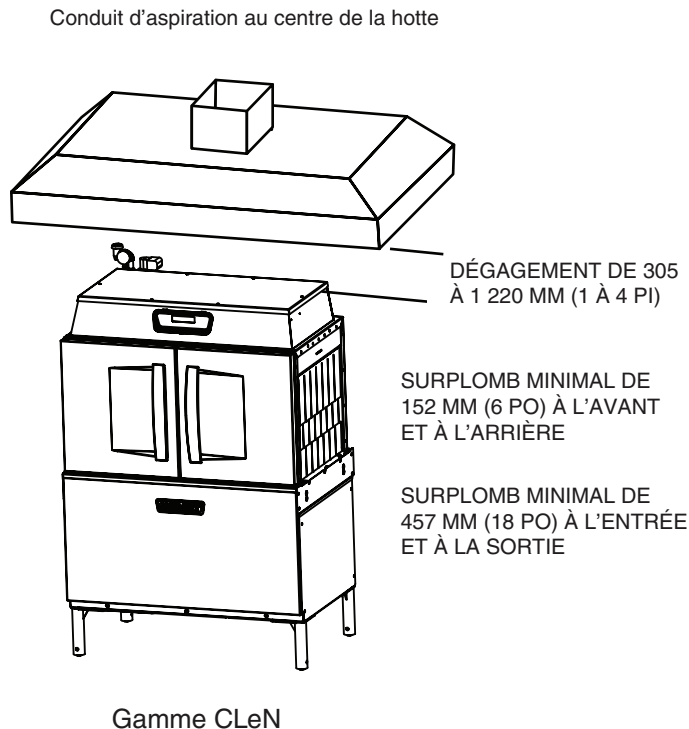


Fig. 12

### Conduit d'évacuation en « pantalon »

**⚠ AVERTISSEMENT :** Les lave-vaisselle à chauffage au gaz doivent être équipés d'un dispositif d'évacuation des gaz brûlés vers l'extérieur du bâtiment.

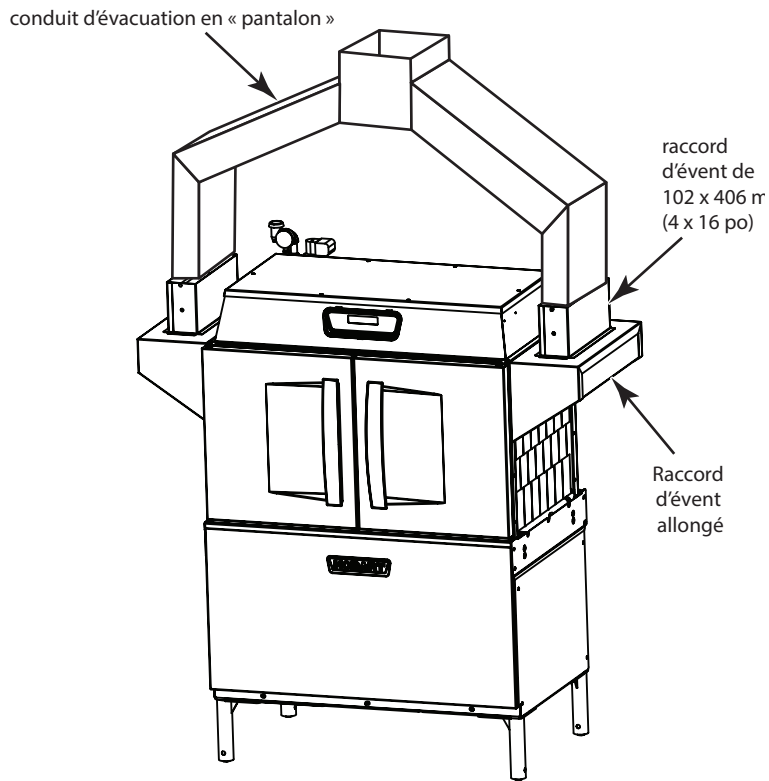
Un conduit d'évacuation en « pantalon » (Fig. 13) seul NE SUFFIT PAS à l'évacuation des gaz brûlés s'échappant du conduit d'évacuation des gaz brûlés à l'arrière du lave-vaisselle. Une mini-hotte d'aspiration (Fig. 14) ou une hotte d'aspiration complète doit également être installée (Fig. 12).

L'air humide s'échappe à chaque extrémité du lave-vaisselle. L'échappement maximal recommandé à l'entrée est de 5,7 m<sup>3</sup>/min (200 pi<sup>3</sup>/min) et de 11,3 m<sup>3</sup>/min (400 pi<sup>3</sup>/min) à la sortie. Des hottes d'aspiration et hottes d'aspiration allongées offertes en option peuvent être installées à chaque extrémité de l'appareil. Assurer une ventilation suffisante pour que le débit d'échappement produise une pression positive à l'intérieur de la pièce où est située l'unité (plus d'air ambiant que d'air d'échappement). Les hottes sont pourvues de raccords d'évent mesurant 102 x 406 mm (4 x 16 po) et de registres permettant les réglages lors de l'installation. Une hotte typique est conçue pour être branchée à un conduit d'évacuation en « pantalon » se branchant aux raccords d'évent de 102 x 406 mm (4 x 16 po) (Fig. 13). Les colonnes d'évent doivent être étanches et s'adapter aux raccords d'évent.

Un conduit d'évacuation en « pantalon » nécessite l'utilisation d'une mini-hotte d'évacuation (Fig. 14) pour évacuer les gaz brûlés des appareils au gaz. L'installer à environ 457 mm (18 po) au-dessus de la sortie du conduit des gaz brûlés à l'arrière de l'appareil et raccorder à la conduite de ventilation existante. Le débit d'évacuation de gaz brûlés de la mini-hotte d'aspiration doit être inférieur à 5,7 m<sup>3</sup>/min (200 pi<sup>3</sup>/min).

Dans les deux cas, si le dispositif d'échappement est alimenté à l'électricité, un verrou électrique doit être installé pour permettre l'alimentation en gaz du lave-vaisselle seulement lorsque le dispositif d'échappement est en marche.

Pour de plus amples renseignements, se référer aux normes ANSI Z223.1, NFPA 54 du National Gas Fuel Code et CAN/CSA B149.1 (dernière édition). Les codes locaux prévalent dans tous les cas.



GAMME CLeN

Fig. 13

MINI-HOTTE D'ASPIRATION

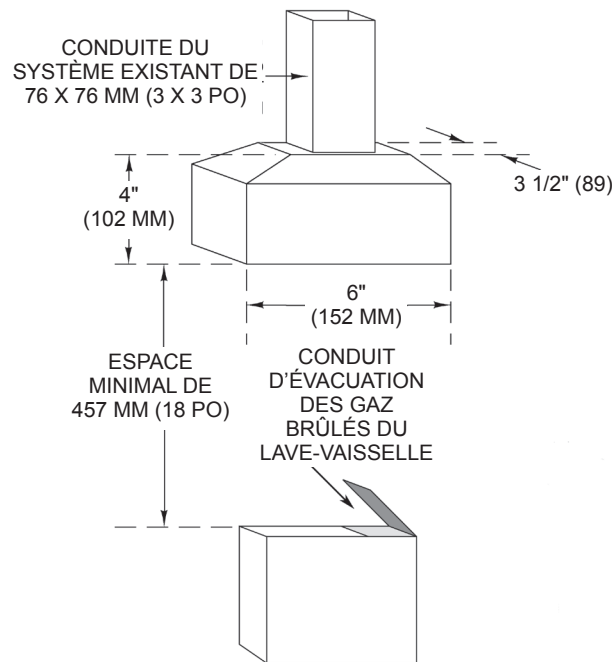


Fig. 14

## Exigences d'évacuation

Les explications suivantes sont tirées du *2015 International Mechanical Code* :

Le débit d'air nécessaire d'une hotte d'aspiration est calculé selon la longueur linéaire de la hotte prise à l'avant de la hotte, parallèlement à l'avant de l'appareil (voir LONGUEUR à la Fig. 12). Le débit minimal net pour les hottes d'aspiration de type II utilisées avec des lave-vaisselle est de 9,3 m<sup>3</sup>/min par mètre de longueur (100 pi<sup>3</sup>/min par pied). Il suffit de multiplier cette valeur par la longueur de la hotte pour obtenir le débit d'évacuation requis.

Soustraire ensuite à ce débit total le débit de la circulation d'air ambiant fournissant directement la hotte d'aspiration, s'il y a lieu.

Pour les modèles de hottes d'aspiration pour lesquelles les calculs précédents ne s'appliquent pas, consulter la dernière édition du *International Mechanical Code* ou tout autre code local.

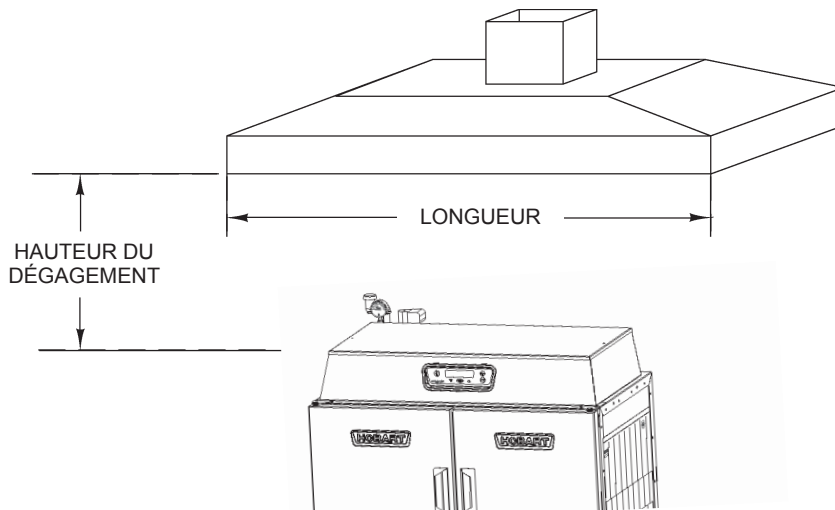


Fig. 15

## RACCORDEMENT ÉLECTRIQUE – LAVE-VAISSELLE

**▲ AVERTISSEMENT :** Le raccordement électrique et la mise à la terre doivent être conformes aux normes concernées du code canadien de l'électricité et/ou de tout autre code d'électricité en vigueur.

**▲ AVERTISSEMENT :** Débrancher l'appareil et suivre la procédure d'étiquetage et de verrouillage. Il peut y avoir plusieurs circuits. S'assurer que tous les circuits sont débranchés.

Brancher une source d'alimentation électrique permanente à la plaque à bornes du poste de commande situé sur le dessus du lave-vaisselle. Les détails du raccordement électrique se trouvent sur la plaque signalétique et le schéma de câblage à l'intérieur du couvercle du poste de commandes.

**REMARQUE :** Les lave-vaisselle CLeN ne sont pas équipés d'une protection GFCI interne.

Les lave-vaisselle CLeN (électriques, à gaz ou à vapeur par chauffage du réservoir) qui ne sont pas équipés du surchauffeur électrique interne de Hobart, sortent de l'usine câblés pour une connexion électrique en un seul point qui comprend les moteurs, les commandes et le chauffage du réservoir. Les modèles de chauffage électrique à réservoir peuvent être convertis sur place en configurations électriques à deux ou plusieurs points. Les instructions de conversion se trouvent dans le boîtier de commande du lave-vaisselle, situé sur le dessus de l'appareil. **REMARQUE :** Pour les machines à chaleur électrique, la connexion électrique à point unique n'est disponible que sur les configurations de tension triphasée. Les unités de chauffage électrique monophasées sont livrées avec une configuration électrique à deux points.



Toutes les machines 480/60/3, 380/60/3 (à l'exception des modèles à deux réservoirs à chauffage électrique) et 600/60/3 équipées du surchauffeur électrique interne de Hobart sortent de l'usine câblées pour une connexion électrique à point unique qui comprend les moteurs et les commandes, le chauffage électrique du réservoir (le cas échéant) et le surchauffeur électrique. L'unité peut être convertie sur place en configurations électriques à deux ou plusieurs points. Les instructions de conversion se trouvent dans le boîtier de commande du lave-vaisselle, situé sur le dessus de l'appareil.

Pour toutes les autres tensions sur les lave-vaisselle CLeN équipés du surchauffeur électrique interne de Hobart, l'unité sera expédiée de l'usine configurée pour des connexions électriques doubles; des trousse de connexion électrique à point unique installées sur place sont disponibles. Les trousse comprennent tous les fils, fusibles, borniers et instructions de câblage nécessaires pour configurer la machine en vue d'une connexion électrique à point unique, ce qui inclut les moteurs et les commandes, le chauffage électrique du réservoir (le cas échéant) et le surchauffeur électrique. Reportez-vous au tableau ci-dessous pour déterminer quelle trousse à point unique est nécessaire en fonction du modèle, du type de chauffage du réservoir et de la tension.

**REMARQUE :** La connexion électrique à point unique n'est pas disponible en configuration standard sur les modèles CL44eN-VL, CLPS66eN-VL, CL64T et sur d'autres configurations diverses de dispositifs spéciaux. Contactez le service commercial de Hobart pour toute question concernant les configurations spéciales.

Température du réservoir	Modèle	Volts/Hz/Ph	Trousse d'accessoires de ventes
Électrique	CL44eN CL54eN CLPS66eN CLCS66eN CLPS76eN CLCS76eN	200/50/3	SGLPT-KIT4-CLE
		208/60/3	
	CL64eN CLPS86eN CLCS86eN	200/50/3	SGLPT-KIT3-CLE
		208/60/3	
		240/60/3	
	CL44eN CL54eN CLPS66eN CLCS66eN CLPS76eN CLCS76eN	CL64eN CLPS86eN CLCS86eN	240/60/3
380/60/3			
		380-415/50/3	
Gaz	CL44eN CL54eN CL64eN CLPS66eN CLPS76eN CLPS86eN	208-240/60/3	
Vapeur	CL44eN CL54eN CL64eN CLPS66eN CLCS66eN CLPS76eN CLCS76eN CLPS86eN CLCS86eN	200-240/50/3	
		208-240/60/3	

## Rotation du moteur – appareils triphasés

**REMARQUE :** Avant de faire fonctionner un lave-vaisselle triphasé, s'assurer que le convoyeur circule dans la bonne direction. Le poste de commande est précâblé en usine pour assurer le même sens de rotation à tous les moteurs. Si le sens de rotation du moteur de convoyeur est le bon, le sens de rotation des moteurs de pompes sera également bon. Un sens de rotation erroné entraîne le mauvais fonctionnement.

Pour vérifier le sens de rotation des moteurs :

Fermer les portes du lave-vaisselle, appuyer sur la touche ALIMENTATION [POWER] et laisser la cuve se remplir. Une fois le remplissage terminé, appuyer de nouveau sur la touche ALIMENTATION [POWER] pour éteindre l'appareil.

**▲ AVERTISSEMENT :** **Débrancher l'appareil et suivre la procédure d'étiquetage et de verrouillage. Il peut y avoir plusieurs circuits. S'assurer que tous les circuits sont débranchés.**

Retirer le panneau frontal sous les portes. Rebrancher l'alimentation électrique en prenant bien soin de ne pas toucher les composants électriques non isolés exposés à la suite du retrait du panneau. Appuyer sur MARCHE / ENTRER [START/ENTER] et vérifier le sens de rotation du moteur comme suit :

Le convoyeur et l'embrayage doivent tourner dans le sens antihoraire pour un lave-vaisselle à sens d'exploitation droite-gauche ou dans le sens horaire pour un sens d'exploitation gauche-droite.

Si le sens de rotation est adéquat, appuyer sur ALIMENTATION [POWER], arrêter l'appareil et replacer le panneau frontal.

Si le sens de rotation du moteur de convoyeur est erroné, couper l'alimentation électrique du lave-vaisselle. Dans le poste de commande sur le dessus de l'appareil, interchanger la position de deux des conducteurs d'alimentation, soit ceux de l'appareil entier ou ceux du moteur et des commandes s'ils sont raccordés séparément des éléments chauffants. Interchanger les fils du convoyeur seulement n'est pas suffisant.

Rebrancher l'alimentation électrique du lave-vaisselle. Revérifier le sens de rotation du convoyeur. Le convoyeur et l'embrayage doivent tourner dans le sens antihoraire pour un lave-vaisselle à sens d'exploitation droite-gauche ou dans le sens horaire pour un sens d'exploitation gauche-droite.

Si le sens de rotation du moteur de convoyeur est adéquat, appuyer sur ALIMENTATION [POWER] pour éteindre l'appareil. Couper l'alimentation électrique et replacer le couvercle du poste de commande et le panneau frontal sous les portes.

## Raccordement électrique de l'équipement offert en option

**▲ AVERTISSEMENT :** **Le raccordement électrique et la mise à la terre doivent être conformes aux normes concernées du code canadien de l'électricité et/ou de tout autre code d'électricité en vigueur.**

**Débrancher l'appareil et suivre les procédures d'étiquetage et de verrouillage. Il pourrait y avoir plusieurs circuits. Veiller à bien débrancher tous les circuits.**

### Distributeur de détergent

L'intensité nominale maximale pour un distributeur de détergent branché aux bornes DPS1 et DPS2 est de 1,5 A à la tension source. Se référer à la page 9 pour l'installation de distributeurs de produits chimiques.

### Distributeur d'agent de rinçage ou de désinfectant chimique

L'intensité nominale maximale pour un distributeur d'agent de rinçage ou un distributeur de désinfectant chimique branché aux bornes RPS1 et RPS2 est de 1,5 A à la tension source. Se référer à la page 9 pour l'installation de distributeurs de produits chimiques.

### Commande de ventilation (non disponible sur les modèles CLeN-VL)

La puissance maximale d'un ventilateur connecté aux VFC1 et VFC2 est de 1 HP à 120 V c.a. 2,5 HP à 240 V c.a.

Le circuit de contrôle du ventilateur d'évacuation mettra en marche et arrêtera le ventilateur d'évacuation du toit avec l'alimentation du lave-vaisselle, éliminant ainsi le besoin d'un interrupteur séparé sur le mur.

Lorsque ce circuit est utilisé, le ventilateur d'extraction sur le toit se met en marche lorsqu'on met en marche le lave-vaisselle CLeN en appuyant sur son bouton marche-arrêt et le ventilateur s'arrête lorsque l'on arrête le lave-vaisselle.

Le lave-vaisselle ne fournit aucune tension à travers ce circuit. Il s'agit d'un circuit de contrôle utilisant un contact sec. Un fil chaud de la commande du ventilateur de toit se connecte à l'une des bornes VFC située sur le bornier de 5 To dans le boîtier de commande CLeN sur le dessus de l'unité et un second fil se connecte à la seconde borne VFC et des fils à la commande du ventilateur de toit complètent le circuit. Le lave-vaisselle ouvrira et fermera ensuite ce circuit au fur et à mesure de sa mise en marche et de son arrêt, ce qui mettra en marche et arrêt le ventilateur d'évacuation du toit avec le lave-vaisselle.

## CONFIGURATION DU SYSTÈME DE RÉCUPÉRATION D'ÉNERGIE CLeN-EGR ET CLeN-ADV

**⚠ AVERTISSEMENT :** Débrancher l'appareil et suivre les procédures d'étiquetage et de verrouillage. Il pourrait y avoir plusieurs circuits. Veiller à bien débrancher tous les circuits.

**REMARQUE :** Effectuer les procédures d'installation après les raccordements de l'eau chaude et de l'eau froide, le remplissage des cuves et le prêt à l'emploi de l'appareil.

1. Débrancher l'alimentation principale de l'appareil au disjoncteur du client.
2. Vérifier que les cuves sont vides. Si elles ne sont pas vides, tirer les leviers de vidange pour permettre le drainage des cuves.
3. Débrancher un fil électrique au niveau de la bobine de l'électrovanne de remplissage à chaud située à l'arrière de l'appareil tout en retirant la protection du fil et en débranchant l'un des fils (Fig. 16 et 17).

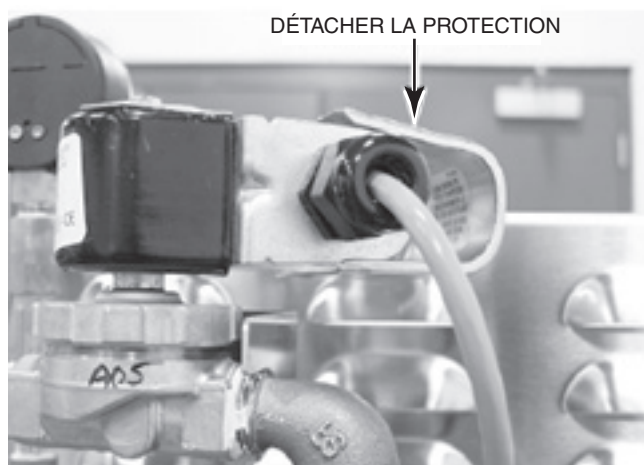


Fig. 16



Fig. 17

4. Brancher l'alimentation principale de l'appareil au disjoncteur du client.
5. Appuyer sur la touche d'alimentation du clavier pour mettre l'appareil en marche.
6. Vérifier que le message «Tank(s) Filling» (Remplissage des cuves) s'affiche et que l'eau s'écoule dans l'appareil à travers les bras de rinçage final.
7. Lorsque l'appareil se remplit aux fins du rinçage final, régler le régulateur de pression d'eau chaude au rinçage final (Fig. 18) jusqu'à ce que la pression du manomètre du rinçage final indique 20 +/- 5 psi.

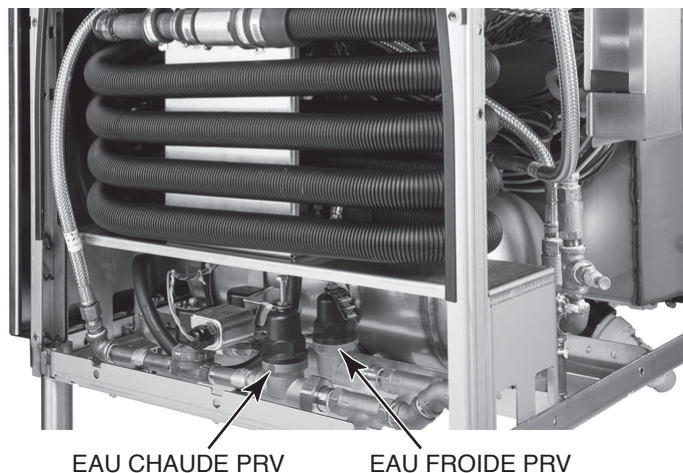


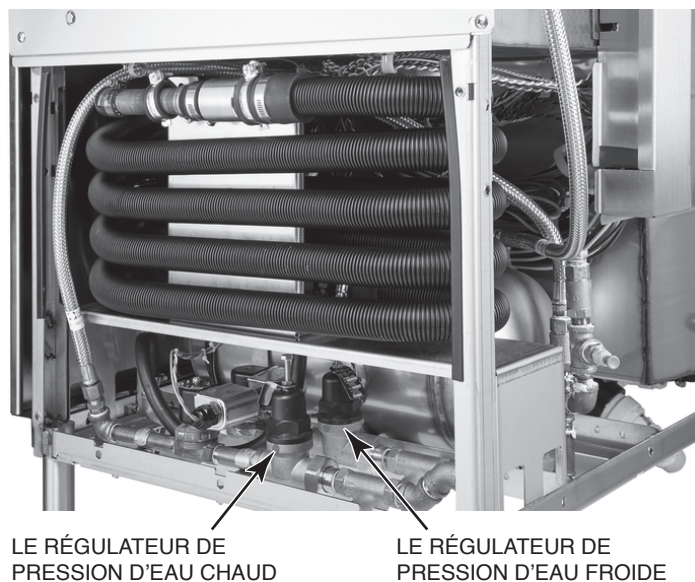
Fig. 18

8. Appuyer sur la touche d'alimentation du clavier pour mettre l'appareil en marche.
9. Débrancher l'alimentation principale de l'appareil au disjoncteur du client.
10. Rebrancher le fil électrique au niveau de la bobine de remplissage à chaud (retirée à l'étape 3) et remettre en place la protection du fil.
11. Brancher l'alimentation principale de l'appareil au disjoncteur du client.
12. Appuyer sur la touche d'alimentation du clavier pour mettre l'appareil en marche.
13. Vérifier que le cycle de remplissage fonctionne correctement et laisser l'appareil remplir entièrement les cuves et entrer en mode d'inactivité. Une fois que l'appareil est entièrement rempli, le message «Tank(s) Filling» (Remplissage des cuves) disparaît. **REMARQUE** : Au cours du processus de remplissage, le manomètre indique environ 5 psi.
14. Ouvrir la porte du lave-vaisselle et placer un panier à l'envers dans la zone du rinçage final pour en activer le débit (Fig. 19).
15. Appuyer sur la touche MARCHE située sur le clavier et vérifier que le rinçage final est activé.



Fig. 19

16. Alors que l'eau du rinçage final s'écoule, régler le régulateur de pression d'eau froide au rinçage final (Fig. 20) jusqu'à ce que la pression du manomètre du rinçage final indique 20 +/- 5 psi.



**Fig. 20**

17. Appuyer sur la touche d'alimentation du clavier pour mettre l'appareil à l'arrêt.
18. Débrancher l'alimentation principale de l'appareil au disjoncteur du client.
19. Ouvrir la porte du lave-vaisselle et retirer le panier de la zone de rinçage final.
20. Rebrancher l'alimentation principale de l'appareil au disjoncteur du client; l'appareil est maintenant prêt à fonctionner normalement.

## **CONFIGURATION AVIS DE DÉTARTRAGE**

Tous les modèles CLeN sont dotés d'un système d'alerte conçu pour aviser l'utilisateur de procéder au détartrage. L'avis s'enclenche en fonction de la dureté du tuyau d'arrivée d'eau qui s'écoule vers l'appareil et en fonction de l'usage de l'eau au rinçage final. Consulter la section « PROGRAMMATION » de ce manuel pour traiter la dureté de l'eau.

# FONCTIONNEMENT

## PRÉPARATION

S'assurer que le lave-vaisselle est propre et que tous les composants sont en place.

### Le lave-vaisselle équipé d'une zone de prélavage (ps ou cs)

Installer le tube de trop-plein dans la cuve de prélavage (Fig. 21). Le tube de trop-plein avec filtre (Fig. 21) s'installe dans la première cuve où entrent les paniers.

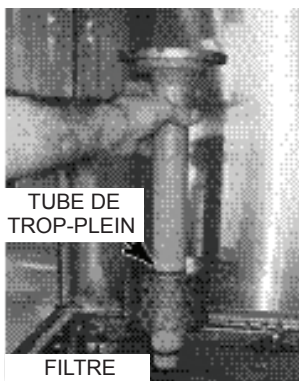


Fig. 21

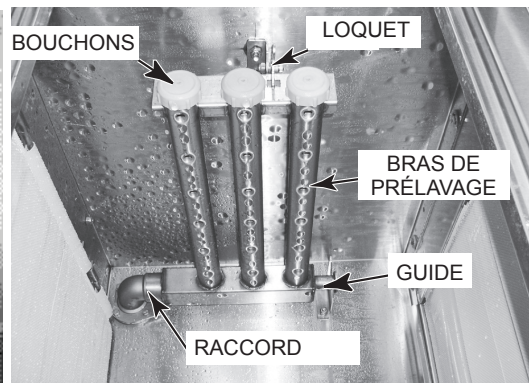


Fig. 22

Installer les filtres plats arrière et latéral puis abaisser le panier-filtre (Fig. 23).

Installer les bras de lavage supérieur (Fig. 22) et inférieur (Fig. 23) munis de leurs bouchons dans la zone de prélavage. Pousser le bras contre le raccord et appuyer l'autre extrémité sur le guide. Soulever ou abaisser ensuite pour mettre en position.

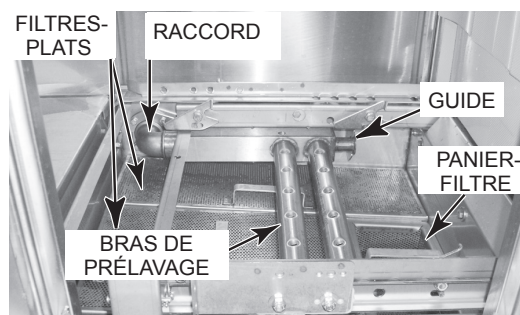


Fig. 23

### Cuves de lavage et de rinçage

Installer le ou les tubes de trop-plein (Fig. 21 et 24). Le tube de trop-plein sans filtre (Fig. 24) est installé dans la deuxième ou la troisième cuve.

Installer les filtres plats et les paniers-filtres (Fig. 26).

Installer les bras de lavage supérieur (Fig. 25) et inférieur (Fig. 26) munis de leurs bouchons dans la zone de prélavage. Pousser le bras contre le raccord et appuyer l'autre extrémité sur le guide (Fig. 25 et 26). Soulever ou abaisser ensuite pour mettre en position.



Fig. 24

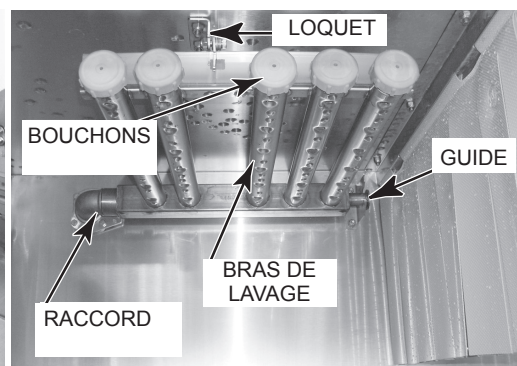


Fig. 25

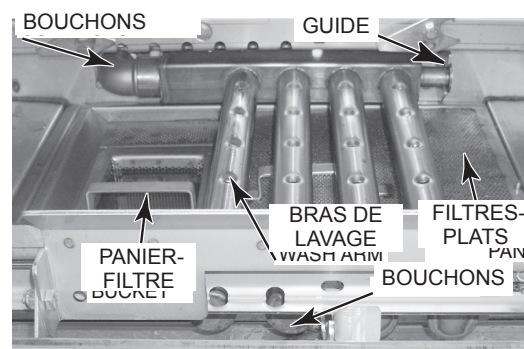


Fig. 26

## Les modèles CLeN-ADV

Installer le panier externe (Fig. 27) lié à l'évacuation automatique des déchets situé à l'intérieur du lave-vaisselle et installer le panier dans le compartiment prévu à cet effet situé du côté chargement de l'appareil.



Fig. 27

Installer le panier ASR interne (Fig 28) dans le premier réservoir où le rack entre dans la machine.

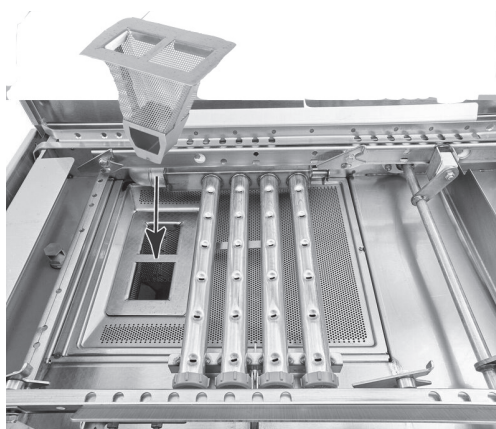


Fig. 28

## Les modèles CLeN-VL

S'assurer que le couvercle du canal d'aération est en place (Fig. 29).



Fig. 29

## Rideaux et portes

Accrocher les rideaux en suivant les schémas des pages 22 – 24. Fermer les portes. Cette action abaisse et assoie le ou les tubes de trop-plein.

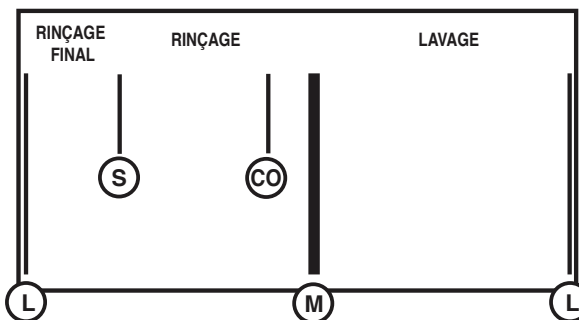
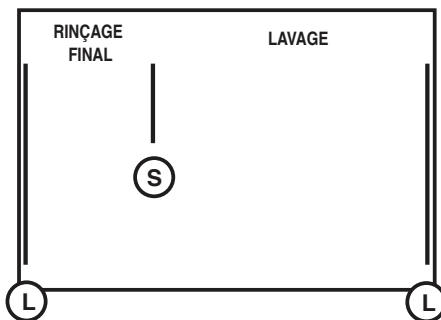
## INSTALLATION DES RIDEAUX


Les rideaux sont codés pour les positionner correctement.

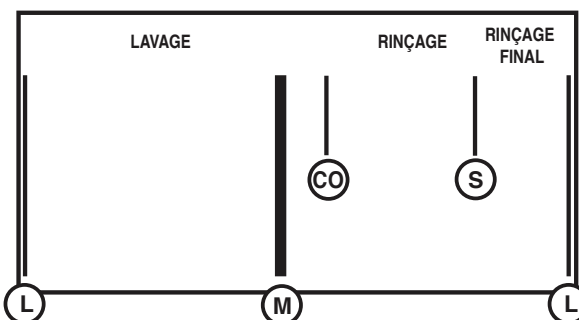
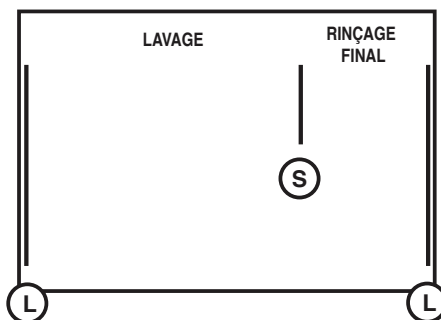
CL44eN-BAS, CL54eN-BAS  
 CL44eN-EGR, CL54eN-EGR  
 CL44eN-ADV, CL54eN-ADV

CL64eN-BAS  
 CL64eN-EGR  
 CL64eN-ADV

DE DROITE À GAUCHE  

DE GAUCHE À DROITE  




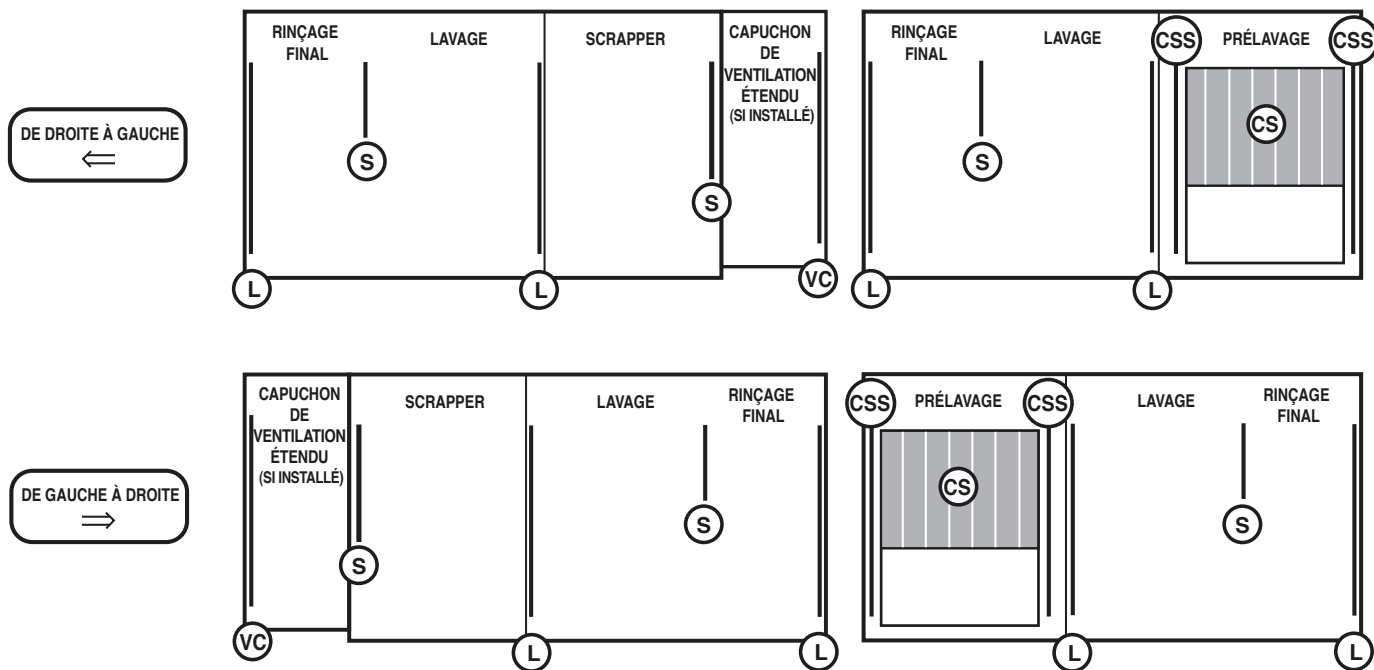
L	919758 Long STD
L	919975 Long ALL.
S	919509 Court
CO	936922 Retenue
M	936428 Milieu STD
M	936429 Milieu HTS
CS	936520 CS
CSS	936931 CS lat.



**Lave-vaisselle comportant une seule cuve et une zone de prélavage sous pression (CLPS) ou zone de prélavage en coin (CLCS)**

**CLPS66eN-BAS, CLPS76eN  
CLPS66eN-EGR, CLPS76eN-EGR  
CLPS66eN-ADV, CLPS76eN-ADV**

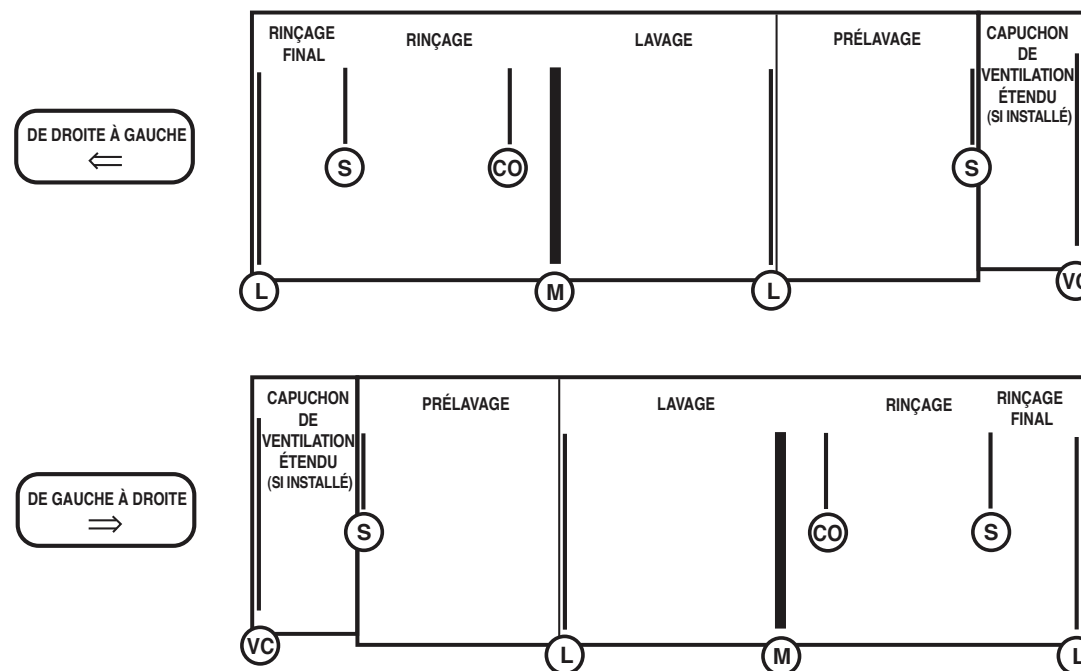
**CLCS66eN-BAS, CLCS76eN-BAS  
CLCS66eN-EGR, CLCS76eN-EGR**



**Lave-vaisselle comportant deux cuves et une zone de prélavage sous pression (CLPS)**

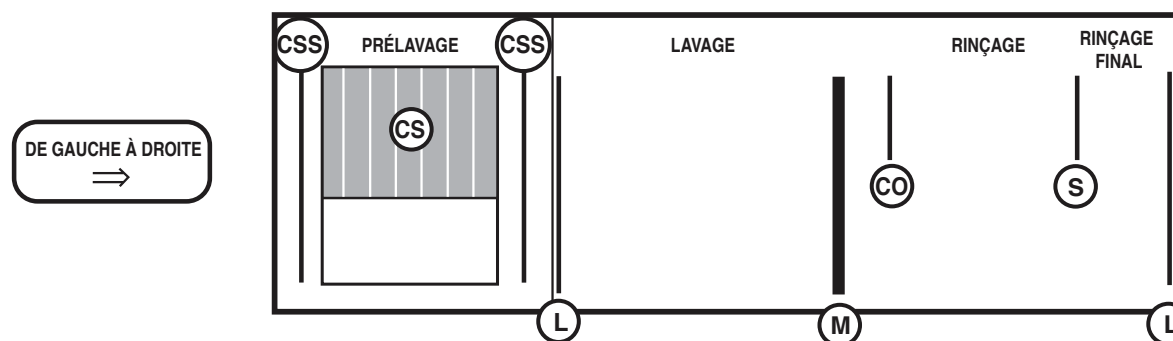
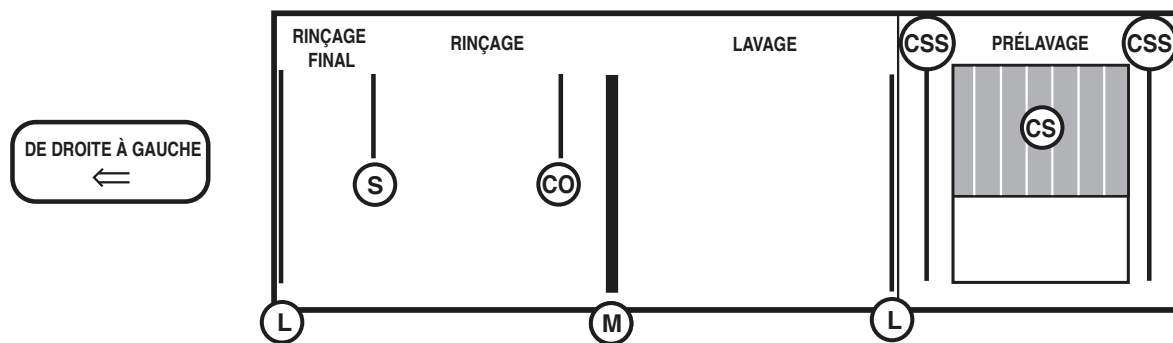
**CLPS86eN-BAS, CLPS86eN-EGR, CLPS86eN-ADV**

L	919758 Long STD
L	919975 Long ALL.
S	919509 Court
CO	936922 Retenue
M	936428 Milieu STD
M	936429 Milieu HTS
CS	936520 CS
CSS	936931 CS lat.
VC	941277 Capuchon standard de ventilation
VC	941278 Capuchon HTS de ventilation



## Lave-vaisselle comportant deux cuves et une zone de prélavage en coin (CLCS)

CLCS86eN-BAS, CLCS86eN-EGR

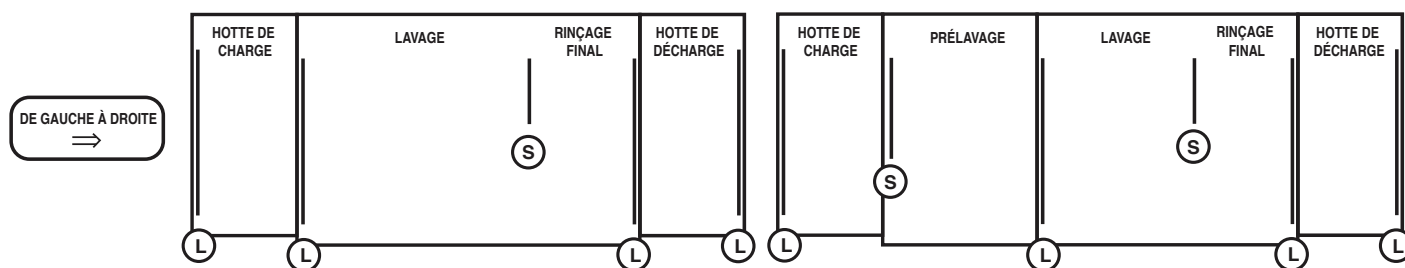
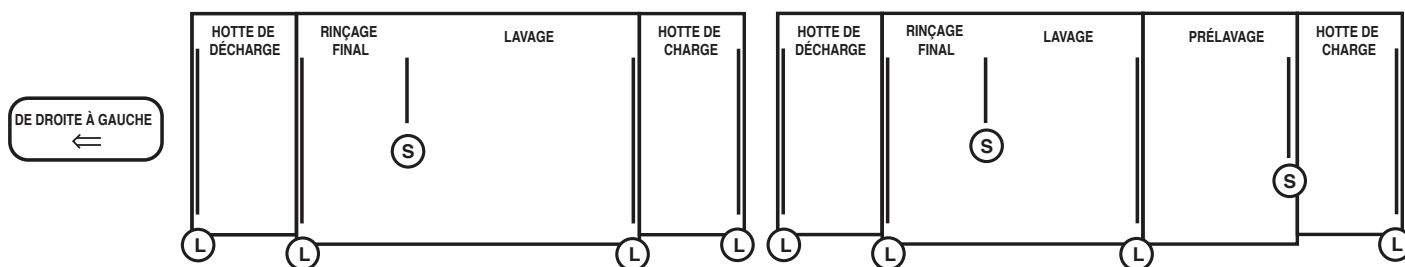


L	919758 Long STD
L	919975 Long ALL.
S	919509 Court
CO	936922 Retenue
M	936428 Milieu STD
M	936429 Milieu HTS
CS	936520 CS
CSS	936931 CS lat.

## Machines à réservoir unique sans conduit d'évacuation

CL44eN-VL

CLPS66eN-VL



## CLAVIER ET AFFICHEUR

Le poste de commande est monté sur le dessus de l'appareil. Le clavier et l'afficheur sont situés à l'avant du poste de commande (Fig. 30).

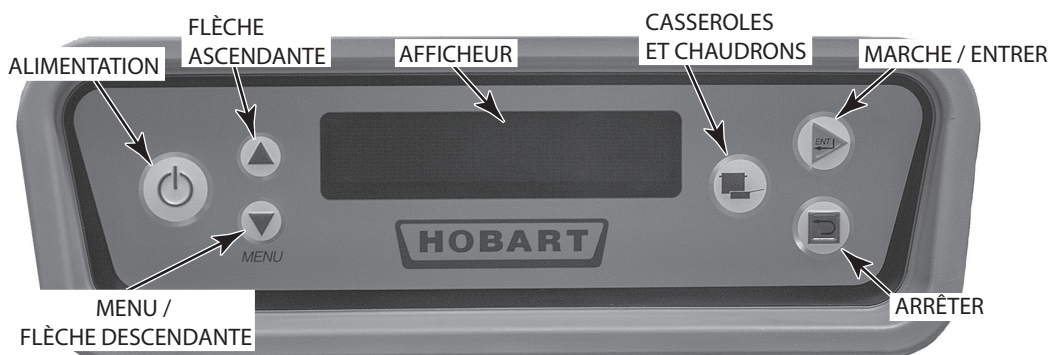


Fig. 30

## REPLISSAGE DU LAVE-VAISSELLE

Tous les robinets d'alimentation en eau doivent être ouverts et le lave-vaisselle sous tension. Bien exécuter les directives de préparation et s'assurer que les rideaux sont bien installés (voir pages 20 – 24).

Fermer toutes les portes. Pour démarrer le remplissage quand l'appareil est prêt, appuyer sur la touche ALIMENTATION [POWER] (Fig. 30).

Si le lave-vaisselle comporte une zone de pré-lavage sous pression ou une zone de pré-lavage en coin, la cuve de pré-lavage se remplit avec le trop-plein de la cuve de lavage.

## DÉMARRAGE DU LAVE-VAISSELLE À CHAUFFAGE AU GAZ (S'IL Y A LIEU)

1. **▲ AVERTISSEMENT :** Lire les directives de sécurité à la page 2 avant de mettre le lave-vaisselle en marche.
2. Ouvrir la conduite principale d'alimentation en gaz.
3. Attendre 5 minutes pour laisser le gaz se dissiper. S'il y a ensuite une odeur de gaz, ARRÊTER! Suivre les Directives de sécurité de la page 2.
4. S'il n'y a pas d'odeur de gaz, ouvrir le robinet manuel du gaz.
5. Appuyer sur la touche ALIMENTATION [POWER] (Fig. 30). Le lave-vaisselle se remplit automatiquement (voir Remplissage du lave-vaisselle ci-haut). Une fois la cuve remplie, le brûleur s'allume si le chauffage est requis. Le système d'allumage prévoit une période de pré-purge de 15 secondes avant d'effectuer l'allumage.
6. Si l'appareil ne fonctionne pas, appuyer sur la touche ALIMENTATION [POWER] (Fig. 30) et fermer le robinet du gaz. Communiquer avec le Service de l'entretien Hobart le plus près ou avec le fournisseur de gaz.

## TEMPÉRATURES MINIMALES

Une commande à microprocesseur régularise la température de l'eau des cuves et des bras de rinçage. Cette commande est pré-réglée en usine et ne requiert aucun ajustement. Si un ajustement s'avère nécessaire ou si le lave-vaisselle doit effectuer la désinfection chimique à l'eau tempérée, communiquer avec le Service de l'entretien Hobart le plus près ou suivre les directives de conversion. L'afficheur numérique vérifie et indique les températures pendant le fonctionnement.

## Températures minimales de l'eau pour la désinfection à l'eau chaude

<b>Modèles à une cuve</b> CL44eN-BAS, CLPS66eN-BAS, CLCS66eN-BAS CL54eN-BAS, CLPS76eN-BAS, CLCS76eN-BAS, CL44eN-EGR, CLPS66eN-EGR, CLCS66eN-EGR CL54eN-EGR, CLPS76eN-EGR, CLCS76eN-EGR CL44eN-ADV, CLPS66eN-ADV, CL54eN-ADV, CLPS76eN-ADV CL44eN-VL, CLPS66eN-VL	<b>Cuve de lavage</b> 71 °C (160 °F)	<b>Cuve de rinçage</b> —	<b>Rinçage final</b> 82 °C (180 °F)
<b>Modèles à deux cuves</b> CL64eN-BAS, CLPS86eN-BAS, CLCS86eN-BAS CL64eN-EGR, CLPS86eN-EGR, CLCS86eN-EGR CL64eN-ADV, CLPS86eN-ADV	66 °C (150 °F)	71 °C (160 °F)	82 °C (180 °F)

## Températures minimales de l'eau pour la désinfection chimique à l'eau tempérée

<b>Modèles à une cuve</b> CL44eN-BAS, CLPS66eN-BAS, CLCS66eN-BAS, CL54eN-BAS, CLPS76eN-BAS, CLCS76eN-BAS	<b>Cuve de lavage</b> 54 °C (130 °F)	<b>Cuve de rinçage</b> —	<b>Rinçage final</b> 49 °C (120 °F)
<b>Modèles à deux cuves</b> CL64eN-BAS, CLPS86eN-BAS, CLCS86eN-BAS	54 °C (130 °F)	54 °C (130 °F)	49 °C (120 °F)

Si la cuve est accidentellement vidangée avant que le lave-vaisselle ne soit éteint, l'interrupteur de protection (à flotteur) contre les bas niveaux d'eau arrête automatiquement le chauffage. Lorsque le niveau d'eau approprié est revenu, le chauffage se remet en marche automatiquement. NE PAS utiliser la protection contre les bas niveaux d'eau comme une commande MARCHE-ARRÊT. Appuyer sur la touche ALIMENTATION [POWER] pour éteindre le lave-vaisselle lorsqu'il n'est pas utilisé.

## Autres températures affichées

Le tableau ci-dessous présente les autres températures pouvant être affichées à l'écran. Chaque nom complet correspond à une abréviation. Les possibilités d'affichage diffèrent d'un modèle à l'autre.

### AUTRES TEMPÉRATURES AFFICHÉES

Température affichée	Nom complet	Abréviation
Cuve de la zone de pré lavage sous pression	Prélavage	PrLav
Cuve de lavage	Lavage	Lav
Cuve de rinçage sous pression	Rinçage	Rinç
Rinçage final	Rinçage final	RF

## Alarme de température de rinçage trop basse (Temp RF bas.)

L'écran affiche un message indiquant que la température de l'eau de rinçage final est descendue sous le minimum requis pendant une courte période Cette fonction peut être activée à l'aide du menu Paramètres (voir la page 36).

## Alarme de température des cuves

L'écran affiche un message indiquant que la température de l'eau dans n'importe quelle cuve est descendue sous le minimum requis pendant une courte période Cette fonction peut être activée à l'aide du menu Paramètres (voir la page 36).

## LAVAGE

Lorsque le lave-vaisselle est rempli, faire démarrer les pompes en appuyant sur la touche MARCHE/SAISIR [START/ENTER] (Fig. 30) ou en insérant un panier dans l'appareil.

Le lave-vaisselle ne se met en marche que si le niveau d'eau est suffisant et que toutes les portes sont fermées. Appuyer sur la touche ARRÊT (STOP) du clavier pour stopper le moteur du convoyeur et les pompes.

Débarrasser la vaisselle de tous les restes d'aliments et de résidus matériels. Ne jamais utiliser de laine d'acier sur les articles devant aller au lave-vaisselle.

Placer la vaisselle dans les paniers sans l'empiler pour que l'eau puisse atteindre toutes les surfaces. Mettre les assiettes et soucoupes debout (Fig. 31). Mettre les tasses, les verres et les bols à l'envers dans des paniers ouverts ou à compartiments (Fig. 31). Les couverts et autres menus articles peuvent être déposés librement dans des paniers ouverts à fonds plats. Pour diminuer les transvasements, poser les plateaux sur les paniers dans le sens du mouvement du convoyeur (Fig. 31).

NE PAS tenter de laver de gros articles (chaudrons, bacs, plateaux, etc.) sans d'abord vérifier s'ils peuvent passer dans l'ouverture de l'appareil. De tels articles ne peuvent être lavés dans ce lave-vaisselle à moins d'y pouvoir circuler aisément.

NE PAS laisser de corps étrangers entrer dans le lave-vaisselle, surtout les débris métalliques.

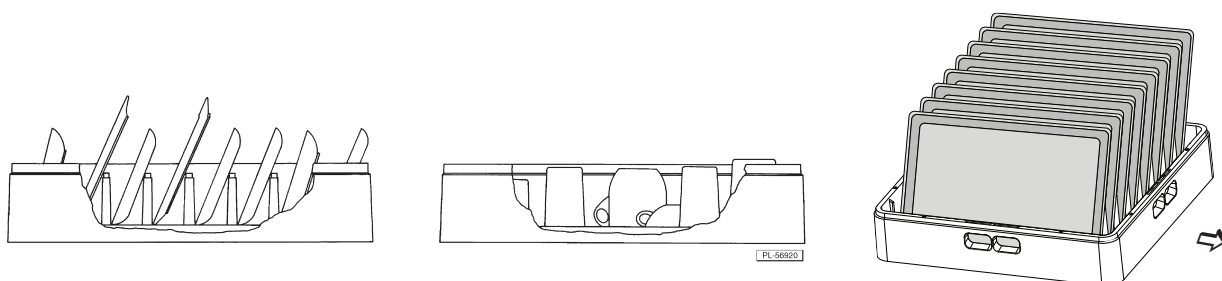


Fig. 31

Lorsqu'un panier est rempli, le pousser dans l'appareil jusqu'à ce le cliquet du convoyeur s'y accroche. Commencer à en charger un autre dès qu'il a franchi le rideau. Le lave-vaisselle (pompes et convoyeur) se met automatiquement en marche à l'entrée d'un panier. Chaque panier se déplace dans les zones de pré-lavage (s'il y a lieu), de lavage et de rinçage pour finalement sortir sur la table à vaisselle propre. Le levier de rinçage est actionné au passage du panier dans la zone de rinçage et le rinçage final s'arrête automatiquement lorsqu'il n'y a plus de panier.

Laisser égoutter et sécher la vaisselle à l'air avant de la retirer du panier.

Le dispositif d'arrêt momentané du convoyeur (standard) permet à l'utilisateur d'immobiliser le convoyeur de manière à laver plus longtemps la vaisselle encrassée. Appuyer sur la FLÈCHE DESCENDANTE située sur le clavier (Fig. 30) jusqu'à ce que le symbole < apparaisse à gauche du dispositif d'arrêt momentané du convoyeur. Lorsque le panier à vaisselle atteint la zone de lavage, appuyer sur la touche MARCHE/ENTRER située sur le clavier (Fig. 30) pour arrêter le convoyeur momentanément. Pour redémarrer le convoyeur, appuyer sur la touche MARCHE/ENTRER située sur le clavier (Fig. 30).

**REMARQUE** : Sur tous les modèles CLeN (sauf les modèles VL), l'appareil continuera à fonctionner en mode inactif jusqu'à ce que la touche ENTER ou STOP soit actionnée. Sur les modèles CLeN-VL, l'appareil s'arrête après 30 minutes d'inactivité.

Un mécanisme contre les surcharges permet l'arrêt du moteur du convoyeur en cas de blocage des paniers ou de charges excessives et l'afficheur indique 'Dégager le convoyeur'. Ouvrir les portes et dégager le blocage puis refermer les portes et appuyer sur la touche MARCHE / SAISIR pour remettre l'appareil en marche (Fig. 30).

Quand le lave-vaisselle fonctionne, toutes les températures apparaissent sur l'afficheur (Fig. 30). L'afficheur indique - - - pour la température de rinçage jusqu'à ce qu'un panier soit dans la zone de rinçage; alors la température de rinçage est affichée. Une fois la vaisselle sortie de la zone de rinçage, l'affichage de la température de rinçage final revient à - - -.

## Mode casseroles et chaudrons

La fonction Mode casseroles et chaudrons, standard sur tous les modèles CLeN, permet à l'utilisateur de laver les casseroles et chaudrons encrassés en indexant les paniers au moyen des deux zones de lavage préréglées à une durée précise. Les temps de lavage peuvent être ajustés dans le menu Paramètres, voir page 36. Appuyer sur la touche CASSEROLES ET CHAUDRONS située sur le clavier (Fig. 30) afin d'activer ce mode. Insérer le panier dans le lave-vaisselle. Chaque casier sera indexé deux fois à travers la zone de lavage en fonction de l'heure prédéfinie. L'appareil reviendra au fonctionnement normal si l'utilisateur appuie sur la touche CASSEROLES ET CHAUDRONS ou sur la touche ARRÊT, ou si le temps du programme automatique est écoulé.

## Interrupteur de fin course offert en option

Quand un panier atteint le bout de la table de déchargement et déclenche l'interrupteur de fin de course, le convoyeur, les pompes et le système de rinçage final s'éteignent. L'afficheur indique alternativement les numéros de cuves et « Décharger panier(s) ». Une fois les paniers enlevés, le fonctionnement normal du lave-vaisselle reprend. **REMARQUE** : Sur les modèles CLeN-VL, si le casier atteint l'extrémité de la table de déchargement et déclenche l'interrupteur de fin de course de la table, la machine s'arrête. La machine ne redémarrera pas automatiquement. Il faut appuyer sur le bouton START pour redémarrer la machine.

## Minuterie automatique

Conçue pour économiser l'électricité, la minuterie entame un compte à rebours si aucun panier n'est introduit dans le lave-vaisselle, qui, une fois terminé, entraîne l'arrêt des moteurs des pompes et du convoyeur. Le chauffage se poursuit dans les cuves et les températures sont affichées à l'écran. Pour reprendre le fonctionnement normal du lave-vaisselle, y insérer un panier ou appuyer sur la touche MARCHE / SAISIR (Fig. 30).

**REMARQUE** : Le compte à rebours en cas d'inactivité est préréglé en usine à 30 secondes. Ce réglage peut s'ajuster entre 30 et 180 secondes (par incrément de 15 secondes) à l'aide du menu Paramètres (voir page 36).

## Mode inactif

Pour les modèles avec ventilation, après 80 minutes d'inactivité, les points de réglage du réservoir à haute température réduisent d'environ 2,2 °C (ce qui représente une baisse de 4 °F). Les points de réglage des réservoirs de désinfection chimique réduisent d'environ 1,11 °C (ce qui représente une baisse de 2 °F). Une fois le cycle de lavage démarré, les points de réglage du réservoir reviennent à la normale.

## Mode Éconergie

À la suite d'une période d'inactivité de l'appareil, les commandes entrent en mode Éconergie (MEE) : Tous les composants du lave-vaisselle s'éteignent et l'afficheur s'assombrit et indique 'Éconergie activée / Appuyer sur ARRÊT pour sortir'. Pour sortir du mode Éconergie, appuyer sur la touche ARRÊT (Fig. 26). Vous pouvez appuyer sur la touche ALIMENTATION pour éteindre complètement l'appareil. La période d'inactivité qui précède le mode Éconergie est préréglée à 2 heures en usine et peut être réglée entre 1 et 6 heures à l'aide du menu Paramètres (voir page 36).

## Mode eau usée

Ce mode propose trois réglages (voir menu Paramètres à la page 36).

Désactivé - Aucun signal affiché. Réglage de l'usine.

**Alarme seulement** : À la suite d'une période d'activité, l'indication 'Changement d'eau nécessaire' s'affiche mais les commandes permettent au lave-vaisselle de poursuivre les opérations en attendant le changement d'eau. Drainer l'eau sous les flotteurs et remplir à nouveau pour éliminer le message.

**Alarme et verrouillage** : À la suite d'une période d'activité, l'indication 'Changer l'eau bientôt' s'affiche pendant 5 minutes, pour prévenir l'utilisateur qu'il doit changer l'eau, puis l'indication 'Changement d'eau nécessaire' apparaît empêchant le lave-vaisselle de poursuivre ses opérations tant que les cuves ne sont pas vidangées et remplies de nouveau.

# NETTOYAGE

Il est recommandé de nettoyer l'appareil à fond à la fin de chaque période de travail ou au moins deux fois par jour. N'utiliser que les produits destinés au nettoyage de l'acier inoxydable. Nettoyer à l'aide d'un chiffon, d'eau et de savon doux.

1. Appuyer sur la touche ALIMENTATION (Fig. 30) pour éteindre le lave-vaisselle.

**▲ AVERTISSEMENT :** Débrancher l'appareil et suivre la procédure d'étiquetage et de verrouillage. Il peut y avoir plusieurs circuits. S'assurer que tous les circuits sont débranchés.

2. Ouvrir les portes. Les interrupteurs de verrouillage des portes empêchent l'appareil de fonctionner lorsque les portes de visite sont ouvertes.
3. S'assurer que les gicleurs des bras de rinçage final inférieurs et supérieurs ne comportent pas de résidus solides
4. Ouvrir la ou les conduites de vidange en tirant le ou les leviers vers le haut (Fig. 32).

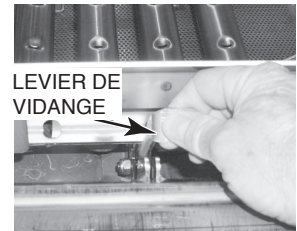


Fig. 32

5. Enlever les bras de lavage et les bouchons à chaque extrémité (Fig. 33) et pousser ce qui obstrue les gicleurs à l'intérieur des bras. Bien rincer les bras de lavage dans un évier et remettre les bouchons en place.
6. Avant de retirer les filtres plats et les paniers-filtres, nettoyer les saletés sur les parois de l'appareil à l'aide d'un tuyau flexible muni d'un arrosoir à gâchette. Diriger tous les débris vers les filtres.
7. Retirer les débris accumulés en arrière et entre les portes et ceux du tunnel, de même qu'entre le joint de porte et du tunnel. Éviter d'arroser directement les commandes sur le dessus de l'appareil.

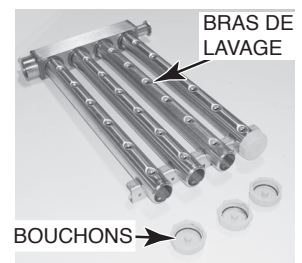


Fig. 33

8. Nettoyer les tables à vaisselle en dirigeant les débris vers les filtres dans le lave-vaisselle.
9. Sortir tous les filtres plats et paniers-filtres. Les vider de leur contenu dans une poubelle ou un broyeur à déchets et les nettoyer à fond dans un évier. NE PAS frapper les filtres plats et paniers-filtres contre des surfaces solides pour en déloger les débris. Voir les figures 23 & 26 à la page 20.
10. Une fois les cuves vidées, retirer les tubes de trop-plein et nettoyer les filtres d'admission des pompes à la base des tubes de trop-plein ou des cuves (Fig. 21 & 34).
11. Enlever les rideaux, les brosser, les rincer à fond et les laisser sécher après chaque jour de travail.
12. Laver à FOND l'intérieur de l'appareil à l'aide d'un tuyau flexible muni d'un arrosoir à gâchette. Enlever les résidus avec un chiffon, une brosse souple et un savon doux Rincer à l'aide de l'arrosoir à gâchette. Ne pas laisser les résidus d'aliments s'accumuler dans le fond et/ou sur les côtés de la cuve. **REMARQUE :** Pour les modèles CLeN-VL uniquement, pulvériser à travers le serpentin à l'intérieur du réservoir pour éliminer tous les débris.

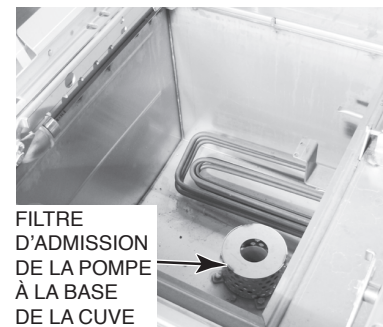


Fig. 34

13. Sur les modèles CLeN-ADV, arroser le récepteur du système d'évacuation automatique des déchets pour éliminer les salissures ou les résidus alimentaires (Fig. 35). Laver entièrement l'intérieur du compartiment du système d'évacuation automatique des déchets situé à l'entrée de l'appareil (Fig. 36) à l'aide d'un tuyau flexible muni d'un arrosoir à gâchette. Enlever les salissures restantes avec un chiffon ou une brosse souple et un nettoyant doux. Rincer de nouveau à l'aide de l'arrosoir à gâchette. Ne pas laisser les résidus alimentaires s'accumuler au fond et/ou sur les côtés du compartiment du système d'évacuation.

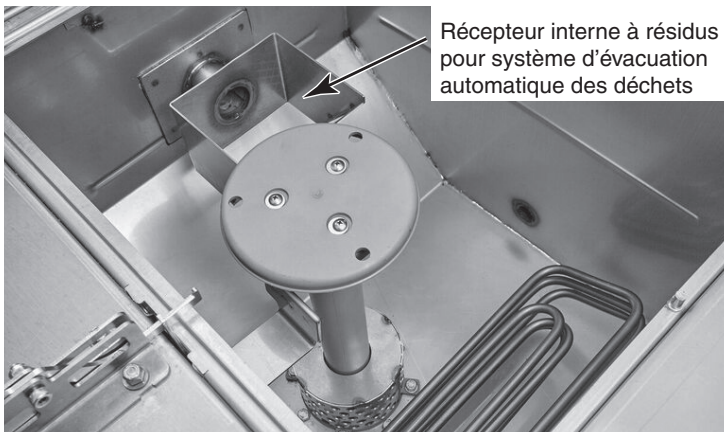


Fig. 35



Fig. 36

14. Pour les modèles CLeN-VL uniquement, retirer le couvercle du canal d'aération en le soulevant sur les poignées (Fig. 37) et nettoyer les débris du canal d'aération à l'aide d'une brosse en nylon à long manche (Fig. 38) et remettre le couvercle en place. **REMARQUE** : Ne pas utiliser de brosse métallique ni de tuyau pour arroser le canal.



Fig. 37

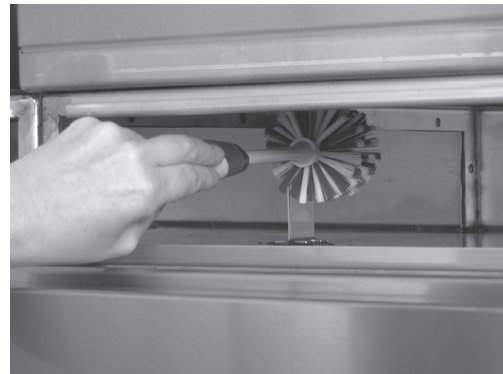


Fig. 38

15. Remettre tous les tubes verticaux, la (les) cuve et le panier emplacements (Fig. 21, 23, 24 & 26) à la page 20.
16. Installer les bras de lavage supérieurs. Pousser le bras contre le raccord et appuyer l'autre extrémité sur le guide. Tourner le bras vers le haut pour le verrouiller en position.
17. Installer les bras de lavage inférieurs. Pousser le bras contre le raccord et appuyer l'autre extrémité sur le guide. Basculer la partie avant du bras vers le bas jusqu'à ce qu'il soit en position.



18. Laisser les portes ouvertes et enlever les rideaux lorsque le lave-vaisselle ne sert pas. Ainsi, l'intérieur peut s'aérer et sécher .
- **REMARQUE :** NE PAS nettoyer les gicleurs de rinçage final Opti-Rinse. Les gicleurs Opti-Rinse doivent être remplacés lorsqu'ils sont obstrués ou que la forme du jet devient inefficace.
  - Ne jamais utiliser de laine d'acier pour nettoyer les surfaces du lave-vaisselle. Utiliser uniquement des produits conçus pour l'acier inoxydable.
  - Réinstaller les tubes de trop-plein, filtres plats et paniers-filtres conformément aux directives de la page 20.
  - Raccrocher les rideaux une fois que l'intérieur est sec. Voir les pages 21 – 24.

## PROCÉDURE DE DÉTARTRAGE

Suivre les étapes suivantes pour détartrer l'appareil.

1. Éteindre la machine (ARRÊT).
2. Vider les cuves et retirer tous les résidus alimentaires en nettoyant les paniers-filtres. Rincer l'intérieur de la machine à l'aide d'un arrosoir à gâchette.
3. Désactiver le système de distribution de détergent chimique selon les recommandations du fabricant de produits chimiques. Cette étape évite l'injection de détergent lors du processus de détartrage.
4. Réinstaller les paniers-filtres, puis fermer tous les drains de la cuve en fermant les portes.
5. Allumer la machine (MARCHE) et permettre le remplissage d'eau fraîche.
6. À la fin du cycle de remplissage, ouvrir les portes et verser la quantité de détartrant requise dans chaque cuve selon les instructions du fabricant de produits chimiques et leurs recommandations relatives à l'équipement de protection individuelle (EPI).
7. Fermer les portes et démarrer la machine.
8. Appuyer sur la FLÈCHE DESCENDANTE située sur le clavier (Fig. 30) jusqu'à l'affichage du symbole '<' à gauche de l'arrêt momentané du convoyeur (CONVEYOR DWELL). Appuyer sur la touche ENTRER située sur le clavier (Fig. 30) pour arrêter le convoyeur et permettre aux pompes de fonctionner pendant 30 minutes.
9. Une fois le délai de 30 minutes écoulé, appuyer sur le bouton ARRÊT situé sur le clavier pour arrêter l'appareil. **REMARQUE :** Les machines sans conduit d'évacuation s'arrêtent automatiquement au bout de 30 minutes et reviennent en mode veille.
10. Ouvrir les portes et inspecter l'intérieur pour vérifier l'absence de dépôts calcaires. S'il reste des dépôts, fermer les portes et faire démarrer la machine pour une période supplémentaire en utilisant la fonction d'arrêt momentané du convoyeur décrite à l'ÉTAPE 8. Selon l'intervalle de temps entre les cycles de détartrage et la dureté de l'eau, la machine devra peut-être fonctionner pendant une période supplémentaire et/ou nécessiter une plus grande quantité de détartrant.
11. Éteindre la machine et vider les cuves.
12. Arroser entièrement l'intérieur de l'appareil pour éliminer toute la solution restante de détartrage vers le drain.
13. Fermer les vidanges des cuves et allumer la machine pour permettre le remplissage d'eau fraîche.
14. À la fin du cycle de remplissage, démarrer la machine et faire fonctionner les pompes pendant quelques minutes afin d'éliminer tout résidu de détartrant du système.
15. Éteindre la machine et drainer toutes les cuves.
16. Suivre les recommandations du fabricant de produits chimiques, puis activer le système de distribution du détergent.
17. L'appareil est maintenant prêt pour le fonctionnement normal.

Certaines zones de la machine, comme le rinçage final, pourraient encore contenir des dépôts calcaires, car ces zones ne sont pas soumises au lavage recirculé contenant la solution de détartrage. Pour ces zones, il faudra peut-être procéder manuellement au nettoyage ou au détartrage comme indiqué ci-dessous. **NE PAS rincer ou frotter la solution de détartrage sur les surfaces extérieures de la machine au risque de provoquer une corrosion. Si la solution de détartrage entre en contact avec l'extérieur de la machine, rincer avec de l'eau, puis essuyer. Toujours porter un équipement de protection individuelle (EPI) lors de l'application du détartrant et suivre les recommandations du fabricant de produits chimiques.**

1. Suivre les instructions du fabricant de produits chimiques, préparer le mélange contenant le détartrant et l'eau, puis verser ou frotter la solution sur les surfaces à nettoyer.
2. Laisser agir pendant 10 minutes. Au besoin, frotter pour déloger les dépôts incrustés.
3. Rincer abondamment avec de l'eau fraîche.

### **Avis Élimination du détartrage recommandée**

Suivre les étapes ci-dessous pour annuler l'avis Détartrage recommandé (Delime Recommended).

1. Activer le mode Programmation Manager. Voir la section PROGRAMMATION de ce manuel pour accéder à la Programmation de gestion. Voir page 33.
2. Dans le menu Programmation Manager, appuyer sur la FLÈCHE DESCENDANTE jusqu'à l'affichage du message «Clear Delime?» (Annuler le détartrage?).
3. Appuyer sur la touche ENTRER pour annuler l'avis de détartrage. L'affichage reviendra à l'écran d'inactivité. La machine est maintenant prête pour son fonctionnement normal.

## **À FAIRE ET À NE PAS FAIRE POUR L'ENTRETIEN D'UN LAVE-VAISSELLE HOBART**

**S'ASSURER** que la dureté de l'eau est adéquate, 51 PPM dans 3,8 L (3 grains au gallon).

**RINCER À FOND** la vaisselle avant le lavage.

**UTILISER** uniquement les détergents recommandés par le spécialiste en produits chimiques.

**NETTOYER et RINCER À FOND** l'appareil à la fin de chaque journée et bien sécher (en laissant les portes ouvertes).

**SUIVRE** attentivement l'horaire de détartrage prescrit par le spécialiste en produits chimiques.

**UTILISER** uniquement des produits conçus pour l'acier inoxydable.

**NE PAS** utiliser de détergent pour lave-vaisselle domestiques.

**NE PAS** laisser de résidus d'aliments s'accumuler au fond du bac.

**NE PAS** excéder les concentrations de détergent, désinfectant ou produit de détartrage recommandées par le fabricant.

**NE PAS** nettoyer la vaisselle ou le lave-vaisselle avec une laine d'acier.

**NE PAS** laisser entrer de corps étrangers dans le lave-vaisselle, tout particulièrement les débris métalliques.

**REMARQUE** : Ne pas se conformer aux directives de fonctionnement, d'entretien et de nettoyage peut entraîner l'annulation de la garantie du lave-vaisselle Hobart.

# PROGRAMMATION

## PROGRAMMATION DES NIVEAUX DE SÉCURITÉ

Le microprocesseur du lave-vaisselle permet la personnalisation des fonctions de lavage de la vaisselle, de maintien des températures adéquates et d'autres fonctions utiles à l'exploitation de cuisines commerciales. Pour activer ou modifier ces fonctions, entrer en mode Édition de la programmation au niveau adéquat.

Il est recommandé de garder le lave-vaisselle au plus bas niveau de sécurité afin de prévenir la modification des fonctions. Le niveau de sécurité revient automatiquement au niveau Opérateur dès que l'une des actions suivantes se produit :

1. Aucune touche n'a été utilisée au cours des 10 dernières minutes.
2. Le lave-vaisselle est mis en veille à l'aide de la touche ALIMENTATION.
3. Un code de sécurité invalide est entré à l'écran « Entrer code sécurité ? ».

Les noms et descriptions des niveaux de sécurité sont présentés du niveau le plus bas au plus élevé.

**REMARQUE :** La lettre apparaissant à droite du numéro est la même que celle affichée en bas à gauche de l'écran « Entrer code sécurité ? », soit O ou M. Voir la section Entrer dans le menu Paramètres à la page 35 pour davantage de détails.

**REMARQUE :** Le niveau de sécurité n'affecte pas le fonctionnement de l'appareil et n'empêche pas l'utilisation des touches MARCHE, ARRÊT ou ALIMENTATION. Toutes les fonctions de base sont actives à tous les niveaux de sécurité.

### Opérateur – O

Le niveau Opérateur est le niveau de sécurité le plus bas. Il s'agit du niveau activé par défaut à la mise sous tension du lave-vaisselle. Aucun code de sécurité n'est requis pour passer au niveau de sécurité Opérateur. Ce niveau permet d'entrer un code de sécurité pour accéder à un niveau de sécurité supérieur.

### Manager - M

Le niveau Manager est le niveau de sécurité le plus élevé. Pour y accéder, l'entrée du code est requise.

Ce niveau permet l'accès à toutes les options du menu Paramètres (Tableau 1) et du menu Configuration de la transmission (Tableau 2). Il est recommandé d'éteindre puis de rallumer le lave-vaisselle après la modification et la sauvegarde d'options du niveau Manager.

Le code de sécurité du niveau Manager peut être modifié par le directeur de la cuisine ou toute personne autorisée à utiliser le code Manager. Le code par défaut est « 1001 ». Il est recommandé de le modifier et de le noter dans un endroit sécuritaire. En cas de perte ou d'oubli, il peut être reprogrammé par le Service de l'entretien Hobart.

**REMARQUE :** Les frais de reprogrammation du code Manager par le Service de l'entretien Hobart ne sont pas couverts par la garantie de base ni par la garantie prolongée.

## DIRECTIVES DE PROGRAMMATION

La programmation s'effectue à l'aide de menus apparaissant à l'écran et des touches Flèche ascendante, MENU / Flèche descendante et MARCHE du clavier du poste de commande monté sur le dessus du lave-vaisselle (Fig. 39).

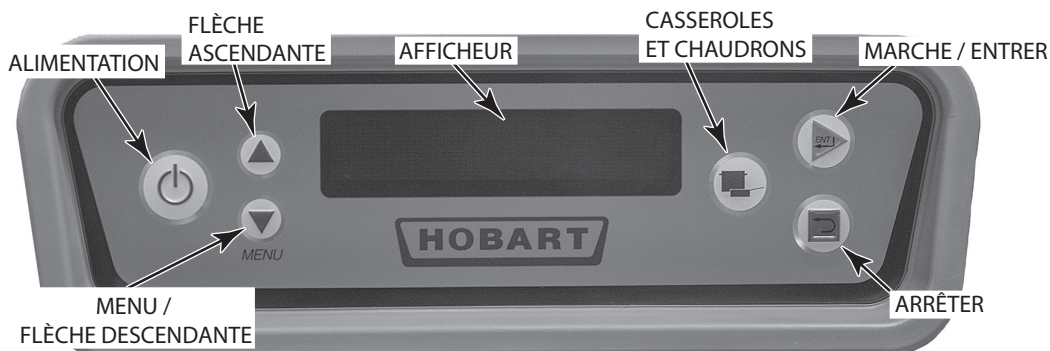


Fig. 39

### Touches et messages-guides affichés

Les messages-guides suivant apparaissent dans les menus :

- Les touches Flèches ascendante et MENU / Flèche descendante servent à modifier les valeurs des paramètres et à naviguer dans le menu.
- La touche MARCHE / ENTRER permet d'accepter une valeur, d'effectuer une action particulière ou d'aller au sous-menu. L'utilisation de cette touche pendant la consultation d'un menu NE PERMET PAS de mettre le convoyeur et les pompes en marche (s'ils ne fonctionnent déjà). Pour faire démarrer l'appareil pendant l'édition d'un menu, insérer un panier à l'intérieur du lave-vaisselle ou sortir du menu avant d'appuyer sur la touche MARCHE / ENTRER.
- La touche ARRÊT permet d'arrêter l'appareil, d'annuler l'activité en cours en tout temps, de supprimer les changements effectués depuis la dernière sauvegarde et de revenir à l'écran principal.
- Le texte immédiatement à gauche ou à droite du symbole (●) sur l'afficheur indique quelle action ou commande sera activée par l'utilisation de la touche MARCHE / ENTRER.
- Les flèches (ascendante et descendante) apparaissant sur l'afficheur indiquent quelle ligne ou valeur changera avec l'utilisation des touches Flèche ascendante et Flèche descendante.
  - o Les flèches noires (◆) sur la deuxième ligne signifient que la valeur affichée est celle gardée dans la mémoire des commandes.
  - o Les flèches vides (◇) sur la deuxième ligne signifient que la valeur a été modifiée mais pas encore sauvegardée.

## Entrée dans le menu Paramètres

Il est possible d'entrer dans le menu Paramètres et de modifier chaque option en tout temps quand l'appareil fonctionne ou est en veille.

Pour entrer dans le menu Paramètres, entrer le code de sécurité :

ÉTAPE 1 : À l'écran principal, appuyer sur la touche MENU / Flèche descendante.

ÉTAPE 2 : Un message demandant à l'utilisateur s'il désire quitter le menu apparaît. Ne pas appuyer sur la touche MARCHE / ENTRER sinon l'afficheur revient à l'écran présentant les numéros de cuves et les températures. Appuyer plutôt sur la touche MENU / Flèche descendante pour continuer.

	Message affiché	Touche à utiliser	Fonction
1.	[N° cuve] [Température de la cuve]	MENU / Flèche descendante ↓	
2.	Retour menu principal? Oui	MENU / Flèche descendante ↓	
3.	Entrer code de sécurité? O Oui	MARCHE / ENTRER	Réponde oui
4.	Code de sécurité : 0***	Flèche ascendante	Changer 0 par 1
5.	Code de sécurité : 1***	MARCHE / ENTRER	Aller au chiffre suivant
6.	Code de sécurité : *0**	MARCHE / ENTRER	Aller au chiffre suivant
7.	Code de sécurité : **0*	MARCHE / ENTRER	Aller au chiffre suivant
8.	Code de sécurité : ***0	Flèche ascendante	Changer 0 par 1
9.	Code de sécurité : ***1	MARCHE / ENTRER	Accepter 1001
10.	Entrer code de sécurité? M Oui	MENU / Flèche descendante	La lettre « M » apparaît en bas à gauche
11.	Éditer les paramètres? Oui	MARCHE / ENTRER	
12.	Mode désinfection à l'eau chaude		Premier paramètre

ÉTAPE 3 : L'écran « Entrer code sécurité ? » apparaît. Appuyer sur MARCHE / ENTRER pour entrer un code de sécurité.

ÉTAPES 4-10 : Le message « Code de sécurité » apparaît à la première ligne tandis que le code d'un seul chiffre et trois astérisques [0\*\*\*] apparaît à la dernière ligne. Utiliser les touches Flèche ascendante et MENU / flèche descendante pour modifier le code de sécurité. Le code de sécurité par défaut pour passer au niveau Manager est « 1001 ».

Le code de sécurité par défaut doit être modifié par un utilisateur ayant accès au menu. En cas de perte ou d'oubli, il peut être reprogrammé par le Service de l'entretien Hobart. Noter que les frais de reprogrammation ne sont pas couverts par la garantie de base ni par la garantie prolongée.

Après avoir appuyé sur MARCHE / ENTRER pour confirmer le quatrième chiffre du code (ÉTAPE 9), le message « Entrer code sécurité ? » réapparaît à la première ligne de l'afficheur (ÉTAPE 10). La lettre « M » dans le coin inférieur gauche indique le niveau de sécurité Manager. Répéter les étapes 3 à 10 si le « M » n'apparaît pas.

ÉTAPE 11 : Appuyer sur la touche MARCHE / ENTRER pour revenir au menu Paramètres.

## Navigation dans le menu Paramètres

Quand le mode Désinfection est affiché (ÉTAPE 12), l'afficheur indique les premiers paramètres pouvant être édités. Utiliser les touches MENU / Flèche descendante pour naviguer dans le menu.

Appuyer sur la touche MARCHE / ENTRER permet de sélectionner un paramètre et d'en modifier les réglages.

Consulter la liste complète des paramètres (Tableau 1) à la page 36.

### MENU PARAMÈTRES – TABLEAU 1

Paramètre	Description	Valeurs possible	Valeur par défaut
Cycle Casseroles et chaudrons	Réglage de la durée, en secondes, du cycle de lavage pour assurer un nettoyage supplémentaire. Le cycle reste actif jusqu'à sa désactivation ou jusqu'à l'arrêt de la minuterie automatique de l'appareil.	30 à 90 secondes (tranche de 5 secondes)	30 secondes
Mode Désinfection	Réglage des températures de fonctionnement qui commandent les éléments chauffants des cuves et du surchauffeur intégré (s'il y a lieu) : mode désinfection à l'eau chaude ou chimique (eau tiède)	Eau chaude ou chimique	Eau chaude
Minuterie automatique	Les pompes et le convoyeur s'arrêtent après la période d'inactivité programmée pour l'économie d'énergie. Voir la page 28.	30 à 180 (incréments de 15 secondes)	30 secondes
Alarme tmp RF bas	Activation ou désactivation de l'alarme visuelle apparaissant à l'écran pour indiquer que la température de rinçage final est inférieure au minimum requis de 82 °C (180 °F). Lorsqu'activée, un message apparaît. Le fonctionnement se poursuit et l'eau continue de circuler dans l'appareil. Le message disparaît dès que la température dépasse le réglage minimal. Lorsque désactivée, la température de l'eau de rinçage final réelle demeure affichée mais aucun message n'apparaît si elle est trop basse. Voir la page 26.	Activée ou désactivée	Désactivée
Alarme tmp cuve	Message indiquant que la température de l'eau d'une des cuves est inférieure au minimum requis. Le message disparaît dès que la température dépasse le réglage minimal. Voir la page 26.	Activée ou désactivée	Désactivée
Dureté de l'eau	Réglage de la dureté de l'eau, en grains par gallon, de l'eau d'arrivée pour déterminer le moment où la machine devra être détartrée.	0 à 1000 grains (tranche de 1 grain)	0 grain
Mode Eau usée	Désactivé : Ignore l'eau usée. Alarme seulement : Affiche « Changer l'eau » après une période de fonctionnement mais ne nécessite pas de nouveau remplissage. Alarme et verrou : Affiche « Changer l'eau bientôt » pendant 5 minutes après une période de fonctionnement, puis le message « Changer l'eau » apparaît et l'appareil ne peut fonctionner tant qu'il n'est pas vidangé puis rempli de nouveau. Voir la page 28.	Désactivée, alarme seulement ou Alarme et verrou	Désactivée
Durée eaux usées	Réglage de la durée (en heures) de rinçage au terme de laquelle l'alarme apparaît. Cette option est possible seulement si le mode Eau usée est réglé à « Alarme seulement » ou « Alarme et verrou ».	1 – 6	4
Durée économie d'énergie	Le mode Éconergie s'active après une période d'inactivité. Augmenter ou diminuer la durée par incréments d'une heure à l'aide des flèches. Voir la page 28.	1, 2, 3, 4, 5, 6	2
Modifier code Mgr	Réglage d'un nouveau code de sécurité pour l'accès aux paramètres du niveau Manager. Il est recommandé de modifier le code par défaut et le noter dans un endroit accessible à tous les gestionnaires de la cuisine, mais pas aux opérateurs.	0000 à 8888	1001
Sauvegarder les réglages et sortir?	La touche MARCHE / ENTRER permet de sauvegarder les nouveaux réglages, sortir du menu Paramètres et revenir à l'écran principal. Tous les réglages modifiés sont sauvegardés et la plupart sont immédiatement activés. Si un ou plusieurs ne sont pas immédiatement activés, un message apparaît commandant de redémarrer le lave-vaisselle pour les activer.		
Annuler les réglages et sortir?	La touche MARCHE / ENTRER permet de sortir du menu Paramètres et revenir à l'écran principal. Toutes les modifications aux réglages sont annulées pour reprendre leur valeur antérieure.		

# ENTRETIEN

**⚠ AVERTISSEMENT :** Débrancher l'appareil et suivre la procédure d'étiquetage et de verrouillage. Il peut y avoir plusieurs circuits. S'assurer que tous les circuits sont débranchés.

## CONDUIT D'ÉVACUATION

Tous les six mois, vérifier que le conduit d'évacuation n'est pas obstrué. Laisser refroidir l'appareil avant de procéder à cette vérification.

## LUBRIFICATION

Aucune lubrification requise.

## SERVICE DE L'ENTRETIEN

Communiquer avec le Service de l'entretien Hobart le plus près si l'appareil doit être réparé ou réglé. Si les raccords du gaz doivent être réglés ou remplacés, demander un technicien Hobart qualifié. Des contrats d'entretien de longue durée sont offerts pour ces appareils et pour de nombreux autres appareils Hobart.

# DÉPANNAGE

SYMPTÔME	CAUSES POSSIBLES
L'appareil ne fonctionne pas	<ol style="list-style-type: none"> <li>1. Fusible grillé ou disjoncteur déclenché à la source d'alimentation.</li> <li>2. Porte(s) de visite ouverte(s).</li> <li>3. Convoyeur bloqué.</li> <li>4. Compte à rebours de la minuterie terminé. Appuyer sur MARCHE ou insérer un panier.</li> <li>5. Interrupteur de fin de course déclenché.</li> <li>6. Mode Éconergie activé. Appuyer sur ARRÊT pour reprendre les opérations.</li> </ol>
Vaisselle mal lavée	<ol style="list-style-type: none"> <li>1. Quantité d'eau de lavage insuffisante parce que le tuyau de vidange est obstrué, ce qui l'empêche de bien fermer ou joint torique usé ou tordu occasionnant la vidange de l'eau de lavage.</li> <li>2. Bouchon d'un bras de lavage manquant.</li> <li>3. Gicleurs des bras de lavage obstrués.</li> <li>4. Joint torique tordu ou usé du système d'alimentation en eau occasionnant la vidange de l'eau de lavage.</li> <li>5. Perte de pression d'eau en raison de pompes obstruées.</li> <li>6. <b>▲ AVERTISSEMENT :</b> Débrancher l'appareil et suivre la procédure d'étiquetage et de verrouillage. Il peut y avoir plusieurs circuits. S'assurer que tous les circuits sont débranchés. Vidanger les cuves et vérifier que l'admission des pompes n'est pas bloquée.</li> <li>7. Mauvaise température de l'eau. Vérifier le disjoncteur de la source d'alimentation du chauffage électrique, le robinet de vapeur principal ou le robinet de gaz. S'assurer que le robinet est complètement ouvert.</li> <li>8. Dosage de détergent erroné. Communiquer avec le représentant du fournisseur de détergent.</li> <li>9. Panier-filtre et filtres plats ayant besoin d'être vidés ou nettoyés.</li> <li>10. Cuves ayant besoin d'être vidées et remplies d'eau propre.</li> </ol>
Fuites des appareils de robinetterie	<ol style="list-style-type: none"> <li>1. Corps étrangers entravant le fonctionnement des appareils de robinetterie. La période suivant immédiatement l'installation constitue un moment critique puisque du mastic ou des bavures de métal peuvent se loger dans le siège d'un appareil de robinetterie. Dans le cas d'une vanne électromagnétique qui ne fonctionne pas bien, il est recommandé de communiquer avec le Service de l'entretien Hobart le plus près.</li> </ol>
Taches sur les couverts, les verres et les plats	<ol style="list-style-type: none"> <li>1. Paniers mal chargés.</li> <li>2. Température de l'eau de rinçage final incorrecte (min. 82 ou 49 °C [180 ou 120 °F pages 25 – 26]).</li> <li>3. Perte de pression d'eau à cause de pompes obstruées. <b>▲ AVERTISSEMENT :</b> Débrancher l'appareil et suivre la procédure d'étiquetage et de verrouillage. Il peut y avoir plusieurs circuits. S'assurer que tous les circuits sont débranchés. Vidanger les cuves et vérifier que l'admission des pompes n'est pas bloquée.</li> <li>4. Gicleurs des bras de lavage obstrués.</li> <li>5. Dureté de l'eau excessive (dureté recommandée 51 PPM dans 3,8 L [3 grains au gallon]).</li> <li>6. Détergent incompatible avec le type d'eau utilisé. Communiquer avec le fournisseur de détergent.</li> <li>7. Gicleurs des bras de rinçage obstrués.</li> <li>8. Dosage d'agent de rinçage erroné. Communiquer avec le fournisseur d'agent de rinçage.</li> </ol>
Température de rinçage final trop basse malgré le surchauffeur intégré	<ol style="list-style-type: none"> <li>1. Flotteur de cuve défectueux ou abaissé et empêchant le chauffage.</li> <li>2. Protection contre la surchauffe déclenchée. Communiquer avec le Service de l'entretien Hobart.</li> <li>3. Disjoncteur du système de chauffage déclenché.</li> <li>4. Température de l'eau d'arrivée inférieure au réglage minimal.</li> <li>5. Si les commandes de température doivent être ajustées ou si le surchauffeur est défectueux, communiquer avec le Service de l'entretien Hobart.</li> </ol>

**REMARQUE :** Si les symptômes persistent après les vérifications prescrites, communiquer avec les Service de l'entretien Hobart le plus près.



SYMPTÔME	CAUSES POSSIBLES
Vaisselle mal rincée	<ol style="list-style-type: none"> <li>1. Filtre en «Y» (Fig. 40) obstrué réduisant le débit d'eau. Couper l'alimentation d'eau, retirer le chapeau du filtre, enlever et nettoyer le tamis. Réassembler le tout.</li> <li>2. Pression de la conduite d'eau trop faible.</li> <li>3. Gicleurs des bras de rinçage obstrués.</li> </ol> <p><b>REMARQUE :</b> CLeN-EGR et CLeN-ADV modèles ont deux lignes d'alimentation finales de rinçage.</p>
Rinçage continu	<ol style="list-style-type: none"> <li>1. Le levier de rinçage (Fig. 41) ne bouge pas librement.</li> </ol> <p><b>▲ AVERTISSEMENT :</b> Débrancher l'appareil et suivre la procédure d'étiquetage et de verrouillage. Il peut y avoir plusieurs circuits. S'assurer que tous les circuits sont débranchés. Vérifier le mouvement de l'actionneur.</p> <ol style="list-style-type: none"> <li>2. Vérifier la présence de corps étrangers dans le mécanisme, par exemple des couverts.</li> <li>3. Le robinet de rinçage ne fonctionne pas ou reste ouvert.</li> <li>4. Communiquer avec le Service de l'entretien Hobart le plus près.</li> </ol>
Le chauffage de la cuve de lavage ne fonctionne pas	<ol style="list-style-type: none"> <li>1. L'appareil est muni d'une protection contre les bas niveaux d'eau qui interrompt le chauffage lorsqu'il n'y a pas suffisamment d'eau. Vérifier le niveau d'eau.</li> <li>2. Disjoncteur du système de chauffage déclenché.</li> <li>3. Vérifier la présence de débris sur le flotteur et s'assurer qu'il bouge librement.</li> <li>4. Robinet de vapeur mal ouvert.</li> <li>5. Protection contre la surchauffe déclenchée.</li> <li>6. Communiquer avec le Service de l'entretien Hobart le plus près.</li> <li>7. Les vannes d'alimentation en vapeur ne sont pas ouvertes complètement ou la pression est trop faible (chauffage à la vapeur).</li> <li>8. Le purgeur à flotteur ouvert ne fonctionne pas correctement (chauffage à la vapeur).</li> <li>9. Électrovanne(s) de vapeur défectueuse(s) (chauffage à la vapeur).</li> </ol>
Remplissage lent ou aucun remplissage	<ol style="list-style-type: none"> <li>1. Porte(s) ouverte(s).</li> <li>2. Conduite d'alimentation en eau principale peut-être fermée.</li> <li>3. Vérifier la présence de débris sur les flotteurs de remplissage inférieur et supérieur et s'assurer qu'ils bougent librement.</li> <li>4. Filtre en «Y» (Fig. 40) obstrué, réduisant ainsi le débit d'eau. Couper l'alimentation d'eau, retirer le chapeau du filtre, enlever et nettoyer le tamis. Réassembler le tout.</li> <li>5. Vanne électromagnétique défectueuse.</li> <li>6. Pression de l'eau d'arrivée trop basse.</li> <li>7. Conduite(s) de vidange ouverte(s).</li> <li>8. Tube(s) de trop plein mal assis ou installé(s) dans la mauvaise cuve.</li> </ol>
Fuite du reniflard	<ol style="list-style-type: none"> <li>1. Corps étrangers ou corrosion entravant le fonctionnement des appareils de robinetterie. Couper l'alimentation en eau. Dévisser et retirer le chapeau du robinet. Nettoyer le robinet et réassembler.</li> </ol>
Trop de vapeur	<ol style="list-style-type: none"> <li>1. Le registre de la colonne d'évent doit être réglé correctement.</li> </ol>

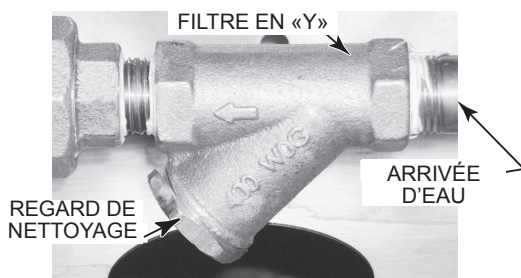


Fig. 40

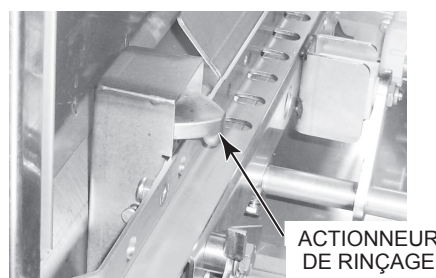


Fig. 41

**REMARQUE :** Si le problème persiste après les vérifications prescrites, communiquer avec le Service de l'entretien Hobart le plus près.

INDICATION AFFICHÉE EN FRANÇAIS	SOLUTION POSSIBLE
Porte(s) ouverte(s)	Fermer toutes les portes.
Décharger panier(s)	Retirer le panier ayant déclenché l'interrupteur de fin de course de la table à vaisselle propre (zone de déchargement).
Dégager le convoyeur	Dégager le blocage. Retirer le panier de l'appareil. Appuyer sur la touche MARCHE et réinsérer le panier.
Erreur Sonde (no de cuve)	Vérifier si le flotteur de la cuve indiquée est endommagé et s'il y a suffisamment d'eau dans la cuve pour couvrir le flotteur.
Température RF basse	<ol style="list-style-type: none"> <li>1. Vérifier si le disjoncteur du surchauffeur (s'il y a lieu) de la cuve de rinçage final est déclenché.</li> <li>2. Vérifier si la protection contre la surchauffe du surchauffeur (s'il y a lieu) de la cuve de rinçage final est déclenchée.</li> <li>3. S'assurer que l'eau d'arrivée du lave-vaisselle et du surchauffeur de rinçage final est à la température requise.</li> </ol>
Erreur Sonde - RF	S'assurer que le robinet d'alimentation en eau du surchauffeur de rinçage final est ouvert.
Vérifier niveau d'eau	<ol style="list-style-type: none"> <li>1. S'assurer que tous les orifices de vidange ne sont pas obstrués.</li> <li>2. Vérifier si le robinet d'alimentation en eau est ouvert.</li> <li>3. Ouvrir les portes et vérifier le niveau de l'eau dans les cuves, à environ 25 mm (1 po) sous le filtre plat ou plus haut.</li> <li>4. Si la cuve ne se remplit pas après 20 minutes, communiquer avec le Service de l'entretien Hobart.</li> </ol>
Redémarrer	Mettre l'appareil en veille en appuyant sur la touche ALIMENTATION. Attendre au moins 60 sec avant de remettre l'appareil sous tension.
Détartrage recommandé	Inspecter l'intérieur du lave-vaisselle à la recherche de dépôts calcaire et de tartre. Voir les directives de détartrage à la page 31.
Changer l'eau bientôt	Changer l'eau dès que possible.
Changer l'eau	Vidanger toutes les cuves et les remplir de nouveau.
Éconergie activé ARRÊT pour sortir	En raison d'une période d'inactivité, l'appareil est en veille. Le chauffage s'est éteint. Appuyer sur ARRÊT pour reprendre le fonctionnement normal. Surveiller les températures à mesure que les activités reprennent.
Arrêt sans conduit d'évacuation (modèles CLeN-VL uniquement)	<ol style="list-style-type: none"> <li>1. S'assurer que tous les rideaux sont en place.</li> <li>2. S'assurer que le canal d'aération est exempt de débris.</li> <li>3. S'assurer que le serpentin de la cuve de lavage est exempt de calcaire et de débris.</li> <li>4. Éteindre la machine. Attendre une minute. Allumer la machine.</li> </ol>
Réfrigérant faible sans conduit d'évacuation (modèles CLeN-VL uniquement)	Contactez le Service de l'entretien de Hobart.

**REMARQUE :** Si les symptômes persistent après les vérifications prescrites, communiquer avec le Service de l'entretien Hobart le plus près.

**DATE**

JOUR/QUART DE TRAVAIL	HEURE	TEMPÉRATURE DE L'EAU DE LA CUVE DE PRÉLAVAGE	TEMPÉRATURE DE L'EAU DE LA CUVE DE LAVAGE	TEMPÉRATURE DE L'EAU DE LA CUVE DE RINÇAGE FINAL	TEMPÉRATURE DE L'EAU DE RINÇAGE FINAL	COMMENTAIRES – CONSIGNÉ PAR



# CLeN-SERIES DISHWASHERS LAVE-VAISSELLE DE LA GAMME CLeN LAVAVAJILLAS SERIE CLeN

MODEL  
MODÈLE  
MODELO

R-L OPERATION  
EXPLOITATION D A G  
FUNCIONAMIENTO D-I

L-R OPERATION  
EXPLOITATION G A D  
FUNCIONAMIENTO I-D

CL44eN-BAS/CL44eN-EGR/CL44eN-ADV	ML-138401-0000Z	ML-138402-0000Z
CLPS66eN-BAS/CLPS66eN-EGR/CLPS66eN-ADV	ML-138403-0000Z	ML-138404-0000Z
CLCS66eN-BAS/CLCS66eN-EGR	ML-138409-0000Z	ML-138410-0000Z
CL54eN-BAS/CL54eN-EGR/CL54eN-ADV	ML-138405-0000Z	ML-138406-0000Z
CLPS76eN-BAS/CLPS76eN-EGR/CLPS76eN-ADV	ML-138407-0000Z	ML-138408-0000Z
CLCS76eN-BAS/CLCS76eN-EGR	ML-138411-0000Z	ML-138412-0000Z
CL64eN-BAS/CL64eN-EGR/CL64eN-ADV	ML-138413-0000Z	ML-138414-0000Z
CLPS86eN-BAS/CLPS86eN-EGR/CLPS86eN-ADV	ML-138415-0000Z	ML-138416-0000Z
CLCS86eN-BAS/CLCS86eN-EGR	ML-138417-0000Z	ML-138418-0000Z
CL44eN-VL	ML-138470-0000Z	ML-138471-0000Z
CLPS66eN-VL	ML-138472-0000Z	ML-138473-0000Z



701 S. RIDGE AVENUE  
TROY, OHIO 45374-0001

937 332-3000

[www.hobartcorp.com](http://www.hobartcorp.com)

F47607 (Noviembre 2021)

## **IMPORTANTE PARA SU SEGURIDAD**

ESTE MANUAL ESTÁ DIRIGIDO A PERSONAL CALIFICADO PARA INSTALAR EQUIPOS A GAS, EL QUE DEBERÁ REALIZAR LA PUESTA EN MARCHA INICIAL Y LOS AJUSTES EN TERRENO DE LA MÁQUINA AQUÍ DESCRITA.

DEJE A LA VISTA EN ALGÚN LUGAR DESTACADO LAS INDICACIONES DEL MANUAL EN CASO DE DETECTARSE FUGAS DE GAS. ESTA INFORMACIÓN SE PUEDE OBTENER DEL PROVEEDOR DE GAS LOCAL.

### **IMPORTANTE**

EN CASO DE DETECTAR OLOR A GAS, APAGUE LAS UNIDADES CON LA VÁLVULA DE DESCONEXIÓN PRINCIPAL Y COMUNÍQUESE CON LA COMPAÑÍA O EL PROVEEDOR DE GAS RESPECTIVO.

### **POR SU SEGURIDAD**

NO ALMACENE NI UTILICE GASOLINA U OTROS VAPORES O LÍQUIDOS INFLAMABLES EN LUGARES CERCANOS A ESTE O CUALQUIER OTRO EQUIPO O MÁQUINA.

### **POR SU SEGURIDAD LEA ESTAS INDICACIONES ANTES DE COMENZAR**

NO UTILICE ESTE EQUIPO O MÁQUINA SI ALGUNA DE SUS PIEZAS HA ESTADO SUMERGIDA EN EL AGUA. LLAME DE INMEDIATO A UN SERVICIO TÉCNICO CALIFICADO PARA QUE LO REVISE Y REEMPLACE CUALQUIER PIEZA DEL SISTEMA DE CONTROL O DEL CONTROL DE GAS QUE HAYA ESTADO BAJO EL AGUA.

EN CASO DE CORTE DE SUMINISTRO ELÉCTRICO, NO INTENTE HACER FUNCIONAR ESTE DISPOSITIVO.

# ÍNDICE

GENERAL	4
Desinfección química	5
INSTALACIÓN	5
Desembalaje	5
Instalación del ensamblado de la bomba de calor sin ventilación	5
Códigos de instalación	5
Ajuste de la altura y del nivel de la máquina	5
Montaje de la mesa para vajilla	5
Protectores contra salpicaduras	6
Requisitos para el agua	7
Conexiones de cañerías	7
Conexión al desagüe	7
Juego para templar el agua de desagüe (si viene incluido en el equipo)	8
Conexiones para el agua	8
Instalación del alimentador químico	9
Conexión para vapor (si la máquina está equipada con calentamiento a vapor para el tanque)	9
Conexión para gas (si la máquina está equipada con calentamiento a gas para el tanque)	9
Requisitos de ventilación	11
Campana de techo tipo II	11
Conexiones para ventilación de pantalón	12
Requisitos para el caudal de escape	14
Conexiones eléctricas del lavavajillas	14
Rotación del Motor — Sólo trifásico	16
Conexiones optativas para control de equipo	16
Configuración de recuperación de energía para CLeN-EGR y CLeN-ADV	17
Configuración de mensaje de eliminación de sarro	19
FUNCIONAMIENTO	20
Preparación	20
Si el sistema está equipado con un raspador eléctrico o de esquina (PS/CS)	20
Tanques de lavado y enjuague	20
Modelos CLeN-ADV	21
Modelos CLeN-VL	21
Cortinas y puertas	21
Instalación de la cortina	22
Teclado y pantalla	25
Llenado del lavavajillas	25
Puesta en marcha del lavavajillas con calentamiento a gas (si así está equipado)	25
Temperaturas mínimas	25
Temperaturas mínimas para desinfección a alta temperatura	26
Temperaturas mínimas para desinfección química a baja temperatura	26
Nombres alternativos para temperatura en pantalla	26
Alerta por baja temperatura en el enjuague final (FR)	26
Alerta de temperatura en el tanque	26
Lavado de la vajilla	27
Modo ollas y sartenes	28
Sensor opcional para límite de la mesa	28
Temporizador automático	28
Modo de espera	28
Modo ahorro de energía	28
Modo agua sucia	28
LIMPIEZA	29
Procedimiento para eliminar el sarro	31
Borrar mensaje "Delime Recommended" (se recomienda eliminar sarro)	32
Qué hacer y qué no hacer con su nueva lavadora de utensilios Hobart	32
PROGRAMACIÓN	33
Niveles de seguridad para la programación	33
Programación de las instrucciones	34
Indicadores en el menú de pantalla	35
Menú para ingreso de parámetros	35
Navegación por el menú de parámetros	35
MANTENIMIENTO	37
Ventilación	37
Lubricación	37
Servicio técnico	37
SOLUCIÓN DE PROBLEMAS	38

# Instalación, funcionamiento y cuidado de los lavavajillas series CLeN

## GUARDE ESTAS INSTRUCCIONES

### GENERAL

Los modelos CLeN son lavavajillas con canastillas que se deslizan de un extremo a otro de la máquina permitiendo lavar y enjuagar la loza de manera continua. Las bombas y el enjuague final se activan al insertar la canastilla que habilita la opción de lavado o enjuague requerida. Los lavavajillas de la serie CLeN se presentan en diferentes tamaños, con secciones y características optativas y funcionan a distintas velocidades para cumplir con los requisitos de productividad y desempeño. Todos los lavavajillas de la serie CLeN poseen controles electrónicos con pantallas digitales que indican la temperatura.

Los modelos CLeN-EGR poseen un sistema de recuperación de energía del agua de desagüe que incluye templado de la misma y todas las características estándar del CLeN. Estos modelos usan un intercambiador de calor que captura la energía proveniente del agua de desagüe y precalienta el agua fría entrante para el enjuague final. Los modelos CLeN-EGR solo están disponibles con modo desinfección con agua caliente, trifásicos e incorporan de manera estándar un calefactor de refuerzo de 30kW, diseñado para mantener la temperatura del enjuague final en 180°F (82°C) con un mínimo de 55°F (13°C) para el agua fría entrante.

Los modelos CLeN-ADV poseen un sistema de extracción automática de suciedad (ASR), además de todas las características estándar del CLeN-EGR. El sistema ASR automáticamente desvía los restos de alimento previamente desechados hacia un canasto externo recolector de desechos ubicado en el extremo de carga del lavavajillas. Esto permite mantener más limpia el agua de lavado, reduciendo la frecuencia de los cambios de agua. De esta manera, el cliente ahorra en productos químicos, agua y energía. Los lavavajillas de la serie CLeN-ADV solo están disponibles con modo desinfección con agua caliente, calefacción eléctrica, voltaje trifásico e incorporan de manera estándar un calefactor de refuerzo de 30kw. Los modelos CLeN-ADV no están disponibles con una unidad esquinera para desechos (CLCS).

Los modelos CLeN-VL tienen un sistema sin ventilación e incluyen todas las características estándar de los modelos básicos CLeN. El sistema sin ventilación utiliza la tecnología de bomba de calor de energía eficiente combinada con la recuperación de energía para eliminar la necesidad de ventilación directa, mientras que proporciona calor auxiliar al tanque de lavado. Las máquinas CLeN-VL requieren solamente un solo suministro de agua fría y sólo están disponibles en el modo de desinfección de agua caliente, calefacción eléctrica, suministro de voltaje trifásico y vienen de forma estándar con un calentador de refuerzo integrado de 30KW.

Las máquinas se pueden solicitar según si funcionan de izquierda a derecha o viceversa. Se debe especificar el tipo de calentamiento para el tanque (eléctrico, a gas o con vapor) al momento de la orden. Las máquinas vienen desde la fábrica listas para funcionar en el modo desinfección a alta temperatura.

Hobart ofrece tres posibilidades en ángulo recto para instalar la máquina en una esquina (no está disponible en los modelos CLeN-VL):

- El cargador lateral desliza la canastilla en ángulo recto dentro de la máquina desde la zona de prelavado.
- El descargador de transmisión directa mueve la canastilla en ángulo recto para que salga de la máquina y se dirija a la mesa donde se podrán desplegar los utensilios limpios.
- El prelavado angular (en modelos CLCS) coloca un prelavado eléctrico en la esquina de la terminal de carga de la máquina, compartiendo la entrada angular con una sección para prelavado.



## DESINFECCIÓN QUÍMICA

Las máquinas CLeN se pueden adecuar para que funcionen con el modo desinfección a baja temperatura utilizando desinfectantes químicos. Consulte en página 36 "Las instrucciones para programar el modo desinfección". **NOTA:** La desinfección química no está disponible en los modelos CLeN-EGR, CLeN-ADV o CLeN-VL.

Cuando la máquina se enciende, el modo desinfección con agua caliente se indica en pantalla como "High Temp" (alta temperatura). El modo desinfección química o con baja temperatura se denomina "Low Temp" (baja temperatura).

El modelo CLeN que funciona con desinfección química utiliza agua entrante y agua del enjuague final a una temperatura mínima de 120° F (49°C). Los calentadores del tanque elevan esta temperatura a 130° F (54°C) para lavar y para el enjuague eléctrico, si está equipado.

# INSTALACIÓN

## DESEMBALAJE

Una vez desembalado el lavavajillas, revise si está dañado debido al transporte. Si detecta daños, guarde el material de embalaje y comuníquese con el transportista dentro de los 5 días siguientes al despacho.

**NOTA:** En los modelos CLeN-VL, el ensamblaje de la bomba de calor sin ventilación se envía por separado en su propio palé.

Antes de instalar, verifique que la energía eléctrica local cumple con las especificaciones indicadas en la placa de datos de la máquina ubicada al lado izquierdo de la caja de control.

Después de desembalar el lavavajillas, retire las piezas que vienen sueltas en su interior (tubo de rebalse o tubo vertical, salpicaderos, cortinas, tapas adicionales de brazos de lavado, folleto con instrucciones y juego de tapones de la cámara). Solo en el caso de modelos CLeN-ADV, retire el canasto ASR externo desde el interior del lavavajillas e instálelo en su alojamiento ubicado en el extremo de carga.

## INSTALACIÓN DEL ENSAMBLADO DE LA BOMBA DE CALOR SIN VENTILACIÓN

Consulte el manual de instalación de servicio de los sistemas sin ventilación CLeN de Hobart, F-45820.

## CÓDIGOS DE INSTALACIÓN

La instalación debe cumplir con los códigos estatales y locales o, en su defecto, con el Código Nacional del Gas Combustible ANSI Z223.1 (última edición), si corresponde, y con el Código Nacional Eléctrico ANSI/NFPA 70 (última edición). En Canadá, las normas de instalación son CAN/CSA B149.1 y CSA C22.1 (últimas ediciones).

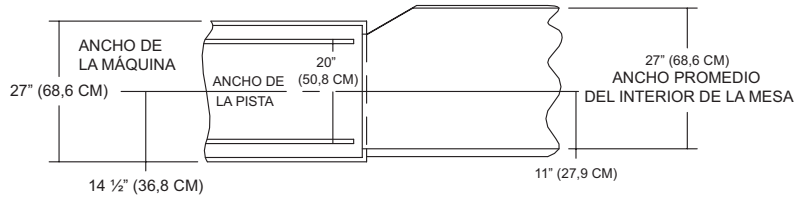
## AJUSTE DE LA ALTURA Y DEL NIVEL DE LA MÁQUINA

Coloque el lavavajillas en un lugar adecuado. Acomode la altura y el nivel de la máquina girando los pies de ajuste hacia adentro o hacia afuera según sea necesario.

## MONTAJE DE LA MESA PARA VAJILLA

Las mesas para vajilla se insertan dentro del lavavajillas (Figuras 1, 2 y 3). Selle con silicona la unión entre la mesa y el borde del tanque para evitar fugas. El riel de la canastilla debe ubicarse entre 1/4 y 5/16" (0,63 y 0,79 cm) por sobre el borde del tanque (Figura 2). Es conveniente inclinar las mesas de tal manera que el agua que escurre por el lavavajillas caiga dentro de la máquina, no así la que proviene de la zona de prelavado.

**NOTA:** El lavavajillas debe estar en su ubicación definitiva, ajustado a una altura apropiada y nivelado adecuadamente antes de ensamblar la mesa y de conectar a las cañerías.



DISPOSICIÓN SUGERIDA PARA LA PISTA Y LA MESA

Figura 1

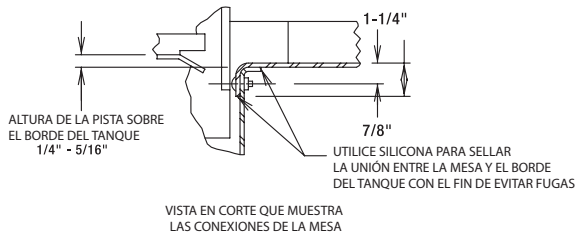


Figura 2

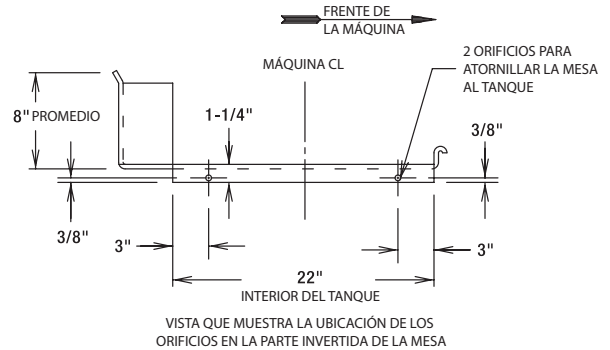


Figura 3

En las instalaciones CLeN-VL, las campanas extendidas pueden ajustarse para acomodar las variaciones en las mesas de platos aflojando los tres tornillos.

## PROTECTORES CONTRA SALPICADURAS

En todos los modelos CLeN (excepto en los modelos CLeN-VL), se envían dos protectores contra salpicaduras con la máquina para su instalación en la parte delantera de los extremos de carga y descarga de la máquina. Monte los protectores contra salpicaduras en los extremos de la cámara usando la tornillería incluida. Los protectores contra salpicaduras deben instalarse dentro del borde de la mesa para evitar que el agua gotee en el suelo (Figura 4).



Figura 4

## REQUISITOS PARA EL AGUA

Si el agua es de buena calidad, el desempeño de la lavadora de utensilios mejorará al reducirse la posibilidad de manchas, aumentar la eficiencia y prolongar la vida útil del equipo. Las condiciones del agua varían de una localidad a otra. El tratamiento hídrico recomendado para lograr un uso eficiente y efectivo del equipo también variará dependiendo de las condiciones locales del agua. Consulte con su proveedor municipal de agua sobre las especificaciones locales del suministro antes de hacer la instalación.

La dureza recomendada para el agua es de 3 granos por galón o menos. Los cloruros no deben exceder las 30 partes por millón. La dureza del agua que sobrepase los 3 granos por galón se deberá tratar con un acondicionador de agua (suavizante o tratamiento en línea). Se ha observado que el tratamiento del agua reduce los costos asociados a la limpieza de la máquina, la eliminación de sarro del lavavajillas y el uso de detergente. **NOTA:** En el caso de los modelos CLeN-VL, es posible que la garantía de Hobart no cubra los daños en el sistema de la bomba de calor debidos a la mala calidad del agua.

Los sedimentos, la sílice, los cloruros u otros sólidos disueltos tal vez requieran de filtración de partículas u otro tratamiento hídrico.

Si una inspección del lavavajillas o del sobrecalentador confirma la acumulación de sarro después de que el equipo se ha puesto en funcionamiento, se recomienda realizar un tratamiento en línea para el agua. Comuníquese con el servicio técnico local de Hobart para recibir las instrucciones correspondientes.

## CONEXIONES DE LAS CAÑERÍAS

**▲ ADVERTENCIA** Las conexiones de cañerías deben cumplir con la normativa sanitaria y de seguridad que corresponda.

El plomero encargado de conectar la máquina es responsable de asegurar que las líneas de agua y las de vapor hayan sido ENJUAGADAS A FONDO ANTES de conectarlas a cualquier válvula manual o solenoide.

Este "enjuague" es necesario para eliminar toda materia extraña, como las virutas resultantes de cortar o atornillar las tuberías, los compuestos que unen los tubos a la línea o, en el caso de utilizar accesorios soldados, pedazos de soldadura o de corte de la tubería. Si no se eliminan los residuos, estos se pueden alojar en las válvulas e impedir su funcionamiento. Las válvulas manuales o los solenoides que presenten problemas por causa de materias extrañas y cualquier tipo de gastos en que se incurra debido a la presencia de tales desechos NO son responsabilidad del fabricante.

### Conexión al desagüe

El desagüe de uso común para los tanques requiere de una sola conexión al piso. Se puede conectar por cualquiera de sus extremos. Para el terminal opuesto se utiliza el tapón de tubo proporcionado. **NOTA:** En el caso de los modelos CLeN-EGR y CLeN-ADV, podría ser necesario tener que reubicar las tuberías de drenaje de fábrica en el lado opuesto del cuerpo de drenaje (Figura 5). Conecte el desagüe (Figura 6) a la alcantarilla por medio de una trampa utilizando un tubo de 2" (5 cm) NPT. Si se necesita una trampa de grasa según lo indica la normativa, esta deberá tener una capacidad mínima de flujo de 38 galones por minuto.

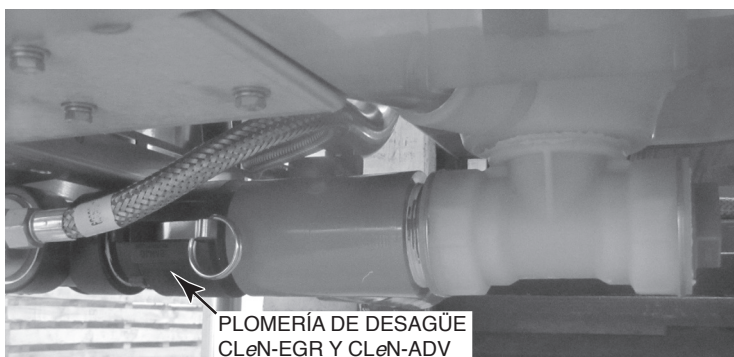


Figura 5



Figura 6

## Juego para templar el agua de desagüe (si viene incluido en el equipo)



Figura 7

Se incluye en todos los modelos CLeN-EGR y CLeN-ADV y está disponible como accesorio en todos los modelos CLeN-BAS y CLeN-VL. Consulte las instrucciones de instalación del kit de templado de agua del desagüe F-45654 CLeN que se suministran con el kit para su correcta instalación. **NOTA:** En los modelos CLeN-EGR y CLeN-ADV, el termostato DWT se monta en el marco detrás del panel frontal (Figura 7). El termostato capilar debe dirigirse e instalarse en la línea de desagüe en el punto de la conexión de fábrica.

## Conexiones para el agua

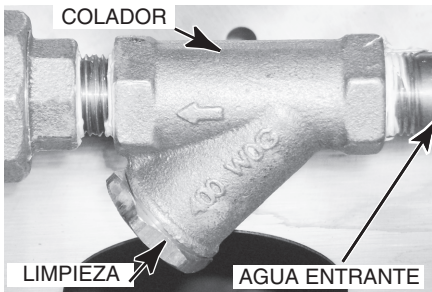


Figura 8

Los modelos CLeN-BAS requieren un suministro único de agua caliente de entrada. Los modelos CLeN-EGR y CLeN-ADV requieren un suministro de agua caliente y fría. Los modelos CLeN-VL requieren un solo suministro de agua fría. Use tubos con diámetro interno (I.D.) mínimo de 1/2" (1,27 cm) para la línea que provee el agua entrante a la máquina (Figura 8). Se debe mantener una presión para el caudal de 15 a 25 psig en la máquina. En caso de grandes cargas, utilice cañerías más grandes y aisladas para asegurar una presión y una temperatura adecuadas. En los modelos CLeN-BAS sin sobrecalentador, si la presión del flujo supera los 25 psig, debe instalarse una válvula reductora de presión (por otros) en la línea de suministro de agua antes del sobrecalentador. En modelos CLeN-EGR, CLeN-ADV y CLeN-VL que poseen un sobrecalentador y en todos los modelos, las válvulas reductoras de presión vienen instaladas de fábrica en las líneas de alimentación de agua.

Para conocer los requisitos de temperatura, consulte la tabla "Temperatura necesaria para el agua entrante".

**ATENCIÓN** El regulador de presión del agua debe contar con un desvío de seguridad. El uso de un tipo de regulador inapropiado puede dañar la máquina.

La unidad cuenta con un manómetro para verificar la presión apropiada para el agua.

### TEMPERATURA NECESARIA PARA EL AGUA ENTRANTE

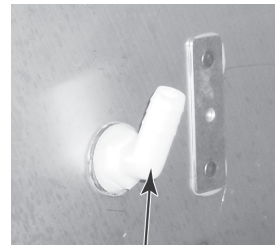
Modelo	Modo desinfección	Conexión	Suministro de agua	
			Mínimo	Máximo
CLeN-BAS sin sobrecalentador incorporado	Desinfección con agua caliente	Agua caliente	180°F (82°C)	194°F (82°C)
CLeN-BAS sin sobrecalentador incorporado	Desinfección química	Agua caliente	120°F (49°C)	N/A
CLeN-BAS con sobrecalentador incorporado de 15kW	Desinfección con agua caliente	Agua caliente	140°F (60°C)	N/A
CLeN-BAS con sobrecalentador incorporado de 30kW	Desinfección con agua caliente	Agua caliente	110°F (43°C)	N/A
CLeN-EGR y CLeN-ADV con sobrecalentador incorporado de 30kW	Desinfección con agua caliente	Agua fría	55°F (13°C)	80°F (27°C)
		Agua caliente	110°F (43°C)	N/A
CLeN-VL con sobrecalentador incorporado de 30kW	Desinfección con agua caliente	Agua fría	55°F (13°C)	80°F (27°C)

## INSTALACIÓN DEL ALIMENTADOR QUÍMICO

Esta máquina funciona con un alimentador automático de detergente y, si corresponde, con un alimentador automático de desinfectante químico, incluyendo algún mecanismo de verificación visual para comprobar que tanto detergentes como desinfectantes han sido incorporados o alguna alarma visual o auditiva que señale si los detergentes y los desinfectantes no están disponibles para los sistemas de lavado y desinfección respectivamente. Los alimentadores químicos no vienen incluidos. Para hacer la conexión eléctrica, consulte en página 16 "Conexiones optativas para control del equipo".

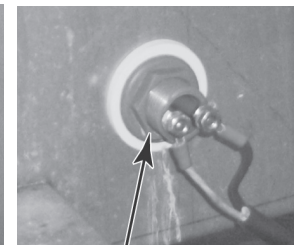
### Alimentador de detergente

Su proveedor de sustancias químicas instalará un puerto alimentador para el detergente similar al que se muestra en la Figura 9 y que permite la descarga del detergente dentro del tanque de lavado. **NOTA:** El agujero tapado de fábrica está en la parte posterior de la máquina en la pared del tanque. No instale el puerto de detergente sobre la unión de la cámara o el tanque. Para los modelos CLPS66eN-VL, para facilitar la instalación, se proporciona un puerto de detergente extendido en la parte posterior del tanque de prelavado.



PUERTO TÍPICO DE ALIMENTACIÓN DE DETERGENTE (NO INCLUIDO)

Figura 9



SENSOR TÍPICO DE DETERGENTE (NO INCLUIDO)

Figura 10

Un dispositivo eléctrico de control similar al que se muestra en la Figura 10 se instalará junto al tanque de agua para indicarle al alimentador que debe mantener la concentración de detergente adecuada.

### Alimentador del agente de enjuague

Este agente se incorpora generalmente al agua de enjuague final por medio de uno de los puertos de la línea de agua entrante ubicado bajo el manómetro (Figura 11).

### Alimentador del desinfectante químico

En máquinas CLen-BAS que trabajan a baja temperatura, el desinfectante químico se incorpora al agua de enjuague final en el otro puerto de la línea de agua entrante ubicado bajo el manómetro (Figura 11).



Figura 11

## CONEXIÓN PARA VAPOR (si la máquina está equipada con calentamiento a vapor para el tanque)

**ATENCIÓN** La presión de vapor debe ser la adecuada para la trampa de vapor que viene incorporada: en el rango de 10 a 50 psig de presión diferencial. Si la presión del flujo excede los 50 psig, se debe instalar un regulador de presión (no incluido) en la línea de alimentación. El flujo de vapor se controla por medio de solenoides.

En caso de instalar bobinas de vapor en tanques individuales, se requieren dos conexiones: una para el suministro y otra para el retorno. Al instalar bobinas de vapor en tanques dobles, se requiere una conexión común para el suministro y dos conexiones para el retorno.

## CONEXIÓN PARA GAS (si la máquina está equipada con calentamiento a gas para el tanque)

Revise la placa de datos sobre el gas que tiene el lavavajillas junto a la caja de control o consulte la etiqueta adjunta al quemador respecto al tipo de gas que debe utilizarse. Todas las máquinas se envían configuradas para funcionar con gas natural. Si se requiere convertir la máquina para usar gas LP (propano), adjunto encontrará un paquete con instrucciones para la conversión; esta debe hacerse antes de que la máquina comience a funcionar.

El quemador no se ajusta. Si la presión del gas supera las 7" (17,8 cm) W.C. (columna de agua) para gas natural y las 11" (27,9 cm) W.C. para gas propano, se debe instalar una válvula reguladora adicional (no incluida) en la línea de alimentación. La presión estática en la línea de entrada no debe exceder las 14" (35,6 cm) W.C. tanto para propano como para gas natural.

**▲ ADVERTENCIA** Es necesario que la línea de alimentación de gas al lavavajillas cuente con una válvula de cierre según lo indica la norma. Tanto el equipo o máquina como sus conexiones de gas deben someterse a una prueba de fugas antes de comenzar a funcionar. Use agua con jabón para revisar fugas. **NO** utilice llamas expuestas.

La instalación debe cumplir con los códigos locales o, en su defecto, con el Código Nacional del Gas Combustible ANSI Z223.1 (última edición) disponible a través de American Gas Association, Inc., 1515 Wilson Blvd., Arlington, VA22209. En Canadá, se deberá cumplir con las normativas CAN/CSA B149.1 y CSA C22.1 (últimas ediciones).

**NOTA:** Para conexiones de tuberías a la línea del gas utilice Loctite 565, número de parte Hobart 546292, o un sellador flexible adecuado para trabajar con gas natural o propano.

- El equipo o máquina y su válvula de cierre individual se deben desconectar del sistema de tuberías para el suministro de gas durante cualquier prueba de presión del sistema que exceda de 1/2 psig (3,45 kPa).
- Se debe aislar el equipo o máquina del sistema de tuberías para suministro de gas cerrando su válvula manual individual durante cualquier prueba de presión de dicho sistema cuando los valores sean iguales o inferiores a 1/2 psig (3,45 kPa).

### ESPECIFICACIONES PARA EL GAS

Modelos	Tipo de gas	BTU/Hr	Tamaño de la línea de conexión	Presión del caudal de gas - No estático Pulgadas de W.C. (columna de agua)		
				Presión en la línea entrante		Presión en el colector
				Mínimo	Máximo	
CL44eN, CLPS66eN CL54eN, CLPS76eN	Natural Propano	78,000 78,000	1/2" NPT 1/2" NPT	3.5" W.C. 9.0" W.C.	7.0" W.C. 11.0" W.C.	3.2" W.C. 8.2" W.C.
CL64eN, CLPS86eN	Natural Propano	156,000 156,000	3/4" NPT 3/4" NPT	3.5" W.C. 9.0" W.C.	7.0" W.C. 11.0" W.C.	3.2" W.C. 8.2" W.C.

Disipe la presión de prueba en la línea de suministro de gas antes de reconectar el equipo o máquina y su válvula de cierre manual.

**ATENCIÓN** Si no sigue este procedimiento se podría dañar la válvula del gas.

**▲ ADVERTENCIA** Las máquinas con calentamiento a gas deben contar con algún medio que permita extraer el gas de la combustión hacia el exterior del edificio.

Consulte acerca de los requisitos de ventilación en páginas 11 a 14.

El lavavajillas se debe instalar de tal manera que el flujo de aire de combustión y de ventilación no se vea obstruido. Asegúrese de que no haya cables eléctricos o cañerías desplegadas en el área por donde escapa el gas. Se requiere que el interior de la cámara de combustión disponga de zonas despejadas adecuadas para los difusores de aire. Asegúrese de que exista un suministro adecuado de aire de reposición en la sala que permita la combustión del gas de los quemadores.

Mantenga el área destinada al equipo o máquina libre y despejada de cualquier sustancia combustible. No obstruya el flujo de aire de combustión y de ventilación. El lavavajillas debe tener un espacio libre mínimo con respecto a la estructura encargada de la combustión de 3" (7,6 cm) en la parte trasera y de 0" (0 cm) en los lados. Es necesario contar con un espacio libre de 23" (58 cm) al frente y de 20" (51 cm) en cada extremo del lavavajillas para un funcionamiento y mantenimiento apropiados.

El quemador se enciende automáticamente gracias a un circuito electrónico de estado sólido. No tiene ignición de piloto. El flujo de gas se regula por medio del circuito de control de temperatura.

## REQUISITOS DE VENTILACIÓN

Para los modelos CLeN-VL, no se requiere el conducto de tipo pantalón ni la ventilación de campana. Asegúrese de que el sistema de climatización de la cámara para platos tenga el tamaño adecuado para manejar la disipación de calor de los platos (calor latente y sensible). No se instalarán parrillas de suministro o retorno de climatización a menos de 24 in del ensamblaje de la bomba de calor.

### Campana de Techo Tipo II

La mayoría de los lavavajillas comerciales cuentan con ventilación externa de acuerdo a la normativa local. La excepción la constituyen las máquinas con calentamiento eléctrico eléctrica o a vapor y que funcionan en el modo desinfección química o a baja temperatura en aquellos lugares en que la ventilación existente contrarresta los vapores que se generan. La autoridad local tiene la última palabra al respecto.

La ventilación se logra a través de una campana de techo que cubre toda la máquina (Figura 12) o por medio de una conexión de ducto pantalón (Figura 13).

Los lavavajillas Hobart de las series CLeN equipados con calentamiento a gas para el tanque no cuentan con un collar para el ducto de la chimenea y no está previsto que dicho ducto se conecte directamente con algún sistema de ventilación. Sin embargo, los productos de la combustión deben ser evacuados al exterior. El aire expulsado no se debe dirigir hacia un muro, hacia el techo o hacia un espacio cerrado del edificio. Se puede emplear una campana de ventilación que abarque todo el lavavajillas (Figura 12) para descargar tanto el aire húmedo de la cámara como los gases de combustión provenientes del quemador a gas. El volumen de gas que escapa y que es necesario para ventilar el aire húmedo y los gases de combustión utilizando una sola campana de ventilación sobre todo el lavavajillas se debe calcular considerando los "Requisitos para el caudal de escape" que se encuentran en la página 14.

Se recomienda el uso de una campana de techo tipo II. Una campana extractora de uso comercial construida en fábrica puede ser considerada en conformidad con la norma 710 de Underwriters Laboratory: "Campanas extractoras para equipamiento de cocina comercial". Las campanas se instalan de acuerdo a las instrucciones del fabricante. El aire de reposición debe ser suministrado de tal manera que la velocidad del flujo de extracción arroje como resultado una presión positiva sobre la estructura de la sala donde se ha instalado la unidad (más aire exterior que aire de extracción). Las campanas construidas de fábrica que no han sido revisadas según la norma 710 de Underwriters Laboratory (UL) y las campanas fabricadas a pedido deben cumplir con las siguientes especificaciones: deben estar hechas de acero inoxidable con un espesor mínimo de 0,022" (0,05 cm) [calibre 24] o con láminas de cobre que pesen al menos 24 onzas por pie cuadrado (0,76 grs/cm<sup>2</sup>). La campana se fija en su lugar por medio de soportes incombustibles y debe cumplir con los "Requisitos para el caudal de escape" de página 14.

## CAMPANA DE TECHO TIPO II

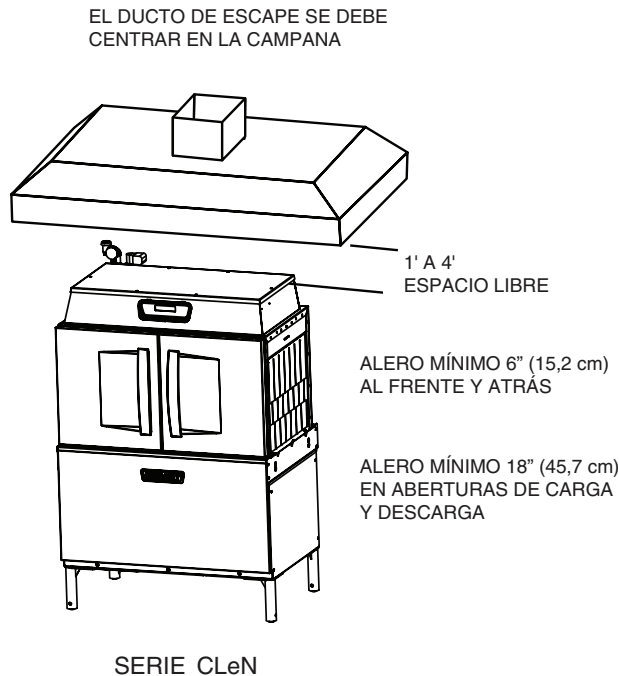


Figura 12

### Conexiones para ventilación de pantalón

**▲ ADVERTENCIA** Las máquinas con calefacción a gas deben contar con algún medio que permita extraer el gas de la combustión hacia el exterior del edificio.

Los conectores de ducto pantalón (Figura 13) por sí solos NO permiten la ventilación del gas de combustión por la parte trasera de la máquina. Para esto se debe utilizar una mini campana de ventilación (Figura 14) o una campana de techo (Figura 12).

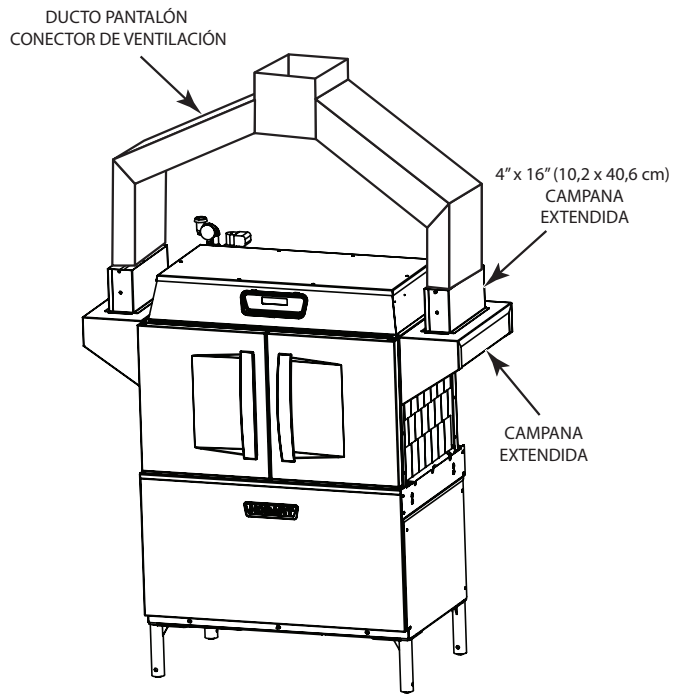
El aire húmedo escapa por cada extremo del lavavajillas con cinta transportadora. Se recomienda una extracción de 200pies<sup>3</sup>/min (CFM) (5,66m<sup>3</sup>/min) tanto en el extremo de entrada del lavavajillas y de 400 CFM (11,3m<sup>3</sup>/min) en el extremo de descarga. Se puede disponer de campanas de ventilación optativas o de campanas extendidas en cada extremo de la máquina. Es necesario suministrar suficiente aire de reposición para que el flujo de extracción arroje como resultado una presión positiva en la estructura de la sala donde se instala la unidad (más aire exterior que aire de escape). Las campanas están provistas de conectores para ventilación de 4"x16" (10,2 x 40,6 cm) con reguladores que permiten el ajuste al momento de la instalación. La estructura típica corresponde a conexiones de campana "Pantalón" para conectores de ventilación de 4" x 16" (10,2 x 40,6 cm) (Figura 13). La chimenea de ventilación debe ser hermética y calzar dentro de las aberturas del conector.

Si utiliza el ducto "Pantalón" debe acompañarlo de una mini campana de ventilación (Figura 14) para dispersar los gases de combustión de las máquinas que funcionan con calentamiento a gas. La mini campana de ventilación se ubica a una distancia mínima de 18" (45,7 cm) sobre la salida de los gases de combustión en la parte trasera del lavavajillas conectada al ducto que allí se encuentra. El volumen de gas de combustión que escapa a través de la mini campana de ventilación no debe exceder los 200 CFM (5,66m<sup>3</sup>/min).

En cualquier caso, si se utiliza un medio eléctrico para el escape del gas, es necesario contar con un enclavamiento eléctrico que permita que el gas fluya hacia el quemador del lavavajillas solo cuando el sistema de extracción esté funcionando.

Para mayor información, consulte el Código Nacional del Gas Combustible ANSI Z223.1, NFPA54. En todos los casos prevalecerá siempre la normativa local.





SERIE CLeN

Figura 13

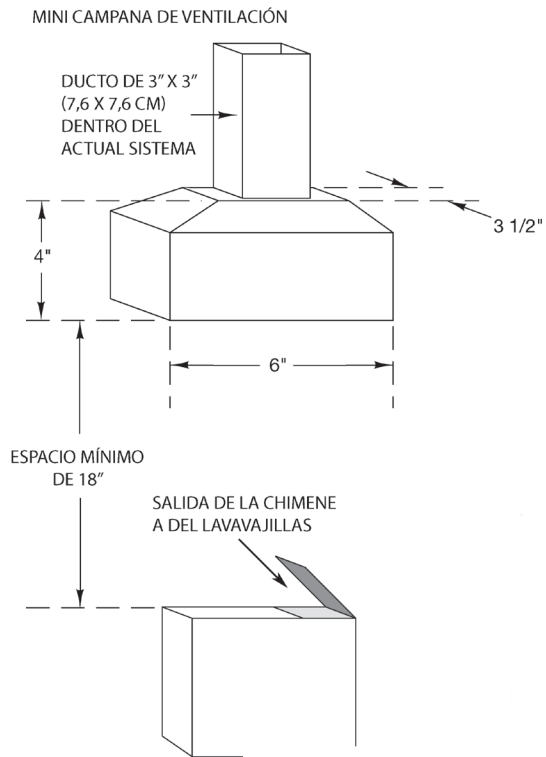


Figura. 14

## Requisitos para el caudal de escape

Las siguientes consideraciones se basan en el Código de mecánica internacional de 2015 (IMC):

El flujo de aire que se requiere para una campana de ventilación se calcula teniendo en cuenta la longitud de la cara frontal de la campana, medida en forma paralela al frente del equipo o máquina (ver LONGITUD en Figura 15). El flujo mínimo de aire neto para campanas Tipo II usadas en lavavajillas es de 100 CFM (28m<sup>3</sup>/min) por pie lineal (30 cm) de la longitud de la campana. Simplemente multiplique la longitud de la campana, en pies (cm), por 100 CFM (28m<sup>3</sup>/min) para obtener la tasa de flujo requerida.

Reste el flujo de aire de reposición suministrado directamente a la cavidad de la campana de la tasa de flujo de escape total, si corresponde.

Para diseños de campanas no considerados en estos cálculos, consulte la última edición del IMC u otros códigos locales.

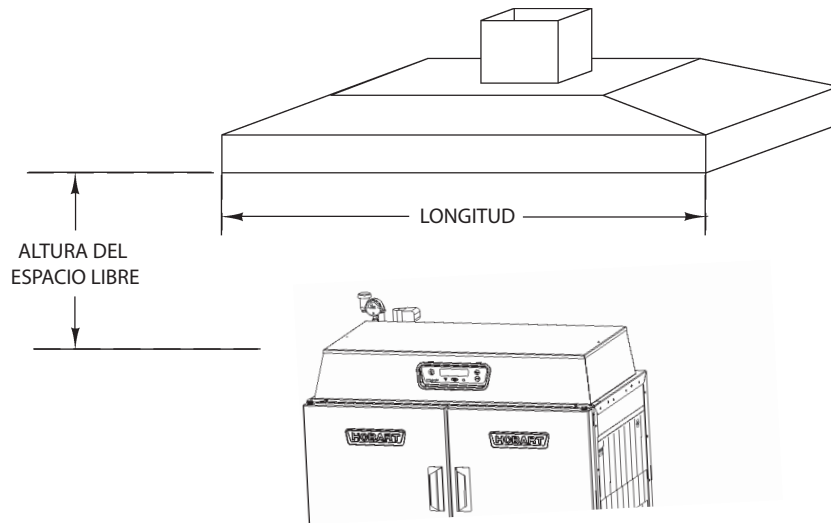


Figura 15

## CONEXIONES ELÉCTRICAS DEL LAVAVAJILLAS

**▲ ADVERTENCIA** Las conexiones eléctricas y a tierra deben cumplir con las secciones correspondientes del Código Nacional de Electricidad ANSI/NFPA 70, en su última edición y con otros códigos eléctricos locales.

**▲ ADVERTENCIA** Desconecte la máquina de la corriente eléctrica y siga los procedimientos de bloqueo y etiquetado. Puede haber varios circuitos. Asegúrese de que todos estén desconectados.

Conecte un suministro permanente de energía eléctrica al bloque de terminales en la caja de control ubicada en la parte superior de la máquina. Para hacer la conexión de manera correcta, consulte la placa de datos que se encuentra en la máquina y el diagrama eléctrico ubicado en la tapa de la caja de control.

**NOTA:** Los lavavajillas CLeN no están provistos con protección GFCI interna.

Los lavavajillas CLeN (eléctricos, de gas o de vapor) que no están equipados con el sobrecalentador eléctrico interno Hobart, se envían de fábrica cableados para una conexión eléctrica de un solo punto que incluye los motores y controles y la calefacción del tanque. Los modelos de calefacción eléctrica del tanque se pueden convertir en el lugar en configuraciones eléctricas de dos o varios puntos. Las instrucciones de conversión se encuentran en la cajuela de control del lavavajillas situada en la parte superior de la unidad. **NOTA:** Para las máquinas de calor eléctricas, la Conexión eléctrica de un solo punto sólo está disponible en configuraciones de tensión trifásica. Las unidades de calor eléctrico monofásicas se envían con una configuración eléctrica de doble punto.

Todas las máquinas 480/60/3, 380/60/3 (excepto los modelos de dos tanques con calefacción eléctrica) y 600/60/3 equipadas con el sobrecalentador eléctrico interno de Hobart se envían de fábrica cableadas para una conexión eléctrica de un solo punto que incluye motores y controles, calefacción eléctrica del tanque (si está equipada) y el sobrecalentador eléctrico. La unidad se puede convertir en el lugar en configuraciones eléctricas de doble o múltiple punto. Las instrucciones de conversión se encuentran en la cajuela de control del lavavajillas situada en la parte superior de la unidad.

Para todos los demás voltajes de los lavavajillas CLeN equipados con el sobrecalentador eléctrico interno Hobart, la unidad se enviará de fábrica configurada para conexiones eléctricas dobles; hay juegos de conexión eléctrica de un solo punto disponibles instalados en el lugar. Los juegos incluyen todos los cables, fusibles, bloques de terminales e instrucciones de cableado necesarios para configurar la máquina para una conexión eléctrica de un solo punto que incluye motores y controles, calefacción eléctrica del tanque (si está equipado) y el sobrecalentador eléctrico. Consulte la tabla siguiente para determinar qué juego de un solo punto se necesita en función del modelo, el tipo de calefacción del depósito y el voltaje.

**NOTA:** La conexión eléctrica de un solo punto no está disponible como configuración estándar en CL44eN-VL, CLPS66eN-VL, CL64T y otras configuraciones de dispositivos especiales. Póngase en contacto con el departamento de ventas de Hobart si tiene preguntas específicas sobre las configuraciones especiales.

Calentamiento del tanque	Modelo	Voltios / Hz / Fase	Juego de accesorios de venta
Eléctrico	CL44eN CL54eN CLPS66eN CLCS66eN CLPS76eN CLCS76eN	200/50/3	SGLPT-KIT4-CLE
		208/60/3	
	CL64eN CLPS86eN CLCS86eN	200/50/3	SGLPT-KIT3-CLE
		208/60/3	
		240/60/3	
	CL44eN CL54eN CLPS66eN CLCS66eN CLPS76eN CLCS76eN	240/60/3	SGLPT-KIT2-CLE
		CL64eN CLPS86eN CLCS86eN	
		380-415/50/3	
Gas	CL44eN CL54eN CL64eN CLPS66eN CLPS76eN CLPS86eN	208-240/60/3	
Vapor	CL44eN CL54eN CL64eN CLPS66eN CLCS66eN CLPS76eN CLCS76eN CLPS86eN CLCS86eN	200-240/50/3	
		208-240/60/3	

## Rotación del Motor — Sólo trifásico

**ATENCIÓN** Antes de hacer funcionar una máquina trifásica, verifique que el motor de la cinta transportadora gira en la dirección correcta. La caja de control es precableada en la fábrica de tal manera que todos los motores están sincronizados. Si la rotación del motor de la cinta transportadora es correcta, los motores de la bomba también funcionarán de manera correcta. Una rotación incorrecta se traducirá en un mal desempeño.

Para revisar la rotación del motor de la cinta transportadora:

Cierre las puertas de la máquina, presione POWER en el teclado y permita que la máquina se llene. Una vez que la máquina esté completamente llena, presione POWER para apagarla.

**⚠ ADVERTENCIA** Desconecte la máquina de la corriente eléctrica y siga los procedimientos de bloqueo y etiquetado. Puede haber varios circuitos. Asegúrese de que todos estén desconectados.

Retire el panel frontal ubicado bajo las puertas. Conecte nuevamente la máquina a la corriente eléctrica teniendo cuidado de no tocar ninguna pieza que se encuentre sin protección debido al retiro del panel frontal. Presione START/ENTER en el teclado y compruebe la rotación adecuada del motor de la siguiente manera:

El motor y el embrague de la cinta transportadora deben rotar hacia la izquierda, si se trata de máquinas que funcionan de derecha a izquierda, y hacia la derecha en máquinas que funcionan de izquierda a derecha.

Si la rotación del motor de la cinta transportadora es correcta, presione POWER para apagar la máquina. Desconecte la máquina de la corriente eléctrica y vuelva a colocar el panel frontal.

Si el motor de la cinta transportadora no gira en la dirección correcta, desconecte la máquina de la corriente eléctrica. En la caja de control ubicada en la parte superior de la máquina, invierta cualquier par de conductores entrantes para el suministro eléctrico, ya sea los cables que conectan toda la máquina o los conectores del motor y de los controles en caso de haber sido cableados independientemente de los calentadores. En otras palabras, no invierta solo los conductores del motor de la cinta transportadora.

Conecte nuevamente la máquina a la corriente eléctrica. Revise otra vez la rotación del motor de la cinta transportadora. El motor y el embrague de la cinta transportadora deben rotar hacia la izquierda, si se trata de máquinas que funcionan de derecha a izquierda, y hacia la derecha en máquinas que funcionan de izquierda a derecha.

Si la rotación del motor de la cinta transportadora es correcta, presione POWER para apagar la máquina. Desconecte la máquina de la corriente eléctrica. Vuelva a colocar la tapa superior de la caja de control y el panel frontal.

## Conexiones optativas para control del equipo

**⚠ ADVERTENCIA** Las conexiones eléctricas y a tierra deben cumplir con las secciones correspondientes del Código Nacional de Electricidad NFPA 70 (última edición) y con otros códigos eléctricos locales.

**⚠ ADVERTENCIA** Desconecte la máquina de la corriente eléctrica y siga los procedimientos de bloqueo y etiquetado. Puede haber varios circuitos. Asegúrese de que todos estén desconectados.

### Alimentador para detergente

El valor máximo para un dispensador de detergente conectado al DPS1 y al DPS2 (sistema eléctrico para detergente) es de 1,5 amps para la línea de voltaje. Consulte "Instalación del alimentador químico" en página 9.

### Alimentador del agente de enjuague y del desinfectante químico

El valor máximo para el dispensador del agente de enjuague y para el alimentador del desinfectante químico conectados al RPS1 y RPS2 (sistema eléctrico de enjuague) es de 1,5 amps en la línea de voltaje. Consulte "Instalación del alimentador químico" en página 9.

### Control de la rejilla de ventilación (no disponible en los modelos CLen-VL)

La capacidad máxima de un ventilador conectado al VFC1 y al VFC2 es de 1 HP @ 120 V CA, 2.5 HP @ 240 V CA.

El circuito de control del ventilador de ventilación encenderá y apagará el ventilador de techo con la energía del lavavajillas, eliminando la necesidad de un interruptor por separado en la pared. Cuando se utiliza este circuito, el extractor del techo se enciende cuando se presiona el botón de encendido del lavavajillas CLeN y el ventilador se apaga cuando se presiona el botón de encendido para apagar el lavavajillas.

El lavavajillas no suministra ningún voltaje a través de este circuito. Es un circuito de control que utiliza un contacto seco. Un cable energizado del control del ventilador de techo se conecta a uno de los terminales del ventiloincubador ubicados en el bloque de terminales de 5 TB en la caja de control CLeN en la parte superior de la unidad y un segundo cable se conecta al segundo terminal del ventiloincubador y se conecta al control del ventilador de techo completando el circuito. El lavavajillas abrirá y cerrará este circuito al encenderse y apagarse, lo que encenderá y apagará el extractor del techo con el lavavajillas.

## CONFIGURACIÓN DE RECUPERACIÓN DE ENERGÍA PARA CLeN-EGR Y CLeN-ADV

**⚠ ADVERTENCIA** Desconecte la corriente eléctrica del lavavajillas y siga los procedimientos de bloqueo y etiquetado. Puede haber varios circuitos. Asegúrese de que todos estén desconectados.

**⚠ ATENCIÓN** El procedimiento de configuración se debe realizar después de finalizar la conexión del agua caliente y del agua fría, cuando los tanques estén llenos y el lavavajillas listo para funcionar.

1. DESCONECTE la corriente eléctrica principal del lavavajillas en el tablero del cliente.
2. Asegúrese de que los tanques estén vacíos. Si no lo están, jale la palanca de desagüe y permita que se vacíen.
3. Desconecte un cable eléctrico de la bobina del solenoide de llenado con agua caliente ubicado en la parte trasera superior del lavavajillas deslizando la cubierta de la bobina y desconectando uno de los cables (Figuras 16 y 17).

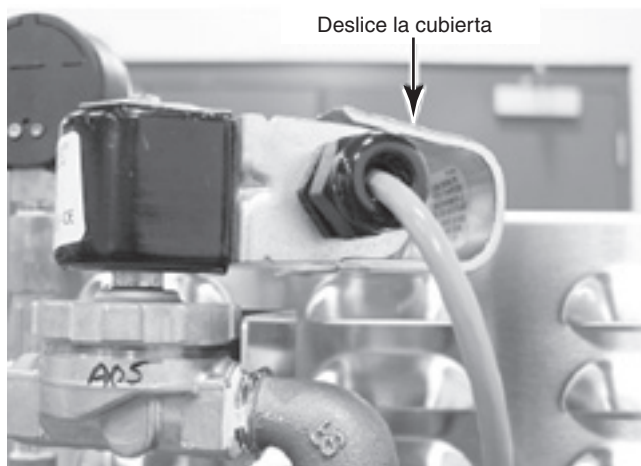
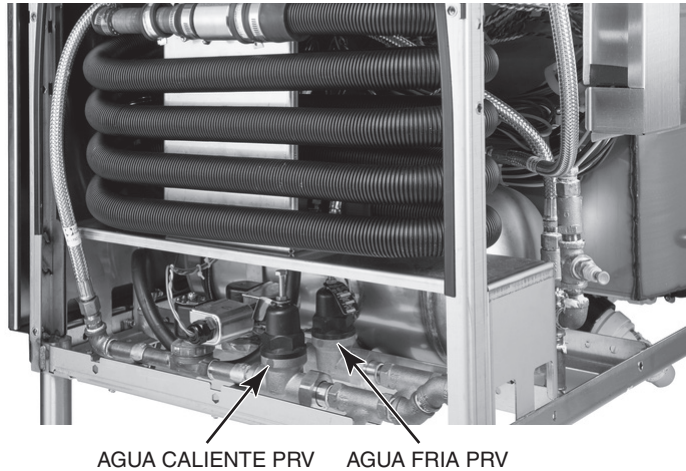


Figura 16



Figura 17

4. CONECTE la corriente eléctrica principal del lavavajillas en el tablero del cliente.
5. Presione el botón POWER en el teclado para encender el lavavajillas.
6. Asegúrese de que la pantalla muestre “Tank(s) Filling” y de que el agua fluya al interior del lavavajillas a través de los brazos de enjuague final.
7. Mientras esto sucede, ajuste el regulador de presión de agua caliente del enjuague final (Figura 18) hasta que el manómetro indique  $20 \pm 5$  PSI.



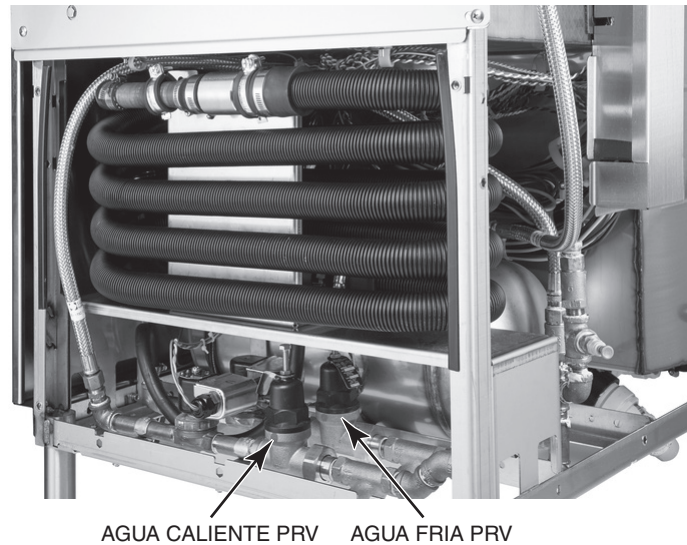
**Figura 18**

8. Presione el botón POWER en el teclado para apagar el lavavajillas.
9. DESCONECTE la corriente eléctrica principal del lavavajillas en el tablero del cliente.
10. Conecte el cable de la bobina de la válvula de llenado desconectado en el paso 3 y coloque nuevamente la cubierta de la bobina del solenoide.
11. CONECTE el lavavajillas a la corriente eléctrica principal en el tablero del cliente.
12. Presione el botón POWER en el teclado para encender el lavavajillas.
13. Verifique que el ciclo de llenado esté funcionando de manera correcta permitiendo que el lavavajillas llene completamente los tanques y entre en modo inactivo (en pantalla ya no debería aparecer “Tank(s) Filling” una vez que el lavavajillas está completamente lleno). **NOTA:** durante el proceso de llenado, el manómetro deberá indicar 5 PSI, aproximadamente.
14. Abra la puerta del lavavajillas e inserte una canastilla invertida en la zona del enjuague final para activar el flujo (Figura 19).



**Figura 19**

15. Presione el botón START ubicado en el teclado y asegúrese de que el enjuague final se active.
16. Mientras el agua del enjuague final ingresa, ajuste el regulador de presión de agua fría (Figura 20) hasta que el manómetro indique  $20 \pm 5$  PSI.



**Figura 20**

17. Presione el botón POWER en el teclado para apagar el lavavajillas.
18. DESCONECTE la corriente eléctrica principal del lavavajillas en el tablero del cliente.
19. Abra la puerta del lavavajillas y retire la canastilla de la zona de enjuague final.
20. CONECTE el lavavajillas a la corriente eléctrica principal en el tablero del cliente. Ahora la unidad se encuentra lista para operar de manera normal.

## **CONFIGURACIÓN DE MENSAJE DE ELIMINACIÓN DE SARRO**

Todos los modelos CLeN cuentan con la opción de notificar al operador si es necesario eliminar el sarro según la dureza del agua entrante al lavavajillas y el uso del agua en el enjuague final. Consulte la sección “PROGRAMACIÓN” de este manual para determinar la dureza del agua.

# FUNCIONAMIENTO

## PREPARACIÓN

Asegúrese de que el lavavajillas está limpio y todas las piezas están en su lugar.

### Si el sistema está equipado con un raspador eléctrico o de esquina (ps/cs)

Instale el tubo vertical en el tanque del prelavado (Figura 21). Este tubo vertical con colador (Figura 21) se ubica en el primer tanque donde la canastilla ingresa en la máquina.

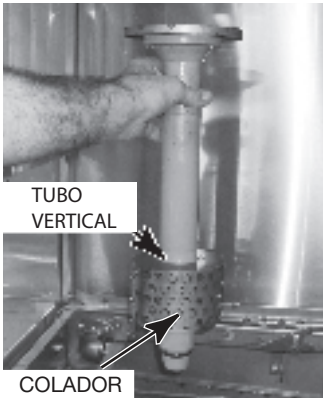


Figura 21

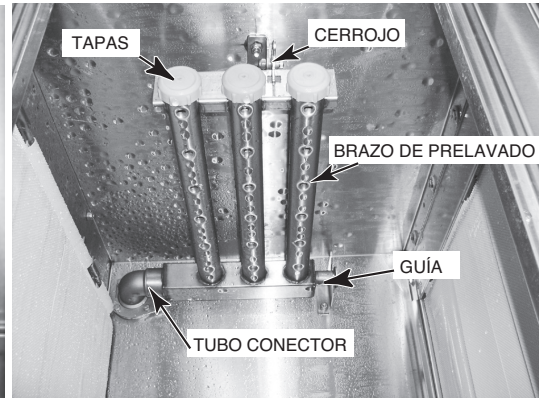


Figura 22

Instale las bandejas coladoras traseras y laterales y baje la cubeta coladora (Figura 23).

Instale el brazo superior (Figura 22) y el brazo inferior de lavado (Figura 23) en el raspador junto con todas las tapas. Empuje el brazo contra el tubo de conexión de tal manera que la guía sujete el extremo opuesto. Luego levántelo o bájelo a su posición, según corresponda.

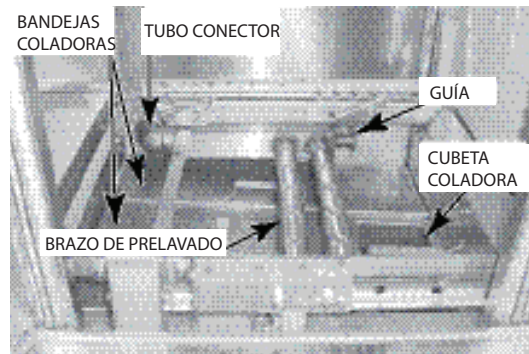


Figura 23

## Tanques de lavado y enjuague

Instale los tubos verticales en el tanque (Figuras 21 y 24). El tubo vertical sin colador (Figura 24) se coloca en el segundo y en el tercer tanque.

Instale la bandeja y la cubeta coladoras (Figura 26).

Instale el brazo superior (Figura 25) y el brazo inferior de lavado (Figura 26) con todas las tapas. Empuje el brazo contra el tubo de conexión de tal manera que la guía sujete el extremo opuesto (Figuras 25 y 26). Luego levántelo o bájelo hacia su posición, según corresponda.



Figura 24

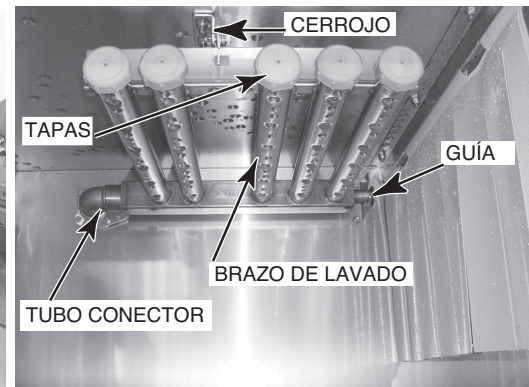


Figura 25

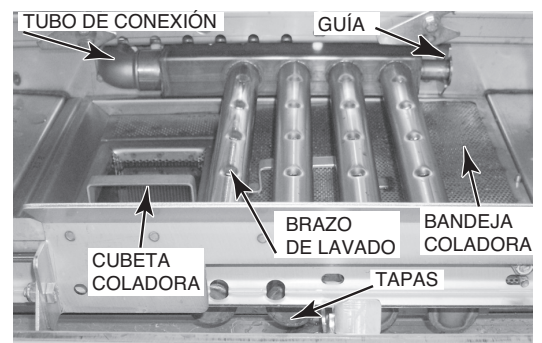


Figura 26



## Modelos CLeN-ADV

Instale el canasto ASR externo (Figura 27) en el alojamiento ASR ubicado en la entrada del lavavajillas.



Figura 27

Instale el canasto ASR interno (Figura 28) en el primer tanque donde la canastilla ingresa al lavavajillas.

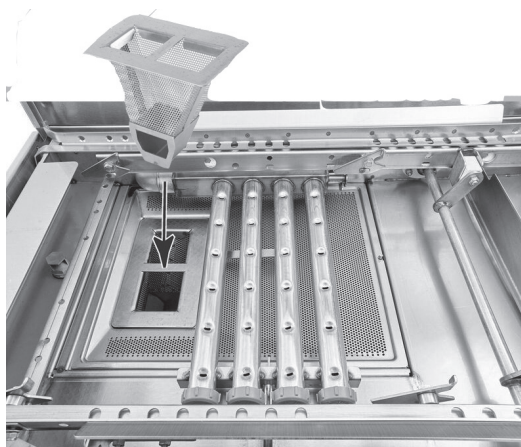


Figura 28

## Modelos CLeN-VL

Asegúrese de que la cubierta del canal de aire esté en su lugar (Figura 29).



Figura 29

## Cortinas y puertas

Cuelgue todas las cortinas conforme lo indica el diagrama (páginas 22 a 24). Cierre todas las puertas. De esta manera, descienden y se asientan los tubos verticales.

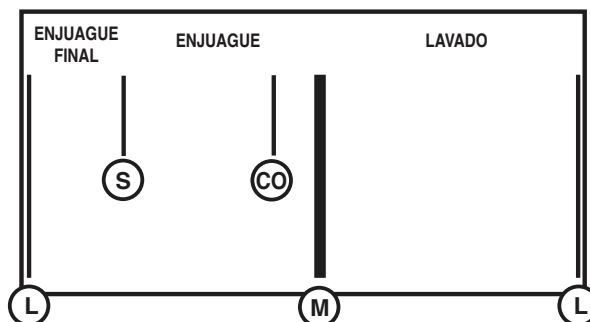
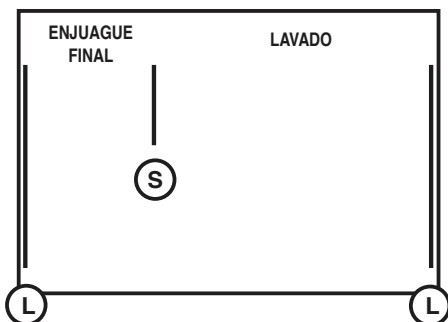
## INSTALACIÓN DE LA CORTINA

Las cortinas están codificadas para una correcta instalación.

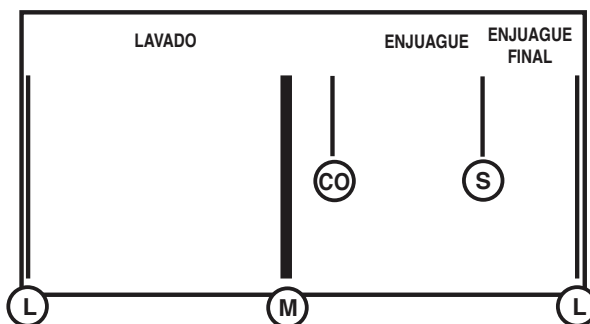
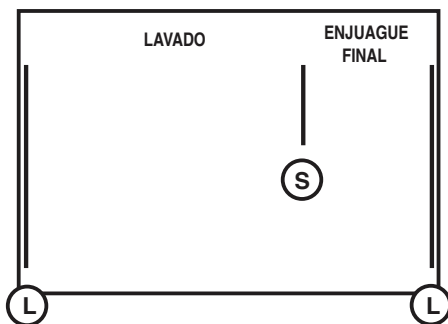
**CL44eN-BAS, CL54eN-BAS**  
**CL44eN-EGR, CL54eN-EGR**  
**CL44eN-ADV, CL54eN-ADV**

**CL64eN-BAS**  
**CL64eN-EGR**  
**CL64eN-ADV**

DE DERECHA  
A IZQUIERDA  
←



DE IZQUIERDA  
A DERECHA  
←

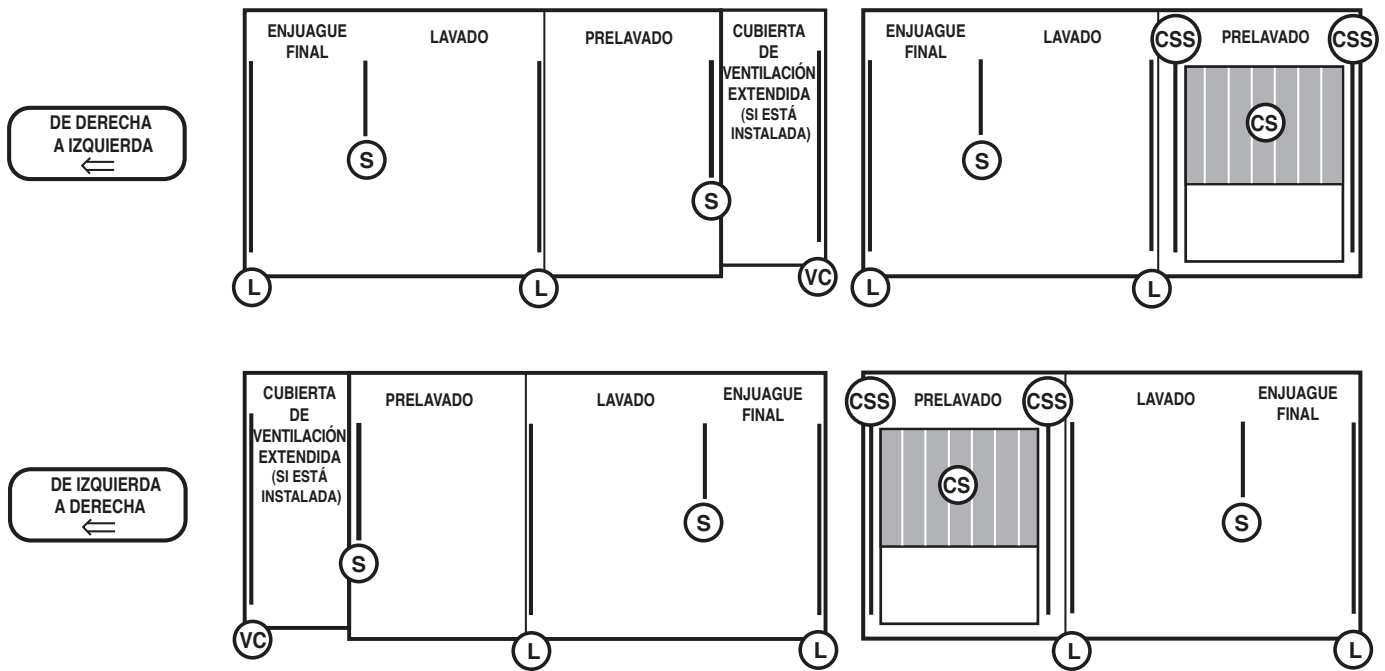


L	919758 STD Largo
L	919975 HTS Largo
S	919509 Corto
CO	936922 Arrastre
M	936428 STD Medio
M	936429 HTS Medio

**Máquinas de tanque individual con prelavado eléctrico (CLPS) o prelavado de esquina (CLCS)**

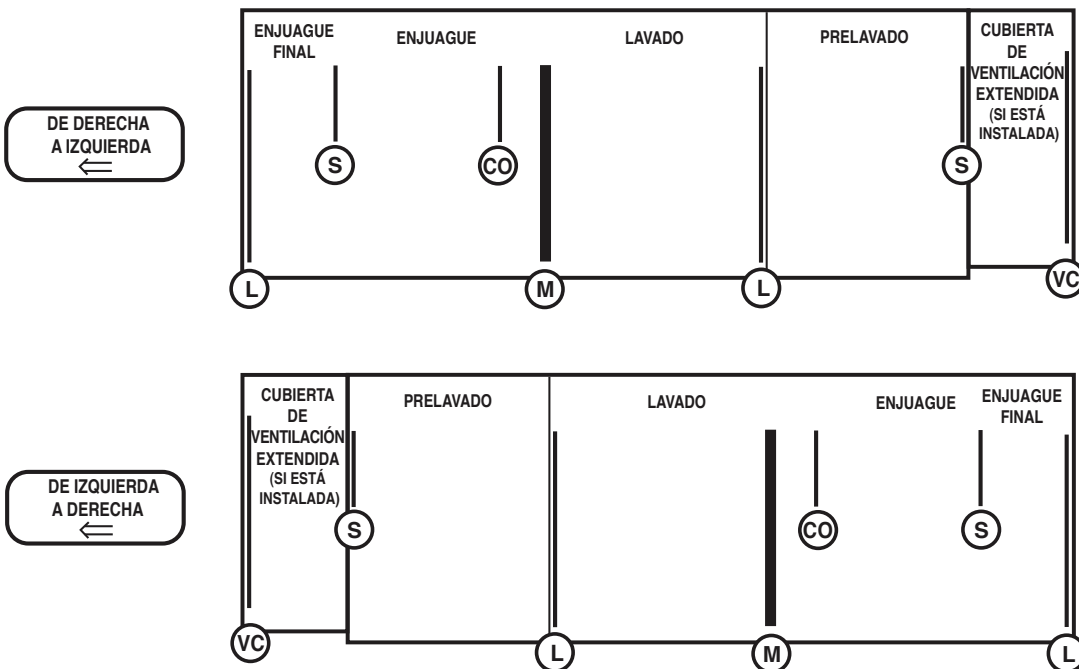
**CLPS66eN, CLPS76eN**  
**CLPS66eN-EGR, CLPS76eN-EGR**  
**CLPS66eN-ADV, CLPS76eN-ADV**

**CLCS66eN, CLCS76eN**  
**CLCS66eN-EGR, CLCS76eN-EGR**



**Máquinas de doble tanque con prelavado eléctrico (CLPS)**

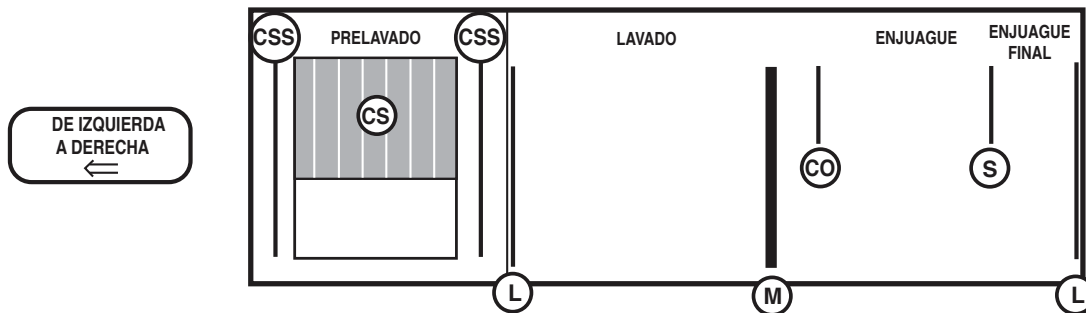
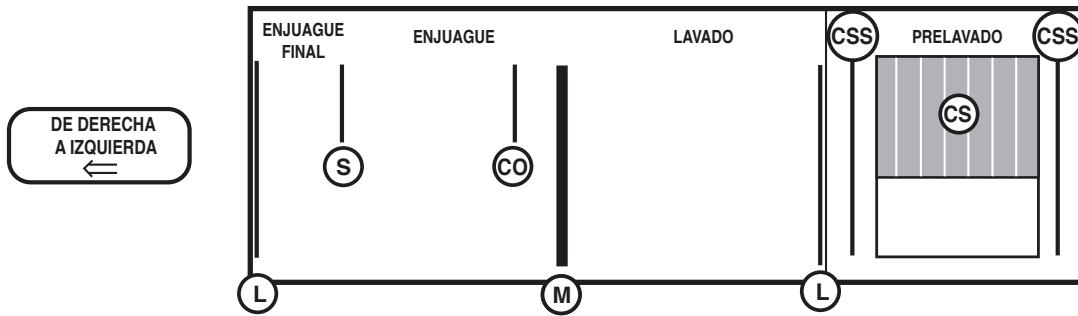
**CLPS86eN-BAS, CLPS86eN-EGR, CLPS86eN-ADV**



L	919758 STD Largo
L	919975 HTS Largo
S	919509 Corto
CO	936922 Arrastre
M	936428 STD Medio
M	936429 HTS Medio
CS	936520 CS
CSS	936931 CS Lateral
VC	941277 Cubierta de ventilación STD
VC	941278 Cubierta de ventilación HTS

## Máquinas de doble tanque con prelavado de esquina (CLCS)

CLCS86eN-BAS, CLCS86eN-EGR

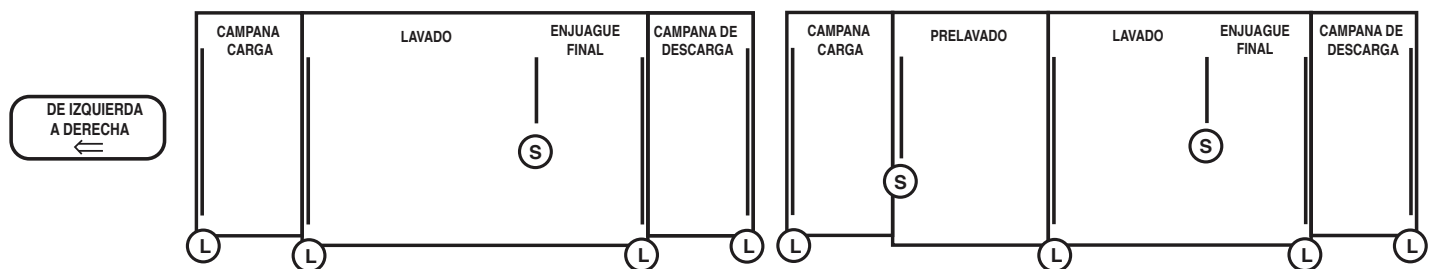
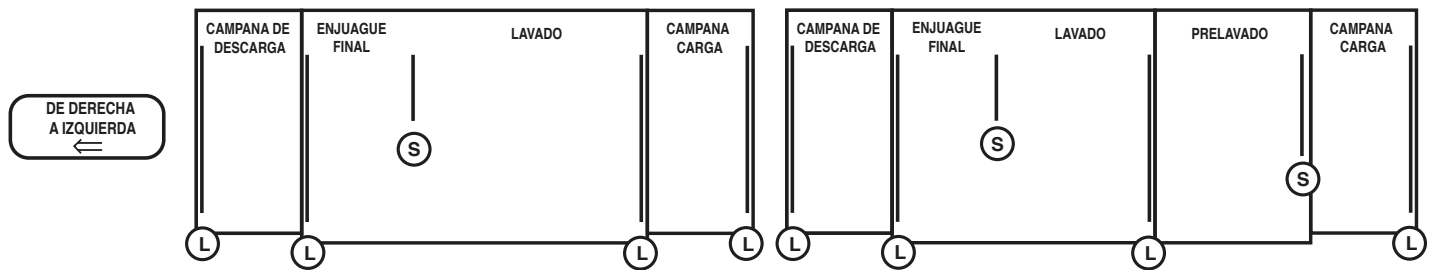


L	919758 STD Largo
L	919975 HTS Largo
S	919509 Corto
CO	936922 Arrastre
M	936428 STD Medio
M	936429 HTS Medio
CS	936520 CS
CSS	936931 CS Lateral

## Máquinas sin ventilación de un solo tanque

CL44eN-VL

CLPS66eN-VL



## TECLADO Y PANTALLA

Los controles se ubican en la parte superior del lavavajillas. El teclado y la pantalla se encuentran al frente de la caja de control (Figura 30).

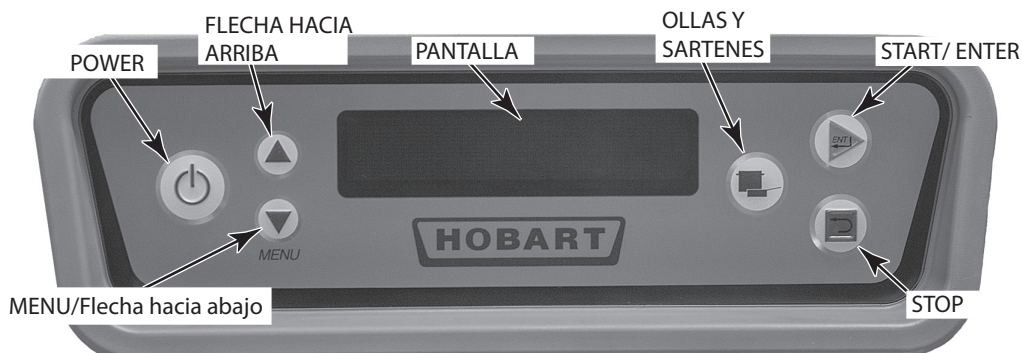


Figura 30

## LLENADO DEL LAVAVAJILLAS

Es necesario abrir todas las válvulas de alimentación de agua y conectar el suministro eléctrico antes de que la máquina comience a funcionar. Asegúrese de haber cumplido con las etapas de "Preparación" e "Instalación de cortinas" (páginas 20 a 24).

Cierre todas las puertas. Para comenzar el llenado una vez que la máquina está lista, presione el botón POWER (Figura 30).

Si la máquina está equipada con un prelavado eléctrico o con uno de esquina, el tanque de prelavado se llenará con agua que rebalsa del tanque de lavado.

## PUESTA EN MARCHA DEL LAVAVAJILLAS CON CALENTAMIENTO A GAS (si así está equipado)

1. **⚠ ADVERTENCIA** Lea la información de seguridad en la página 2 antes de hacer funcionar el lavavajillas.
2. ENCIENDA el suministro principal de gas para el lavavajillas.
3. Espere 5 minutos para que se vacíe cualquier gas presente. Transcurrido este tiempo, si usted aún huele gas, ¡DETENGA EL PROCESO! Siga todas las indicaciones de seguridad contenidas en la página 2 en la sección IMPORTANTE PARA SU SEGURIDAD.
4. Si ya no siente más olor a gas, ABRA la válvula manual correspondiente.
5. Presione el botón POWER en el teclado (Figura 30). El lavavajillas se llenará automáticamente (consulte la sección "Llenado del lavavajillas" en esta misma página). Una vez que el tanque está lleno, se encenderá el quemador si se requiere aplicar calor. El sistema de ignición considera un período de 15 segundos de purga antes de comenzar su labor.
6. Si el lavavajillas no funciona, presione el botón POWER en el teclado (Figura 30) y cierre la válvula manual de gas. Comuníquese con el servicio técnico de Hobart o con el proveedor local de gas.

## TEMPERATURAS MÍNIMAS

La temperatura del agua en los tanques y en los brazos de enjuague se regula por medio de un microprocesador de control. El control viene predeterminado desde la fábrica y no es necesario ajustarlo. Si se requiere hacer un ajuste o si la máquina debe funcionar a baja temperatura con un desinfectante químico, comuníquese con el servicio técnico de Hobart o consulte las instrucciones para hacer la conversión. La pantalla digital verifica la temperatura correcta para el agua durante el funcionamiento.

## Temperaturas mínimas para desinfección a alta temperatura

<b>Modelos con tanque individual</b> CL44eN-BAS, CLPS66eN-BAS, CLCS66eN-BAS CL54eN-BAS, CLPS76eN-BAS, CLCS76eN-BAS, CL44eN-EGR, CLPS66eN-EGR, CLCS66eN-EGR CL54eN-EGR, CLPS76eN-EGR, CLCS76eN-EGR CL44eN-ADV, CLPS66eN-ADV, CL54eN-ADV, CLPS76eN-ADV CL44eN-VL, CLPS66eN-VL	<b>Tanque de lavado</b> 160°F	<b>Tanque de enjuague</b> —	<b>Enjuague final</b> 180°F
<b>Modelos con doble tanque</b> CL64eN-BAS, CLPS86eN-BAS, CLCS86eN-BAS CL64eN-EGR, CLPS86eN-EGR, CLCS86eN-EGR CL64eN-ADV, CLPS86eN-ADV	150°F	160°F	180°F

## Temperaturas mínimas para desinfección química a baja temperatura

<b>Modelos con tanque individual</b> CL44eN-BAS, CLPS66eN-BAS, CLCS66eN-BAS, CL54eN-BAS, CLPS76eN-BAS, CLCS76eN-BAS	<b>Tanque de lavado</b> 130°F	<b>Tanque de enjuague</b> —	<b>Enjuague final</b> 120°F
<b>Modelos con doble tanque</b> CL64eN-BAS, CLPS86eN-BAS, CLCS86eN-BAS	130°F	130°F	120°F

Si el tanque se vacía accidentalmente antes de apagar la corriente eléctrica, el interruptor de seguridad encargado de detectar el bajo nivel de agua por medio de un flotador detendrá de forma automática el calentamiento del tanque. Cuando se restablezca el nivel apropiado de agua, el calentamiento del tanque se reactivará automáticamente. NO use el sistema de protección frente a la escasez de agua como interruptor de encendido y apagado de la corriente eléctrica. Presione el botón POWER en el teclado para apagar la máquina cuando no se esté usando.

## Nombres alternativos para temperatura en pantalla

La siguiente tabla muestra los diversos nombres que pueden aparecer en pantalla relacionados con la temperatura. El nombre largo es equivalente al nombre corto. Los nombres varían según los diferentes modelos.

### NOMBRES ALTERNATIVOS PARA TEMPERATURA EN PANTALLA

Temperatura señalada	Nombre largo	Nombre corto
Tanque con calentamiento eléctrico	Scrapper	PS
Tanque de lavado	Wash	Wsh
Tanque con enjuague eléctrico	Rinse	Rns
Enjuague final	FinalRinse	FnlRns

## Alerta por baja temperatura en el enjuague final (FR)

La pantalla muestra un mensaje indicando que la temperatura en el enjuague final estuvo bajo el mínimo necesario durante un breve tiempo. Esta característica se puede habilitar en el Menú Parámetros en página 36.

## Alerta de temperatura en el tanque

La pantalla muestra un mensaje indicando que algún tanque bajó su temperatura por una cierta cantidad de tiempo. Esta característica se puede habilitar en el Menú Parámetros en página 36.

## LAVADO DE VAJILLA

Una vez que la máquina se ha llenado, haga funcionar las bombas presionando el botón START / ENTER en el teclado (Figura 30) o insertando una canastilla en la máquina.

La máquina funcionará solo si los tanques se han llenado a un nivel adecuado y todas las puertas están cerradas. Presione el botón STOP en el teclado para detener el motor de la cinta transportadora y las bombas.

Elimine cuidadosamente restos de alimentos y desechos de gran tamaño de la vajilla. Nunca use esponjas de lana de acero para prelimpiar los utensilios que van a ser cargados en el lavavajillas.

Coloque los platos en las canastillas. No los amontone uno sobre otro ya que el agua debe escurrir libremente por ambas caras. Coloque los platos y la vajilla de canto (Figura 31). Copas, vasos y recipientes se deben colocar invertidos en una canastilla descubierta (Figura 31) o en una canastilla compartimentada. Los cubiertos y demás piezas pequeñas se esparcen libremente en el fondo de una canastilla descubierta de base plana. Para minimizar las salpicaduras, coloque las bandejas en la canastilla en la misma dirección en que se mueve la cinta transportadora (Figura 31).

NO intente lavar artículos de gran tamaño (cacerolas, sartenes, bandejas, etc.) sin verificar previamente que estos entran por la abertura de la máquina. Esta clase de artículos de gran tamaño no se deben lavar en un lavavajillas, salvo que quepan fácilmente en él

NO permita que objetos extraños ingresen al lavavajillas, especialmente si se trata de contaminantes metálicos.

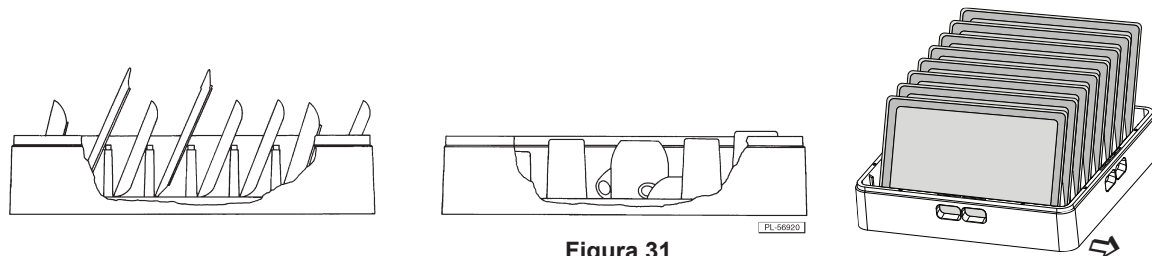


Figura 31

Cuando una rejilla ya esté cargada, deslícela parcialmente dentro de la máquina hasta que las pinzas de la cinta transportadora la atrapen. Comience a cargar otra rejilla cuando la anterior haya atravesado completamente las cortinas. El funcionamiento del lavavajillas es automático. Cuando una canastilla entra en la máquina, las bombas y la cinta transportadora comienzan a trabajar. Cada canastilla se mueve a través del prelavado eléctrico -si existe-, de las zonas de lavado y de enjuague y luego se desliza hacia la mesa para vajilla limpia. La palanca de enjuague se acciona con la misma canastilla cuando esta ingresa a la zona de enjuague; el agua se corta automáticamente si no hay una canastilla presente.

Permita que la vajilla escurra y se seque al aire antes de retirarla de la canastilla.

La opción estándar de detención de la cinta transportadora permite que el operador la detenga para lavar más a fondo la vajilla demasiado sucia durante un tiempo más prolongado. Presione DOWN ARROW (flecha descendente) ubicada en el teclado (Figura 30) hasta que el símbolo '<' se muestre a la izquierda de 'CONVEYOR DWELL' (detención de la cinta). Cuando la canastilla llegue a la cámara de lavado, presione ENTER en el teclado (Figura 30) para detener momentáneamente la cinta transportadora. Para reiniciar el movimiento de la cinta, presione el botón START/ENTER en el teclado (Figura 30). **NOTA:** En todos los modelos CLeN (excepto los modelos VL), la unidad continuará funcionando en modo de espera hasta que se presione la el botón ENTER (Ingresar) o STOP (Detener). En los modelos CLeN-VL, la unidad se detendrá después de 30 minutos de espera.

Si la canastilla se atasca o si la carga es excesiva, un mecanismo de sobrecarga apaga el motor de la cinta transportadora y en la pantalla se lee "Clear Conveyor Jam" (despeje el atasco en la cinta transportadora). Abra las puertas y elimine el atasco. Una vez eliminado, cierre las puertas y pulse el botón START/ENTER en el teclado (Figura 30) para reiniciar el funcionamiento del lavavajillas.

En pantalla aparecen todas las temperaturas del tanque (Figura 30) cuando la máquina está funcionando. La temperatura "Final Rinse" muestra unas rayas ( - - - ) hasta que una canastilla ingresa a la zona de enjuague. Luego se lee "Final Rinse". Una vez que la vajilla abandona la zona de enjuague, Final Rinse vuelve a mostrar - - - .

## Modo ollas y sartenes

La opción ollas y sartenes, estándar en todos los modelos CLeN, permite que el operador lave ollas y sartenes extremadamente sucios haciendo pasar las canastillas por dos zonas de lavado predeterminadas durante cierto tiempo específico. Los tiempos de lavado se pueden ajustar en el "Menú Parámetros" en página 36. Presione el botón POT and PAN (ollas y sartenes) ubicado en el teclado (Figura 26) para ingresar a dicho modo. Inserte la canastilla en el lavavajillas, donde permanecerá por el tiempo predeterminado. Cada rejilla se registrará dos veces a través de la zona de lavado en el tiempo preestablecido. El lavavajillas volverá a su funcionamiento normal al presionar el botón POT and PAN nuevamente, el botón STOP o si finaliza el temporizador automático.

## Sensor opcional para límite de la mesa

Si una canastilla llega al extremo de la mesa de descarga y activa el sensor para límite de la mesa, la cinta transportadora, las bombas y el enjuague final se detienen. La pantalla alterna entre los nombres del tanque y "Unload Dishes" (descargar vajilla). Después de retirar la canastilla y de que el sensor para límite de la mesa se restablece, se reanuda el normal funcionamiento del lavavajillas. **NOTA:** En los modelos CLeN-VL, si la rejilla llega al final de la mesa de descarga y acciona el interruptor de límite de la mesa, la máquina se apagará. La máquina no se reiniciará automáticamente. Debe presionar el botón START (Iniciar) para reiniciar la máquina.

## Temporizador automático

En caso de que no ingrese ninguna canastilla a la máquina por un tiempo preestablecido, el temporizador automático inicia la cuenta regresiva y las bombas y la cinta transportadora se apagan para ahorrar energía. El tanque continúa calentándose y en pantalla se muestran las diversas temperaturas. Para reanudar el funcionamiento, inserte una canastilla o presione el botón START/ENTER en el teclado (Figura 30).

**NOTA:** la configuración para apagar el temporizador automático viene preestablecida de fábrica en 30 segundos. Puede ajustarla desde 30 hasta 180 segundos (en incrementos de 15 segundos), si así lo desea. Consulte el "Menú Parámetros" en página 36.

## Modo de espera

Para los modelos con ventilación, después de 80 minutos de inactividad, los puntos de ajuste del tanque de alta temperatura se reducen aproximadamente 2,22 °C (4 °F). Los puntos de ajuste del tanque de desinfección química se reducen aproximadamente 1,11 °C (2 °F). Una vez que se inicia el ciclo de lavado, los puntos de ajuste del tanque vuelven a la normalidad.

## Modo ahorro de energía

Luego de un período de inactividad de la máquina, el control inicia el modo Ahorro de Energía (ESM): todos los componentes de la lavadora de utensilios se apagan y la pantalla de control se atenúa mostrando la leyenda "Energy Saver Active/Press STOP to Exit" (Modo ahorro de energía activo. Presione STOP para salir). Para salir del modo Ahorro de Energía presione el botón STOP (Figura 30). Puede presionar el botón POWER para apagar completamente la máquina. El tiempo de inactividad de la máquina antes de ESM se puede establecer entre 1 y 6 horas en el "Menú Parámetros". La configuración de fábrica es de 2 horas. Consulte la página 36.

## Modo agua sucia

Se dispone de 3 configuraciones. Consulte el "Menú Parámetros" en página 36.

**Inhabilitado** – no se muestra la alarma. Esta es la configuración de fábrica.

**Solo alerta** – luego de un tiempo de funcionamiento, en pantalla se lee "Water Change Req'd" (cambiar el agua) hasta que esta es efectivamente cambiada. Sin embargo, el control permite el funcionamiento de la máquina. Drene el agua debajo de los flotadores y rellene para eliminar el mensaje.

**Alerta y bloqueo** – después de un tiempo de funcionamiento, en pantalla se lee "Change Water Soon" (cambiar pronto el agua) durante 5 minutos, alertándolo para que efectúe el cambio a la brevedad. Luego se lee "Water Change Req'd" (cambiar el agua) y se impide el funcionamiento de la máquina hasta que los tanques hayan sido secados y rellenos.



# LIMPIEZA

Se debe limpiar minuciosamente la máquina al terminar cada turno de trabajo o, al menos, dos veces al día. Use solo productos formulados para proteger el acero inoxidable. Utilice un paño húmedo y agua tibia con jabón.

1. Presione el botón POWER en el teclado para apagar la máquina (Figura 30).

**▲ ADVERTENCIA** Desconecte la máquina de la corriente eléctrica y siga los procedimientos de bloqueo y etiquetado antes de iniciar la limpieza. Puede haber varios circuitos. Asegúrese de que todos estén desconectados.

2. Abra las puertas. Los interruptores estándar que traban la puerta impiden el funcionamiento de la máquina con las puertas de inspección abiertas.
3. Revise visualmente las boquillas superiores e inferiores para el enjuague final con el objeto de asegurarse de que están libres de desechos.
4. Abra los desagües empujando hacia arriba las palancas respectivas (Figura 32).



Figura 32

5. Retire los brazos de lavado. Retire también sus tapas (Figura 33) y empuje cualquier obstrucción en la boquilla dentro de los brazos de lavado. Drénelos cuidadosamente en un fregadero. Vuelva a colocar las tapas.
6. Antes de retirar los canastos y las bandejas coladoras, limpie cualquier desecho de las paredes de la máquina utilizando una manguera con boquilla pulverizadora. Descargue todos los desechos hacia los coladores.
7. Limpie de desechos el reverso de las puertas, entre las puertas y la cámara y alrededor del sello de la puerta de la cámara. Evite rociar directamente sobre los controles en la parte superior de la unidad.
8. Limpie las mesas vaciando cualquier desecho en el lavavajillas.
9. Retire todas las bandejas y los canastos coladores. Vacíe su contenido dentro de un recipiente o triturador de basura y limpie a fondo las bandejas y los canastos en un fregadero. NO golpee las bandejas ni los canastos coladores sobre objetos sólidos para desprender los desechos. Consulte las Figuras 23 y 26 en página 20.

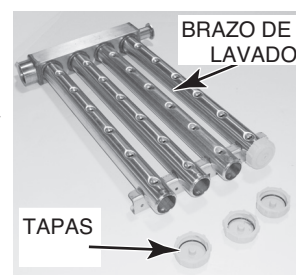


Figura 33

10. Una vez que los tanques estén vacíos, retire el tubo vertical y limpie los coladores de entrada a la bomba ubicados al fondo del tubo vertical o al fondo del tanque (Figuras 21 y 34).
11. Retire las cortinas. Restriéguelas minuciosamente, enjuáguelas y déjelas secar después de cada jornada.
12. Limpie a fondo el interior de la máquina con una manguera provista de una boquilla pulverizadora. Elimine el resto de suciedad con un paño o un cepillo suave y algún producto de limpieza ligero. Desagüe nuevamente con una manguera pulverizadora. No permita que restos de alimento se acumulen en el fondo o en los lados del tanque. **NOTA:** Sólo para los modelos CLeN-VL, pulverice de una manera minuciosa la bobina dentro del tanque para retirar toda la suciedad.



Figura 34

13. En modelos CLeN-ADV, rocíe con agua el receptor del canasto ASR para eliminar cualquier resto de alimento (Figura 35). Lave a fondo el interior del alojamiento del ASR ubicado en la entrada del lavavajillas (Figura 36) con una manguera provista de una boquilla rociadora. Elimine el resto de suciedad con un paño o un cepillo blando y algún detergente suave. Vuelva a lavar con agua y una manguera rociadora. No permita que restos de alimento se acumulen en el fondo o en los lados del alojamiento del ASR.

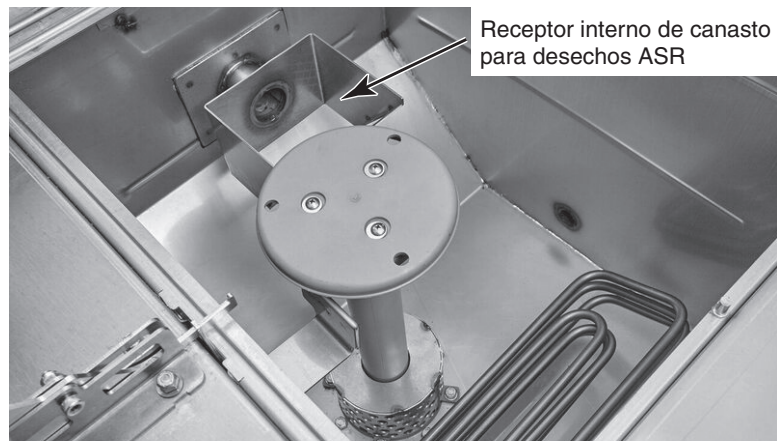


Figura 35



Figura 35

14. Sólo para los modelos CLeN-VL, retire la cubierta del canal de aire levantando las asas (Figura 37) y limpie la suciedad del canal de aire con un cepillo de nylon de mango largo (Figura 38) y vuelva a colocar la cubierta. **NOTA:** No use un cepillo metálico y no use una manguera para rociar el canal.



Figura 37



Figura 38

15. Coloque nuevamente todos los tubos verticales y las bandejas y los canastos coladores en sus respectivas ubicaciones (Figuras 21, 23, 24 y 26) según indica página 20.
16. Inserte los brazos de lavado superiores directamente en el tubo conector. Apoye la extensión sobre la guía. Gire el brazo hacia arriba para bloquearlo.
17. Inserte los brazos de lavado inferiores directamente en el tubo conector. Apoye la extensión sobre la guía. Haga oscilar hacia abajo la parte frontal del brazo hasta nivelarlo totalmente en su posición.
18. Deje las puertas abiertas y retire las cortinas mientras la máquina no se está usando para permitir que el interior se airee y se seque. Instale las cortinas una vez que la máquina se haya secado.
  - **ATENCIÓN** NO intente limpiar las boquillas del enjuague final Opti-Rinse. Dichas boquillas se deben sustituir en caso de obstrucción o si el modelo de pulverizador no es efectivo.
  - Nunca utilice esponjas de lana de acero para limpiar las superficies del lavador de utensilios. Use solo productos formulados para proteger el acero inoxidable.
  - Ensamble nuevamente los tubos verticales y las bandejas y los canastos coladores, según se indica en página 20.
  - Reinstale las cortinas después de que el interior se haya secado. Consulte páginas 21 a 24.

## PROCEDIMIENTO PARA ELIMINAR EL SARRO

Siga estos pasos para eliminar el sarro del lavavajillas.

1. APAGUE el lavavajillas.
2. Desagüe los tanques y retire todos los restos de alimento limpiando los canastos para desechos y las bandejas coladoras. Lave el interior del lavavajillas con una manguera.
3. Inhabilite el sistema químico del alimentador de detergente de acuerdo con las indicaciones del fabricante. Esto impedirá que se agregue detergente durante el proceso de eliminación de sarro.
4. Instale nuevamente las bandejas coladoras y los canastos para desechos y cierre las puertas de los tanques de desagüe.
5. ENCIENDA el lavavajillas para que se llene con agua limpia.
6. Una vez que el ciclo de llenado termina, abra las puertas y vierta la cantidad necesaria de producto antisarro en cada tanque de acuerdo con las indicaciones del fabricante en cuanto al uso del equipo de protección personal (PPE).
7. Cierre las puertas y ponga en funcionamiento el lavavajillas.
8. Presione DOWNARROW (flecha descendente) ubicada en el teclado (Figura 30) hasta que el símbolo '<' se muestre a la izquierda de 'CONVEYOR DWELL' (detención de la cinta). Presione ENTER en el teclado (Figura 30) para detener la cinta transportadora y permitir que las bombas funcionen por 30 minutos.
9. Transcurrido ese tiempo, presione STOP en el teclado para detener el lavavajillas. **NOTA:** Las máquinas sin ventilación se apagarán automáticamente después de 30 minutos y volverán al modo de espera.
10. Abra las puertas y revise el interior para descartar la presencia de residuos de sarro. Si aún quedan restos, cierre las puertas y haga funcionar el lavavajillas por un período de tiempo más largo usando la opción CONVEYOR DWELL tal como se describe en el paso 8. El lavavajillas requerirá un tiempo de funcionamiento más largo o un ajuste en la cantidad de producto antisarro utilizado dependiendo de la dureza del agua y del tiempo transcurrido entre los ciclos de eliminación de sarro.
11. APAGUE el lavavajillas y desagüe los tanques.
12. Rocíe minuciosamente el interior del lavavajillas con agua para eliminar por el desagüe los residuos de producto antisarro.
13. Cierre el desagüe de los tanques y ENCIENDA el lavavajillas para que se llene con agua limpia.
14. Una vez que el ciclo de llenado ha finalizado, haga funcionar el lavavajillas accionando las bombas durante algunos minutos para lavar y eliminar cualquier resto de producto antisarro del sistema.
15. APAGUE el lavavajillas y desagüe todos los tanques.
16. Siga las indicaciones del fabricante para activar el sistema químico del alimentador de detergente.
17. Ahora la unidad se encuentra lista para operar de manera normal.

Ciertas áreas del lavavajillas -por ejemplo, la zona del enjuague final- aún pueden mostrar restos de sarro debido a que no están sometidas al agua que circula con producto antisarro. Estas áreas necesitarán limpieza manual para eliminarlo, según como se indica a continuación. **NO rocíe producto antisarro sobre las superficies exteriores del lavavajillas, pues podría producir corrosión. Si la solución antisarro entra en contacto con la superficie externa del lavavajillas, lave con agua y limpie con un paño. Use siempre el equipo de protección personal (PPE) adecuado cuando utilice producto antisarro, según las recomendaciones del fabricante de productos químicos.**

1. Prepare una mezcla de producto antisarro y agua y viértala o cepíllela sobre la superficie que va a limpiar, siguiendo las indicaciones del fabricante.
2. Deje reposar por 10 minutos. Si es necesario, restriegue para eliminar los depósitos de sarro adheridos.
3. Enjuague a fondo con agua limpia.

### **Borrar mensaje "Delime Recommended" (se recomienda eliminar sarro)**

Siga estos pasos para borrar el mensaje 'Delime Recommended'.

1. Ingrese al modo Programación Manager. Revise la sección PROGRAMACIÓN de este manual para acceder a Programación Manager. Consulte página 33.
2. Cuando ingrese al menú Programación Manager, presione DOWN ARROW (flecha descendente) hasta que aparezca el mensaje "Clear Delime" en pantalla.
3. Presione ENTER para borrar el mensaje. La pantalla regresará al modo inactivo. Ahora la unidad se encuentra lista para operar de manera normal.

## **QUÉ HACER Y QUÉ NO HACER CON SU NUEVA LAVADORA DE UTENSILIOS HOBART**

**ASEGURE** una dureza apropiada para el agua de 3 granos por galón o menos.

**RASPE ENJUAGUE** la vajilla a fondo antes de lavarla.

**USE** solo detergentes recomendados por un profesional del área química.

**LIMPIE** estrictamente el programa de eliminación de sarro prescrito por el profesional del área química.

**SIGA** closely follow your chemical professional's prescribed deliming schedule.

**USE** solo productos formulados para proteger el acero inoxidable.

**NO** utilice detergentes formulados para lavavajillas de uso doméstico.

**NO** permita que restos de alimento se acumulen al fondo del tanque, en sus paredes o en el sello de la puerta.

**NO** exceda las concentraciones recomendadas por el fabricante respecto al detergente, al desinfectante, al agente de enjuague y al removedor de incrustaciones de sarro.

**NO** use esponjas de lana de acero para limpiar los utensilios o las superficies de la lavadora.

**NO** permita que ingresen objetos extraños a la unidad, especialmente contaminantes metálicos.

**NOTA:** Si no sigue las instrucciones de uso, cuidado y mantenimiento, la garantía de su lavadora de utensilios Hobart podría invalidarse.

# PROGRAMACIÓN

## NIVELES DE SEGURIDAD PARA LA PROGRAMACIÓN

El microprocesador del lavavajillas cuenta con opciones personalizadas para la limpieza de sus utensilios, las temperaturas de mantención que requiere el tanque y otras operaciones relacionadas con el funcionamiento de su cocina. Para activar o modificar estas características se debe ingresar al nivel apropiado en el modo editar programación.

Se recomienda configurar la lavadora de utensilios en el nivel más bajo de seguridad para impedir que las opciones se modifiquen respecto a lo que se espera o recomienda. El nivel de seguridad volverá automáticamente a Operator cuando ocurra alguna de las siguientes situaciones:

1. No se presione ningún botón en el teclado durante 10 minutos o más.
2. La máquina entre en tiempo de espera al presionar el botón POWER.
3. Se ingrese un código de seguridad inválido en la pantalla "Enter Security Code."

Los nombres y las descripciones de los niveles de seguridad se detallan desde el más bajo al más alto.

**NOTA:** La letra a la derecha del nombre es la misma que aparece en la esquina inferior izquierda de la pantalla "Enter Security Code?": O ó M. Consulte "Menú para ingreso de parámetros" en página 35 para más información.

**NOTA:** El nivel de seguridad no afecta directamente el funcionamiento de la máquina ni impide el uso de los botones START, STOP o POWER. Todas estas funciones básicas están siempre disponibles en cualquier nivel de seguridad.

### Operator – O

El nivel Operator es el nivel de seguridad más básico. Corresponde al nivel predeterminado al encender la máquina. No se requiere código de seguridad para ingresar al nivel de seguridad Operator. A partir de este nivel se puede ingresar un código de seguridad para elevar el nivel.

### Manager – M

El nivel Manager es el más alto al que puede acceder el usuario. Requiere ingresar el código Manager para acceder a él.

El nivel de seguridad Manager permite el acceso a todas las opciones detalladas en el menú de Parámetros (Tabla 1) o en el menú Configurar el menú de comunicaciones (Tabla 2). Se recomienda que la corriente eléctrica de la máquina se alterne encendiéndola y apagándola después de que cualquier opción del nivel Manager haya sido modificada y guardada.

El código de seguridad para el nivel Manager puede ser cambiado por un administrador de cocina o por cualquier persona que posea dicho código. El código predeterminado es 1001. Se recomienda cambiarlo y guardar el nuevo código en un lugar seguro. Si el código Manager se pierde o se olvida solo podrá ser restablecido por el servicio técnico de Hobart.

**NOTA:** El restablecimiento del código Manager no está cubierto por las garantías básica o extendida.

## PROGRAMACIÓN DE LAS INSTRUCCIONES

Todas las modificaciones se realizan a través del menú en pantalla usando los botones Flecha ascendente, MENÚ/Flecha descendente y START/Enter ubicados en el teclado en la parte superior del lavavajillas (Figura 39).

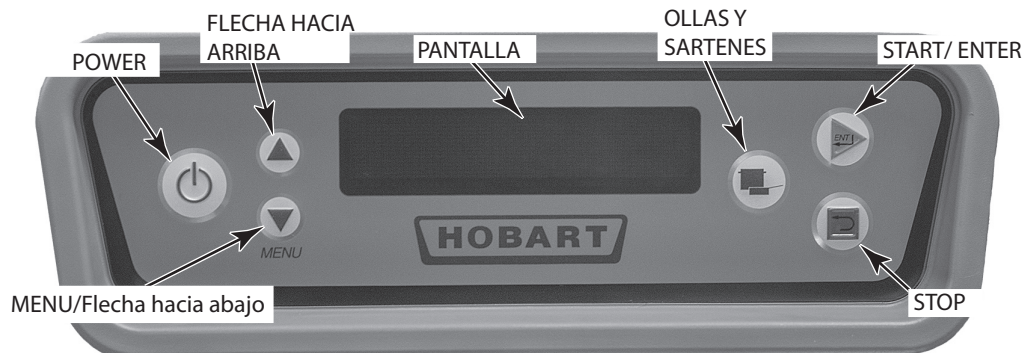


Figura 39

### Indicadores en el menú de pantalla

Los siguientes indicadores se usan dentro del menú:

- Los botones flecha hacia arriba y MENU/Flecha hacia abajo se usan para cambiar el valor de los parámetros y navegar por el menú.
- El botón START/ENTER se usa para aceptar un valor, realizar una acción específica o ingresar un submenú. Si se presiona esta opción mientras se está en el menú no se dará inicio al trabajo de la cinta transportadora ni de las bombas, si es que ya no están en funcionamiento. Para iniciar la operación del lavavajillas mientras se edita el menú, introduzca una canastilla en la máquina o salga del menú antes de presionar el botón START/ENTER.
- El botón STOP siempre cancelará cualquier acción, descartará todo cambio efectuado que no haya sido guardado, volverá el sistema a la pantalla principal y detendrá la máquina.
- El texto que se encuentra inmediatamente a la derecha o a la izquierda del ícono circular (●) muestra la acción que se pondrá en marcha si se presiona el botón START/ENTER.
- El ícono de la flecha hacia arriba o hacia abajo muestra la línea o valor que cambiará si se selecciona alguna de dichas opciones.
  - Un par de flechas rellenas en la segunda línea (◆) indica que el valor mostrado en pantalla es el que se ha almacenado en el control.
  - Un par de flechas sin rellenas en la segunda línea (◇) indica que el valor se ha cambiado pero que aún no ha sido guardado.

## Menú para ingreso de parámetros

Se puede ingresar al menú de Parámetros para modificar las opciones personales en cualquier momento, tanto con la máquina funcionando como detenida.

Para acceder al menú de Parámetros primero debe ingresar el código de seguridad:

PASO 1. Presione el botón MENU/Flecha hacia abajo en la pantalla principal.

PASO 2. Verá un aviso en pantalla preguntándole si desea salir del menú. No presione START/ENTER porque volverá a la pantalla principal que muestra el nombre y la temperatura de los tanques. Presione el botón MENU/Flecha hacia abajo para continuar.

	Mensaje en pantalla	Opción a seleccionar	Función
1.	[Nombre del tanque] [Temperaturas del tanque ]	MENU / FLECHA HACIA ABAJO ↓	
2.	Exit to Main ? Yes	MENU / FLECHA HACIA ABAJO ↓	
3.	Enter Security Code? O Yes	START / ENTER	Responda Yes
4.	Security Code: 0***	Flecha hacia arriba	Cambie 0 por 1
5.	Security Code: 1***	START / ENTER	Pase al dígito siguiente
6.	Security Code: *0**	START / ENTER	Pase al dígito siguiente
7.	Security Code: **0*	START / ENTER	Pase al dígito siguiente
8.	Security Code: ***0	Up Arrow	Cambie 0 por 1
9.	Security Code: ***1	START / ENTER	Acepte 1001
10.	Enter Security Code? M Yes	MENU / Flecha hacia abajo	La letra inferior izquierda debe ser 'M'.
11.	Edit Parameters? Yes	START / ENTER	
12.	Ciclo ollas y sartenes 30 segundos		Este es el primer parámetro

PASO 3. Usted se encuentra en la pantalla "Enter Security Code?" (¿ingresar código de seguridad?). Presione el botón START/ENTER para indicar que desea ingresar el código.

PASOS 4 al 10. El aviso "Security Code" (código de seguridad) se muestra en la línea superior y en la línea inferior aparece un dígito único y tres asteriscos [0\*\*\*]. Use los botones Flecha hacia arriba y MENU/Flecha hacia abajo para cambiar el código de seguridad a un valor apropiado. El código predeterminado para ingresar al nivel Manager es 1001.

Se recomienda cambiarlo. Cualquier persona con acceso al menú de Parámetros puede hacerlo. Si el código se pierde u olvida, puede ser restablecido por el servicio técnico de Hobart, aunque tal labor no está cubierta por las garantías básica o extendida.

Luego de presionar START/ENTER en el cuarto dígito (PASO 9), el aviso "Enter Security Code?" (¿ingresar código de seguridad?) vuelve a aparecer en la primera línea de la pantalla (PASO 10). Si ve una letra "M" en la esquina inferior izquierda de la pantalla significa que ingresó correctamente al nivel de seguridad Manager. Si la letra "M" no aparece, repita los pasos 3 al 10.

PASO 11. Presione START/ENTER para ingresar al menú de Parámetros.

## Navegación por el menú de Parámetros

Si se muestra el Ciclo ollas y sartenes (PASO 12), usted se encuentra en el menú de Parámetros. En pantalla aparece el primer parámetro editable. Puede usar los botones Flecha hacia arriba y MENU/Flecha hacia abajo para explorar el menú de Parámetros.

Si presiona el botón START/ENTER puede ingresar el parámetro y modificar la configuración.

Para obtener un listado de opciones de parámetros, consulte el "Menú Parámetros" (Tabla 1 en la página 36).

**MENÚ DE PARÁMETROS — TABLA 1**

<b>Nombre del parámetro</b>	<b>Descripción</b>	<b>Valores posibles</b>	<b>Valor predeterminado</b>
Ciclo ollas y sartenes	Establece el tiempo, en segundos, en que el ciclo de lavado se detendrá para permitir una limpieza adicional de la vajilla. El ciclo permanece activo hasta que se inhabilita o hasta que se activa la pausa automática del lavavajillas.	30 a 90 segundos (con incrementos de 5 segundos)	30 segundos
Sanitization Mode (modo desinfección)	Establece las temperaturas de funcionamiento que regulan los calentadores del tanque y el sobrecalentador interno (si se incluye): modo desinfección a alta temperatura o modo desinfección químico a baja temperatura.	Alta temperatura o Baja temperatura.	Alta temperatura
Auto-Timeout (temporizador automático)	Las bombas y la cinta transportadora se apagan después de este período de inactividad para ahorrar energía. Consulte la página 28.	30 a 180 (en incrementos de 15 segundos)	30 segundos
Low FR Temp Alert (alerta por baja temperatura en enjuague final)	Habilita o inhabilita una alerta visible en la pantalla indicando que la temperatura del agua en el enjuague final se encuentra bajo el mínimo requerido de 180° F (82° C). En caso de permitirlo, se mostrará un mensaje notificando esta condición al usuario. Sin embargo, el funcionamiento del lavavajillas no se alterará y los utensilios continuarán su recorrido por el interior de la máquina, según lo esperado. Cuando la temperatura supere el mínimo exigido el mensaje desaparecerá. Si la alerta se inhabilita, no aparecerán mensajes que indiquen la presencia de bajas temperaturas. De cualquier modo, la pantalla mostrará la temperatura actual del agua de enjuague final. Consulte la página 26.	Inhabilitado o habilitado	Inhabilitado
Tank Temp Alert (alerta de temperatura del tanque)	Muestra un mensaje que indica que la temperatura del agua de un tanque en particular se encuentra bajo la mínima requerida. Cuando la temperatura supere el mínimo exigido el mensaje desaparecerá. Consulte la página 26.	Inhabilitado o habilitado	Inhabilitado
Dureza del agua	Determina la dureza, en granos por galón, del agua entrante para establecer cuándo el lavavajillas necesitará eliminar el sarro.	0 a 1000 granos (con incrementos de 1 grano)	0 granos
Dirty Water Mode (modo agua sucia)	<u>Inhabilitado</u> : Ignora el agua sucia. <u>Solo alerta</u> : Muestra "Water Change Req'd" (cambiar el agua) después de un tiempo de funcionamiento pero no es preciso rellenar. <u>Alerta y bloqueo</u> : muestra durante 5 minutos "Change Water Soon" (cambiar el agua pronto) después de un tiempo de funcionamiento. Luego muestra "Water Change Req'd" (cambiar el agua) y la máquina no puede funcionar hasta que los tanques hayan sido secados y rellenados. Consulte la página 28.	Inhabilitado, Solo alerta o Alerta y bloqueo	Inhabilitado
Dirty Water Time (intervalo de agua sucia)	Establece el tiempo (en horas) de enjuague antes de mostrar una alerta. Esta opción solo está disponible cuando el modo Agua Sucia ha sido establecido en "Solo alerta" o "Alerta y bloqueo".	1 a 6	4
Energy Saver Time (modo ahorro de energía)	Modo ahorro de energía comienza después de un período de inactividad de la máquina. La flecha hacia arriba lo incrementa en 1 hora. La flecha hacia abajo lo disminuye en 1 hora. Consulte la página 28.	1, 2, 3, 4, 5, 6	2
Change Mgr Code (cambiar el código para Manager)	Establece un nuevo código de seguridad para acceder a los parámetros del nivel Manager. Se recomienda cambiar el código predeterminado y guardar el nuevo código en un lugar donde todos los administradores de cocina tengan acceso a él, no así los operadores.	0000 a 8888	1001
Save Settings and Exit? (¿guardar configuración y salir?)	Presione START/ENTER para guardar las configuraciones cambiadas, salga del menú de Parámetros y vuelva a la pantalla principal. Cualquier configuración que haya sido cambiada se guarda y la mayoría se activa de inmediato. Si una o más configuraciones no se activan de inmediato aparecerá un mensaje indicando que necesita apagar y luego encender la corriente eléctrica para activarlas.		
Cancel Settings and Exit? (¿cancelar la configuración y salir?)	Presione START/ENTER para salir del menú de parámetros y volver a la pantalla principal. Cualquier configuración que haya sido cambiada se cancelará y volverá a los valores guardados previamente.		



# MANTENIMIENTO

**⚠ ADVERTENCIA** Desconecte la máquina de la corriente eléctrica y siga los procedimientos de bloqueo y etiquetado. Puede haber varios circuitos. Asegúrese de que todos estén desconectados.

## VENTILACIÓN

Cuando el lavavajillas esté frío, revise el sistema de ventilación para evitar obstrucciones. Hágalo cada seis meses.

## LUBRICACIÓN

No se necesita.

## SERVICIO TÉCNICO

Comuníquese con el servicio técnico local de Hobart en caso de necesitar reparaciones o ajustes para el equipo. El reemplazo de algún accesorio para la conexión del gas debe ser hecho por personal calificado del servicio técnico. Los contratos de servicio a largo plazo están disponibles para este y otros productos Hobart.

# SOLUCIÓN DE PROBLEMAS

SÍNTOMA	POSIBLE CAUSA
Máquina no funciona.	<ol style="list-style-type: none"> <li>1. Fusible quemado o interruptor de corriente activado en el suministro eléctrico.</li> <li>2. Inspection door(s) not closed.</li> <li>3. Cinta transportadora atascada.</li> <li>4. El temporizador automático se ha apagado. Presione START o inserte una rejilla.</li> <li>5. Si está usando un sensor para fin de carrera de la mesa, este puede haberse activado.</li> <li>6. La máquina está en modo Ahorro de Energía. Presione STOP en el teclado para reanudar el proceso.</li> </ol>
Vajilla no queda limpia	<ol style="list-style-type: none"> <li>1. Agua de lavado insuficiente. Obstrucción en desagüe produce estado de drenaje abierto. O-ring defectuoso o dañado permite que el agua del lavado se drene.</li> <li>2. Tapa ausente en el brazo de lavado.</li> <li>3. Obstrucción en la boquilla del brazo de lavado.</li> <li>4. O-ring del colector desgastado o dañado permite que el agua del lavado se drene.</li> <li>5. Pérdida de presión de agua debido a obstrucciones en la bomba.</li> <li>6. <b>⚠ ADVERTENCIA</b> <b>Desconecte la máquina de la corriente eléctrica y siga los procedimientos de bloqueo y etiquetado. Puede haber varios circuitos. Asegúrese de que todos estén desconectados.</b> Drene los tanques y revise si hay obstrucciones en la entrada a la bomba.</li> <li>7. Temperatura del agua incorrecta. Revise posibles interrupciones en el suministro eléctrico de calor, en la válvula principal de vapor o en la válvula de suministro de gas. Asegúrese de que la válvula esté totalmente abierta.</li> <li>8. Suministro de detergente incorrecto. Contacte a su representante de ventas de detergentes.</li> <li>9. Las bandejas o las cubetas coladoras necesitan vaciarse y limpiarse.</li> <li>10. Tal vez los tanques requieren ser drenados y llenados con agua limpia.</li> </ol>
Válvula gotea.	<ol style="list-style-type: none"> <li>1. Material extraño que impide el funcionamiento adecuado de la válvula. El momento más delicado se produce inmediatamente después de la instalación, cuando algún compuesto de la tubería o virutas de metal se puedan haber alojado en el asiento de la válvula. Si el problema es con un solenoide, se recomienda que se comunique con el servicio técnico local de Hobart.</li> </ol>
Manchas en cubiertos, vasos y platos.	<ol style="list-style-type: none"> <li>1. Canastillas cargadas de forma incorrecta.</li> <li>2. Temperatura incorrecta en enjuague final (180° F o 120° F mínimo; 82°C o 49°C) Véase página 26.</li> <li>3. Pérdida de presión de agua debido a obstrucciones en la bomba. <b>⚠ ADVERTENCIA</b> <b>Desconecte la máquina de la corriente eléctrica y siga los procedimientos de bloqueo y etiquetado. Puede haber varios circuitos. Asegúrese de que todos estén desconectados.</b> Drene los tanques y revise si hay obstrucciones en la entrada a la bomba.</li> <li>4. Boquillas del brazo de lavado obstruidas.</li> <li>5. Dureza inapropiada del agua (se recomienda 3 granos por galón o menos).</li> <li>6. Detergente incorrecto para el tipo de agua. Contacte al proveedor de productos químicos.</li> <li>7. Boquillas de enjuague bloqueadas.</li> <li>8. Problemas con el dispensador del agente de enjuague. Contacte al proveedor de productos químicos.</li> </ol>
Temperatura baja en el enjuague final con sobrecalentador incorporado.	<ol style="list-style-type: none"> <li>1. Flotador del tanque no se mantiene en la superficie permitiendo que el calor se encienda o el flotador no funciona adecuadamente.</li> <li>2. Protector de exceso de temperatura activado. Contacte al servicio técnico de Hobart.</li> <li>3. Interruptor de corriente activado en el sistema de calefacción.</li> <li>4. Agua entrante bajo la temperatura mínima.</li> <li>5. Si el sistema de control de temperatura necesita ajustes o si un sobrecalentador está fallando, comuníquese con el servicio técnico de Hobart.</li> </ol>

**NOTA:** Los síntomas persisten aún después de resolver las posibles causas, contacte al servicio técnico de Hobart.

SÍNTOMA	POSIBLE CAUSA
Enjuague inadecuado.	<ol style="list-style-type: none"> <li>1. Colador de la línea sucio (Figura 40) produce un flujo de agua reducido. Corte el suministro de agua y retire la tapa y la malla del colador. Limpie la malla. Ensamble nuevamente.</li> <li>2. Baja presión en la línea de suministro o colador del brazo de enjuague en línea sucio.</li> <li>3. Boquillas de enjuague bloqueadas.</li> </ol> <p><b>NOTA:</b> El modelo CLeN-EGR y CLeN-ADV posee dos líneas de enjuague final suministro.</p>
Enjuague continuo	<ol style="list-style-type: none"> <li>1. Accionador de enjuague (Figura 41) no se desplaza libremente. <ul style="list-style-type: none"> <li><b>⚠ ADVERTENCIA</b> Desconecte la máquina de la corriente eléctrica y siga los procedimientos de bloqueo y etiquetado. Puede haber varios circuitos. Asegúrese de que todos estén desconectados. Revise el accionador para que se mueva libremente.</li> </ul> </li> <li>2. Observe si hay objetos extraños en el mecanismo, por ejemplo, cubiertos.</li> <li>3. Válvula de enjuague con fallas o atorada se encuentra abierta.</li> <li>4. Tubos verticales no se han colocado adecuadamente; drenaje y llenado continúan funcionando.</li> </ol>
Tanque de lavado no se calienta. Tanques sin calentamiento.	<ol style="list-style-type: none"> <li>1. La máquina está equipada con dispositivos de seguridad en caso de escasez de agua, los que apagan el sistema de calentamiento si el nivel de agua desciende. Verifique si el nivel de agua es el apropiado.</li> <li>2. Interruptor de corriente activado en el sistema de calentamiento eléctrico.</li> <li>3. Revise el flotador de calentamiento en caso de desechos y compruebe si se mueve libremente.</li> <li>4. Protector ante exceso de temperatura activado o elemento de calentamiento dañado (calentamiento eléctrico). Contacte al servicio técnico de Hobart.</li> <li>5. La válvula principal de suministro de gas está cerrada (calentamiento a gas).</li> <li>6. Asegúrese de que todos los tubos verticales están ubicados correctamente.</li> <li>7. Las válvulas de alimentación de vapor no están completamente abiertas o la presión de suministro es demasiado baja (calentamiento por vapor).</li> <li>8. La trampa en la cubeta no funciona correctamente (calentamiento a vapor).</li> <li>9. Solenoide de funcionamiento a vapor inapropiado (calentamiento a vapor).</li> </ol>
No llena o llena muy lento.	<ol style="list-style-type: none"> <li>1. Las puertas están abiertas.</li> <li>2. Fuente de relleno principal (válvula de alimentación de agua) podría estar cerrada.</li> <li>3. Flotadores de relleno superiores o inferiores no se mueven libremente.</li> <li>4. Colador de línea sucio (Figura 40) produce un flujo de agua reducido. Apague el suministro de agua, retire la cubierta del colador y saque las mallas para limpiarlas. Ensamble nuevamente.</li> <li>5. Problemas con el solenoide.</li> <li>6. Baja presión en suministro de agua entrante.</li> <li>7. Desagües abiertos.</li> <li>8. Tubos verticales instalados incorrectamente o ubicados en el tanque equivocado.</li> </ol>
Interruptor de vacío gotea.	<ol style="list-style-type: none"> <li>1. Algún material extraño o corrosión podrían estar impidiendo el funcionamiento apropiado de la válvula. Apague todas las líneas de suministro de agua entrante. Desatornille y levante el bonete del cuerpo de la válvula. Límpiela y ensamble nuevamente.</li> </ol>
Vapor en exceso.	<ol style="list-style-type: none"> <li>1. Los reguladores de la chimenea de ventilación no han sido ajustados apropiadamente.</li> </ol>

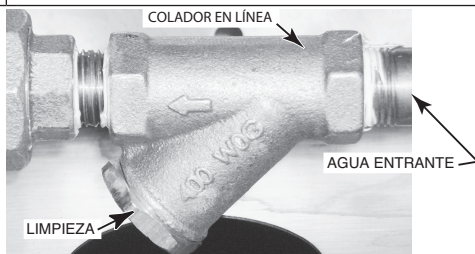


Figura 40

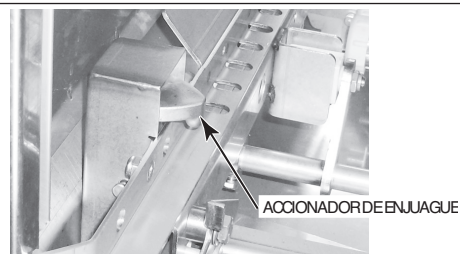


Figura 41

**NOTA:** Si los síntomas persisten aún después de resolver las posibles causas, contacte al servicio técnico local de Hobart.

LECTURA EN PANTALLA	POSIBLE SOLUCIÓN
Door(s) Open (puertas abiertas)	Cierre todas las puertas de inspección.
Unload Dishes (descargar vajilla)	Retire la canastilla conectada al sensor para límite carrera de la mesa cuando llegue al final de la mesa para vajilla limpia (fin de descarga).
Clear Conveyor Jam (despejar atasco en cinta transportadora)	Despeje el atasco. Retire la canastilla de la máquina. Presione START y vuelva a insertar la canastilla.
Probe Err - [ nombre del tanque ]	Asegúrese de que el ensamblaje del flotador inferior en el tanque en cuestión no esté visiblemente dañado y que contenga agua suficiente para cubrirlo.
Fnl Rinse Temp Low (baja temperatura en enjuague final)	<ol style="list-style-type: none"> <li>1. Revise que el interruptor en el tanque con sobrecalentador para el enjuague final está abierto y no activado (si viene incluido).</li> <li>2. Verifique que el circuito de exceso de temperatura en el tanque con sobrecalentador para enjuague final no está activado (si viene incluido).</li> <li>3. Asegúrese de que el agua suministrada al lavavajillas o al tanque sobrecalentador para el enjuague final se encuentra a la temperatura mínima especificada.</li> </ol>
Probe Error - FnlRns	Compruebe si está abierta la válvula del agua de alimentación para el sobrecalentador del enjuague final.
Check Water Level (revisar nivel de agua)	<ol style="list-style-type: none"> <li>1. Revise que todos los desagües estén cerrados y libres de desechos.</li> <li>2. Verifique que la válvula de alimentación de agua está abierta.</li> <li>3. Abra las puertas de inspección y revise el nivel de agua de todos los tanques. El agua debe estar alrededor de 1 pulgada (2,54 cm) o más por debajo del borde superior de la bandeja coladora.</li> <li>4. Si los tanques no se llenan después de los siguientes 20 minutos, comuníquese con el servicio técnico de Hobart.</li> </ol>
Reset Required (reiniciar)	Coloque la máquina en estado de espera presionando el botón POWER. Espere al menos 60 segundos antes de conectarla.
Delime Recommended (se sugiere eliminar sarro)	Inspeccione el interior de la máquina para buscar depósitos de sarro. Consulte en "Recomendaciones para eliminar el sarro" de página 31.
Change Water Soon (cambiar el agua pronto)	Cambie el agua a la mayor brevedad posible para obtener una mejor capacidad de lavado.
Water Change Req'd (cambiar el agua)	Drene todos los tanques y rellene la máquina.
Energy Save Active Press STOP to Exit (ahorro de energía activado; presione STOP para salir)	Debido a la inactividad, la máquina se encuentra en modo detenido y el calentamiento se ha apagado. Presione el botón STOP para reanudar el funcionamiento normal. Controle las temperaturas al reanudar la operación.
Apagado sin ventilación (sólo modelos CLeN-VL)	<ol style="list-style-type: none"> <li>1. Asegúrese de que todas las cortinas estén en su lugar.</li> <li>2. Asegúrese de que el canal de aire esté libre de suciedad.</li> <li>3. Asegúrese de que la bobina del tanque de lavado esté libre de incrustaciones y suciedad.</li> <li>4. Apague la máquina. Espere un minuto. Encienda la máquina.</li> </ol>
Refrigerante sin ventilación Lo (Bajo) (sólo modelos CLeN-VL)	Contacte el servicio de Hobart.

**NOTA:** Si los síntomas persisten aún después de resolver las posibles causas, contacte al servicio técnico local de Hobart.







