

**HOBART**701 S Ridge Avenue, Troy, OH 45374  
1-888-4HOBART • www.hobartcorp.com**HCM62 BOWL-STYLE  
FOOD PROCESSOR****HOBART****STANDARD FEATURES**

- 2.0 H.P. Direct Drive Motor
- Patented Bowl Scraper and Integrated Lid Wiping System
- Durable Xylex Cover with Bowl Gasket
- Hobart COOLCUTTER Knives
- Knife Speeds of 1500 RPM and 3000 RPM
- Triple Safety Interlock
- User-Friendly Controls
- Compact Design
- Anodized Aluminum Base with Powdercoated Top Cover

**MODEL**

- HCM62 – Hobart 6 Quart, Two Speed Bowl-Style Food Processor

Specifications, Details and Dimensions on Inside and Back.

**HCM62 BOWL-STYLE FOOD PROCESSOR**

# HCM62 BOWL-STYLE FOOD PROCESSOR

**HOBART**

701 S Ridge Avenue, Troy, OH 45374  
1-888-4HOBART • www.hobartcorp.com

## SOLUTIONS/BENEFITS

### Direct Drive Motor

#### Durability

- 2.0 H.P., 6.0/5.0 rated amps, direct driven.
- Prevents stalling and slipping.

### Patented Bowl-Scraper and Integrated Lid Wiping System

#### Labor savings

- No need to stop unit and scrape side of bowl, plus the integrated lid wipers provide easy viewing of product during processing.

### Xylex Cover with Bowl Gasket

#### Durability, ease of use

- See-through design allows continuous view of product. Bowl gasket seals in wet/moist product and prevents leaking. Large feed tube makes it easy to add ingredients while processing.

### COOLCUTTER Knives

#### Consistency, productivity

- Exclusive COOLCUTTER knives increase productivity and product consistency while minimizing product temperature rise.
- COOLCUTTER utilizes two stainless steel serrated cutting knives and two stainless steel turning knives, which force product into the cutting knives resulting in reduced processing time.

### 1500 RPM and 3000 RPM Knife Speeds

#### Performance

- Ideal speed for emulsifying and pureeing foods.

### Triple Safety Interlock

#### Safety

- Three interlocks prevent operation unless: (1) bowl is in place; (2) bowl cover is in place; and (3) lid lock arm is in place.
- Mechanical brake stops the blade in three seconds.

### User Friendly Controls

#### Ease of use

- Easy to operate OFF, LOW, HIGH and PULSE settings.

### Compact Design

#### Reduced space requirement

- Occupies minimal counter space.
- Handles are molded on both sides of housing for ease of moving unit.

### Anodized Aluminum Base with Powdercoated Top Cover

#### Durability, improved sanitation

- Easy cleanup and durable finish.
- Rubber feet on base, prevents movement.

## SPECIFICATIONS

**Motor:** 2.0 H.P.

**Electrical:** 208-240/60/3, 6.0/5.0 rated amps.

**Cord and Plug:** 3 conductor with power cord (16AWG) which is 6 feet in length with NEMA L15-20P plug.

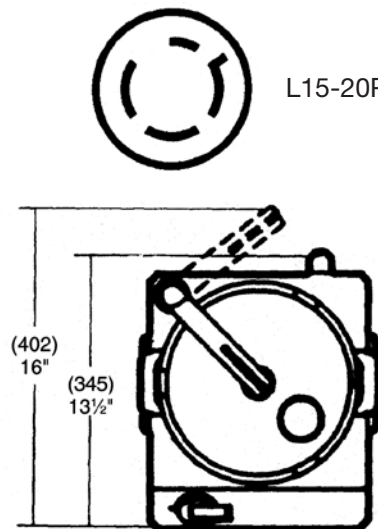
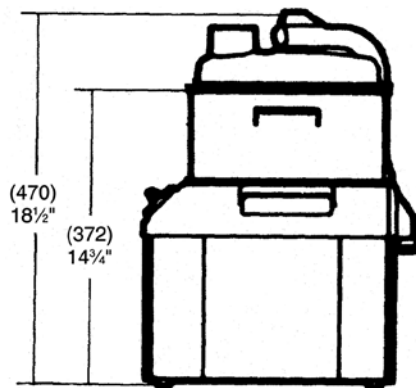
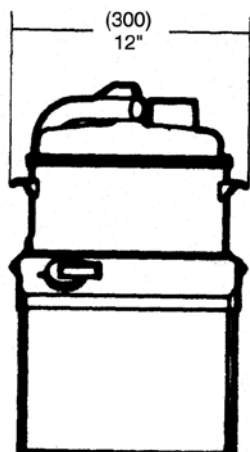
**Switch:** OFF, LOW, HIGH and PULSE switch.

**Footprint:** 12" W x 18½" H x 13½" D (16" D with safety arm swing).

**Finish:** Anodized aluminum with powdercoated top cover.

**Weight:** Net 60 lbs. Shipping: approximately 62 lbs.

## DETAILS AND DIMENSIONS



As continued product improvement is a policy of Hobart, specifications are subject to change without notice.