

 **General Information**

Project Name: \_\_\_\_\_

Consultant: \_\_\_\_\_

Item #: \_\_\_\_\_

Model #: \_\_\_\_\_

Quantity: \_\_\_\_\_



 **Specifications**

Floor/Utility Sinks are constructed of 16GA type 300 stainless steel, with integrated full-height apron and notched out front.

**FS-D** Model Standard Service/Utility Sink is 24" x 18" x 12" deep covered corner sink bowl with a built-in pitch to 2" IPS outlet.

Notched out front eliminates the need to lift heavy buckets and spillage of dirty water onto the floor.

 **Product Guide**

IMC Utility Sinks are easily cleanable without the use of tools. All corners are covered, and all seams are fully welded and polished.

Rugged type 300 series, 18-8 stainless steel construction, engineered to stand up under day-in and day-out abuse.

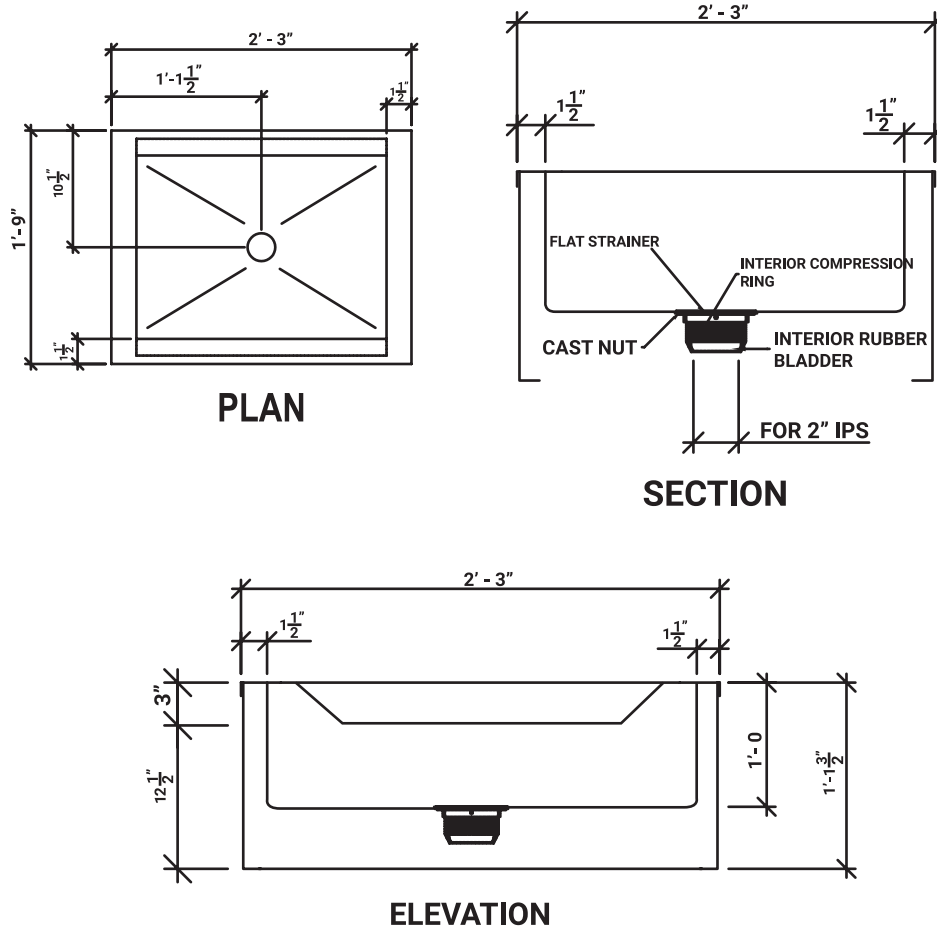
**DROP FRONT FLOOR SINK**

Model	Bowl Size (W x L x H)	Overall Size (W x L x H)
□ FS-D	24" x 18" x 12"	27" x 21" x 15½"





**DRAWINGS**



**OPTIONS**

- SSF** - Wall Faucet
- HA** - 36" Hose
- MH3** - Mop Holder (3)
- MH4** - Mop Holder (4)
- LH6** - 6" High Legs
- MSR** - Lint Bucket (Mesh Strainer)
- BW-36** - Custom Bowl up to 36" x 36"
- FL48** - 48" High Flashing at Rear or Side
- FL48-W** - Welded 48" High Flashing on 3 Sides
- RSS8** - Rear & Side Splash 8" High
- USH24** - 24" Utility Shelf
- USH36** - 36" Utility Shelf
- FFT-50** - S/S Flanged Feet (Each)
- SEC** - Correctional Package

Specifications subject to change without notice.

FS-D 30 0318