



## RNP0620

Nugget Ice Machine

RNP0620 Nugget Ice Machine

### Model

- RNP0620A     RNP0620W



### Features

- Bite sized nugget with 85% ice content offers one of the best ice to water ratios for maximum cooling and minimal drink dilution
- Up to 633 lbs (287 kgs) of daily ice production
- Perfect for beverage applications, dispensing, smoothies, and cold therapy
- Can be paired with a Multiplex beverage dispenser for an unbeatable soft drink experience
- Highload maintenance free bearings for enhanced reliability
- R290 Refrigerant is environmentally friendly with less ozone depletion compared to R404

**COMMERCIAL WARRANTY**

|  |   |   |
|--|---|---|
| <p>ICE MAKER</p> <p><b>3</b></p> <p>YEAR PARTS</p> | <p>COMPRESSOR</p> <p><b>3</b></p> <p>YEAR LABOR</p> | <p><b>5</b></p> <p>YEAR PARTS</p> <p>3 YEAR LABOR</p> |
|--|---|---|

### Specifications

- BTU per hour:**  
 Air: 10,822 (Average)  
 Water: 2,697 (Average)
- Compressor:**  
 Nominal rating: 1 HP
- Refrigerant:**  
 R290A
- Operating Limits:**
- Ambient Temperature Range: 50° -110° F (10° -43° C)
  - Water Temperature Range: 37° -90° F (3° -32° C)
  - Water Pressure Ice Maker Water In:  
 Min. 14 psi (96.5 kPa)  
 Max. 80 psi (551.1 kPa)

### Ice Machine Electric

115/60/1 standard. (230/50/1 also available.)

**Minimum circuit ampacity:**

Air-Cooled: 13.5  
 Water-Cooled: 13.5

**Maximum fuse size:**

Air-Cooled: 20 amps  
 Water-Cooled: 20 amps

HACR-type circuit breakers can be used in place of fuses.

### Ice Shape

Nugget ice consists of small pieces ranging from 3/8" to 1/2" in width and length on average. Offers a 85% ice to water ratio with a soft, chewable texture while still providing maximum cooling effect and great dispensibility.

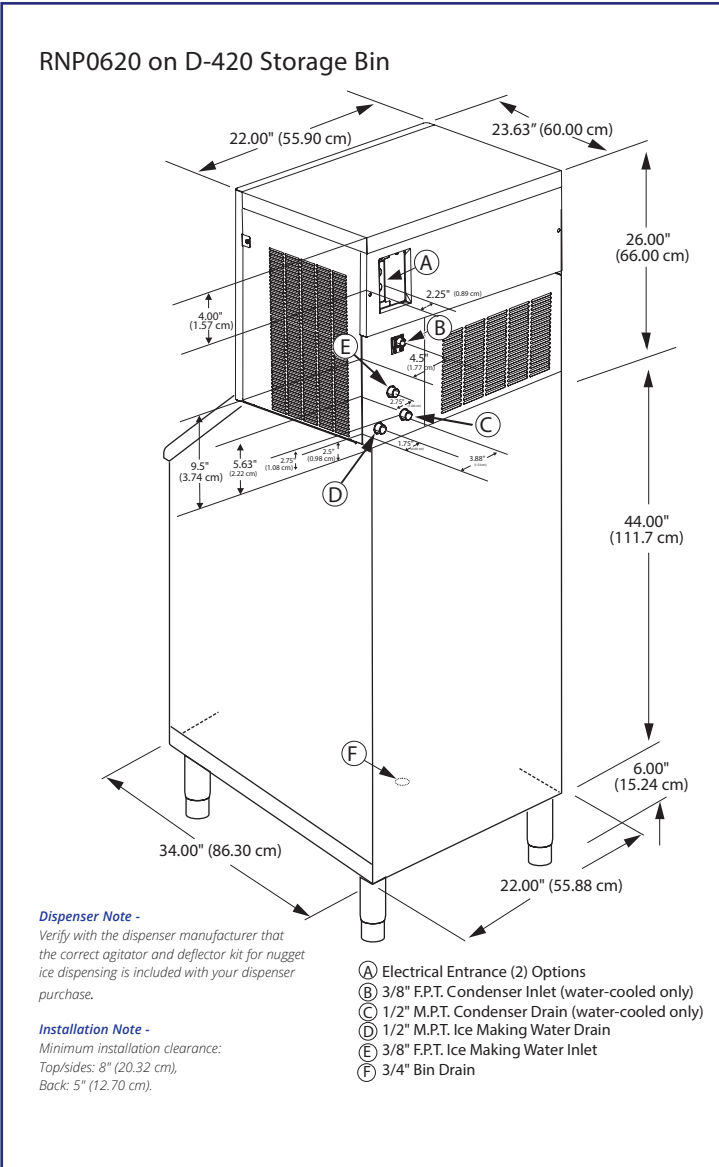


Ice shown actual size





# RNP0620 Nugget Ice Machine



## Space-Saving Designs



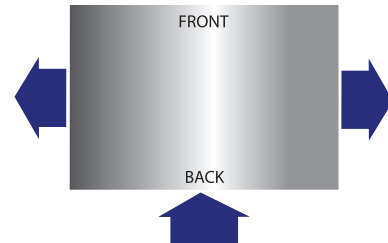
| RNP0620 on D-420 |                     |
|------------------|---------------------|
| Height           | 76.00"<br>193.00 cm |
| Width            | 22.00"<br>55.90 cm  |
| Depth            | 34.00"<br>86.36 cm  |
| Bin Storage      | 310 lbs<br>140.7 kg |

Height includes adjustable bin legs 6.00" to 7.00",  
(15.24 to 17.78 cm) set at 6.00" (15.24 cm).

## Accessories

K00472 30" D Style Bin Adapter

### Air Flow Overhead View



Air in back, out sides.

|              | Model    | Ice Shape | Ice Production 24 Hours                   |   | Power kWh/100 lbs<br>@ 90°Air/70°F | Water Usage<br>(100 lbs./45.4 kgs of Ice) |                 |
|--------------|----------|-----------|---|---|------------------------------------|---|-----------------|
|              |          |           | 70° Air/50°F Water<br>21° Air/10° C Water | 90° Air/70°F Water<br>32° Air/21° C Water |                                    | Potable Water                             | Condenser Water |
|              |          |           | Standard                                  | Standard                                  |                                    |   |                 |
| AIR-COOLED   | RNP0620A | Nugget    | 591 lbs                                   | 451 lbs                                   | 6.36                               | 12 gal                                    | —               |
|              |          |           | 268 kg                                    | 204 kg                                    |                                    | 45.4 L                                    | —               |
| WATER-COOLED | RNP0620W | Nugget    | 633 lbs                                   | 545 lbs                                   | 4.19                               | 12 gal                                    | 153 gal         |
|              |          |           | 287 kg                                    | 247 kg                                    |                                    | 45.4 L                                    | 579 L           |

Manitowoc Ice reserves the right to make changes to the design or specifications without prior notice.