



# SPA-312 • SFA-292 Ice Dispensers

Model  SPA-312

SFA-292

ADA Compliant



## SPA 312 Model

Designed for filling both ice buckets and glasses. The touch-less lever activated ice chute means the ice bucket or glass is used to dispense ice, not a hand.

Clearance from grate to bottom of the chute 9.5" (24.13 cm)



Indigo NXT iT0450 Ice Machine  
SPA-312 Ice Dispenser  
(Ice Machine and Dispenser sold separately)



Indigo NXT iT0450 Ice Machine  
SFA-292 Ice & Water Dispenser  
(Ice Machine and Dispenser sold separately)

## SFA 292 Model

Designed for filling both ice buckets and glasses with a built in Water Valve. The touch-less lever activated ice chute means the ice bucket or glass is used to dispense ice, not a hand.

Clearance from grate to bottom of chute 9.5" (24.13 cm)



SPA-312 • SFA-292 Ice Dispensers

## Standard Features

- 180 lbs. (82 kgs.) ice storage capacity. Accepts 22" (55.88 cm) or 30" (76.2 cm) wide Manitowoc ice machine.
- Only 30" (76.2 cm) wide, 32" (81.28 cm) deep, and 82" high (208.28 cm).
- The touch-less lever eliminates the need to touch a hand to the machine to dispense ice.
- Efficient built-in agitator assures 100% dispensing. Oversized drain pan collects larger quantity of ice overflow.
- DuraTech™ exterior provides superior corrosion resistance. Stainless finish with innovative clear-coat resists fingerprints and dirt.
- With Indigo and Indigo NXT ice machines you can program the ice machines to be off certain hours of the day so that while the hotel guests are sleeping, the ice machine can be too.

## Warranty

- 5-year parts and 5-year labor coverage on ice machine evaporator.
- 5-year parts and 3-year labor coverage on ice machine compressor.
- 3-year parts-and-labor coverage on all other ice machine and dispenser components.

## Ice Shape

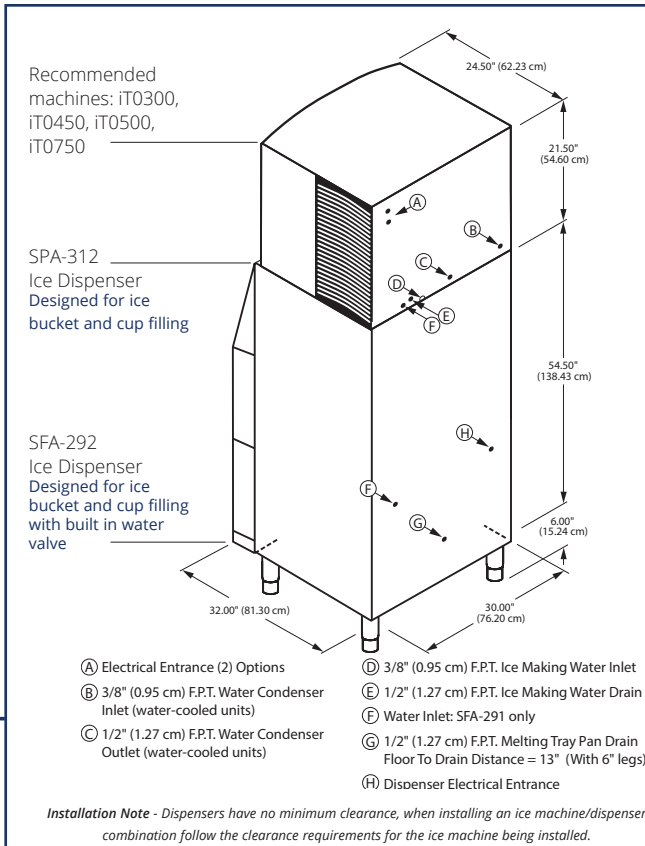


Half Dice  
3/8" x 1 1/8" x 7/8"  
(.95 x 2.86 x 2.22 cm)



Dice  
7/8" x 7/8" x 7/8"  
(2.22 x 2.22 x 2.22 cm)





### Ice Machine Electric

**Note:** Dispenser will accept single 22" or 30" wide ice machine.\* Ice machine ordered separately. Choose Dice or Half Dice cube size. Refer to ice machine specification sheet for electrical and complete AHRI standard ratings.

#### Dispenser Electric:

**SPA 312 & SFA 291 available in 115/60/1, 230/50/1 Maximum Circuit Fuse Size:**

15.0 amps. HACR-type circuit breakers can be used in place of fuses.

#### Dispenser Electrical Connection:

6' power cord, rated 125 VAC, 16-3 conductors with standard 3-prong, straight-blade, ground-type plug (NEMA configuration 5-15P).

#### Motor:

1.6 amps maximum. Permanently lubricated.

#### Service Access:

Dispenser door removes easily to access components.

#### Model Options:

SPA-312 touch-less activated lever only

SPA-292 touch-less activated lever with water valve

\*22" wide ice machines on 30" wide dispensers require K-00365 Adapter & K-00348 Baffle.

#### Series IT0300 (115 v)

Model	Ice Shape	Ice Production 24 Hours			
		70°Air/50°F Water		90°Air/70°F Water	
		lbs.	kgs.	lbs.	kgs.
IDT0300A	dice	305	138	230	104
IDT0300W	dice	305	138	258	117
IYT0300A	half-dice	310	141	230	104
IYT0300W	half-dice	310	141	260	118

#### Series iT0500 (115 volt)

Model	Ice Shape	Ice Production 24 Hours			
		70°Air/50°F Water		90°Air/70°F Water	
		lbs.	kgs.	lbs.	kgs.
IDT0500A	dice	520	236	400	181
IDT0500W	dice	500	227	400	181
IYT0500A	half-dice	550	249	440	200
IYT0500W	half-dice	535	243	460	209

#### Series iT0450 (115 volt)

Model	Ice Shape	Ice Production 24 Hours			
		70°Air/50°F Water		90°Air/70°F Water	
		lbs.	kgs.	lbs.	kgs.
IDT0450A	dice	470	213	358	162
IDT0450W	dice	430	195	360	163
IYT0450A	half-dice	490	222	378	171
IYT0450W	half-dice	470	213	420	191

#### Series IT0750 (208-230 volt)

Model	Ice Shape	Ice Production 24 Hours			
		70°Air/50°F Water		90°Air/70°F Water	
		lbs.	kgs.	lbs.	kgs.
IDT0750A	dice	632	287	490	222
IDT0750W	dice	661	300	575	261
IYT0750A	half-dice	635	288	555	252
IYT0750W	half-dice	700	318	580	263

**LuminIce® II Virus and Bacteria Inhibitor** controls viruses and bacteria inside the ice machine.



#### Arctic Pure Plus Water Filters

##### AR-Pre-P

Filters dirt, rust, and hard sediments down to 5 micron.



##### AR-10000-P

Ultra-fine filtration reduces chlorine & contaminants down to .5 microns. Use of pre-filter recommended.



Manitowoc Ice reserves the right to make changes to the design or specifications without prior notice.