

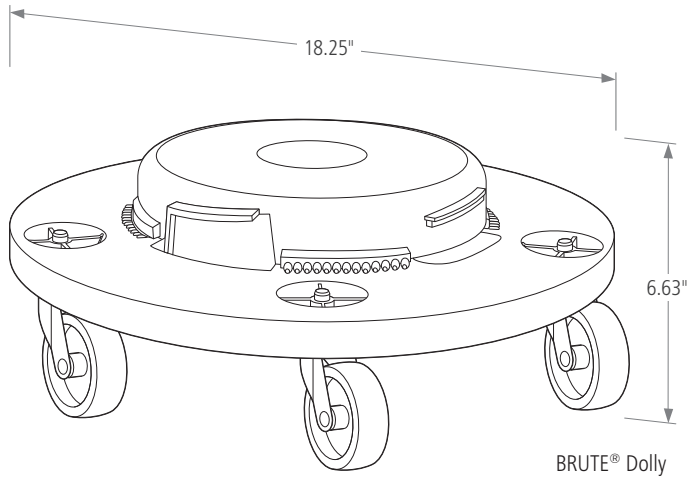
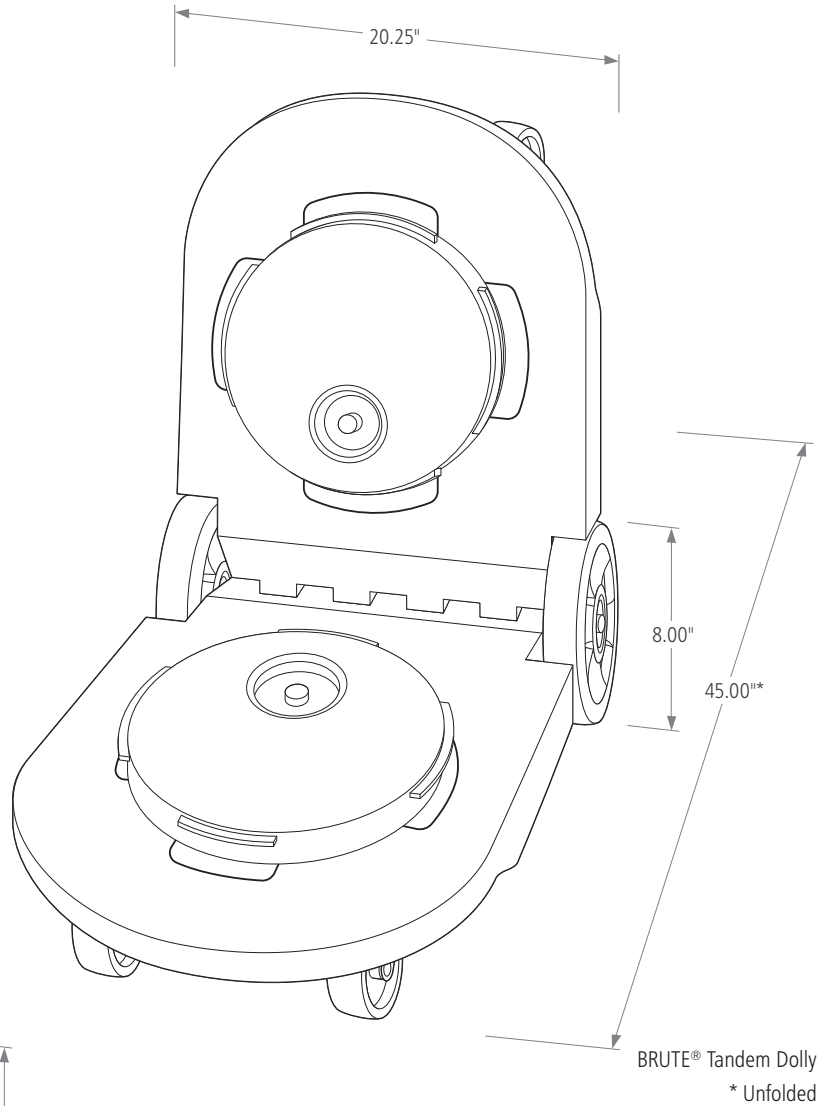


BRUTE® DOLLIES

BRUTE® dollies are designed to be durable, long-lasting, and are able to withstand the toughest commercial environments while simplifying everyday tasks.

Features and Benefits:

- Rugged casters help keep fully loaded BRUTE® containers stable, even on rough and uneven floors, and swivel smoothly for easy maneuvering
- Twist locks hold containers securely in place and unlock easily for unloading, allowing for easy transport
- Structural foam construction provides superior strength and durability



BRUTE® DOLLIES

| SKU # | DESCRIPTION | COLOR | FITS | LENGTH | WIDTH | HEIGHT | DIAMETER | PACK SIZE |
|-------------|---------------------|-------|------|--------|-------|--------|----------|-----------|
| | | | | IN | IN | IN | IN | |
| FG264000BLA | BRUTE® DOLLY | BLACK | ALL | - | - | 6.63 | 18.25 | 2 |
| FG264043BLA | BRUTE® QUIET DOLLY | BLACK | ALL | - | - | 6.63 | 18.25 | 2 |
| FG264600BLA | BRUTE® TANDEM DOLLY | BLACK | ALL | 45.00 | 20.25 | 8.00 | - | 1 |

