

TECHNICAL DATA SHEET

Carousel Tissue Dispenser

ITEM NUMBER: R3900

INSTALLATION:

Wall mounted

COLOR:

Black Pearl (TBK)

DIMENSIONS (H x W x D):

16.41" x 14.99" x 7.32" (416.8 x 380.6 x 185.9 mm)

WEIGHT:

4.35 lb (1.97 kg)

CAPACITY:

4 standard roll tissue

CORE DIAMETER:

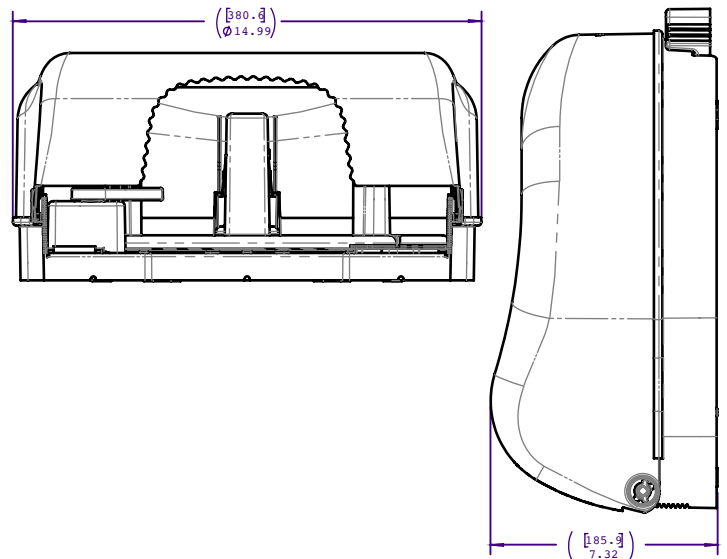
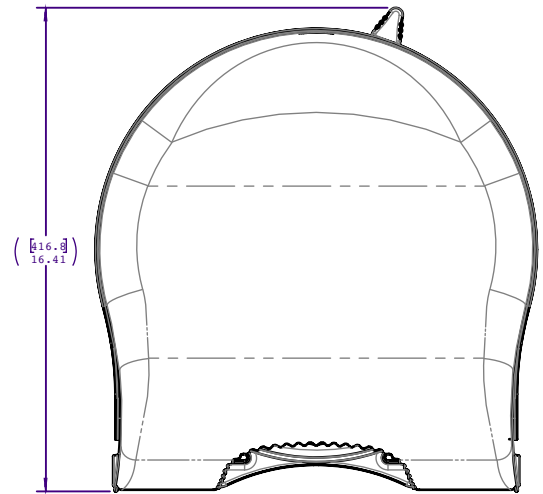
Standard core tissue

CLOSURE:

With lock

MATERIALS:

Impact-resistant plastic



San Jamar

555 Koopman Lane
Elkhorn, Wisconsin 53121
USA
T: +1.262.723.6133
F: +1.262.226.8664
info@sanjamar.com
www.sanjamar.com

Canada

3280 Bloor Street West
Suite 1140
11th Floor, Centre Tower
Toronto, ON M8X 2X3
CANADA
T: +1.262.723.6133
F: +1.262.226.8664
canada@sanjamar.com

Europe

Schoorstraat 26a, bus 1
2220 Heist-op-den-Berg
BELGIUM
T: +32 15 22 81 40
F: +32 15 22 81 48
emea@sanjamar.com

México

Av. Paseo de la Reforma No. 350 - 10
Col. Juárez
Deleg. Cuauhtemoc, CP 06600
MEXICO, D.F.
T: +52 (55) 3626 0772
mexico@sanjamar.com

