



Introducing EZ-Clean Tray Racks Trayslides Made Easier!

Someone once said, "Simplicity is the ultimate sophistication." It's with that thought in mind that Traulsen designed an innovative, yet uncomplicated approach to refrigeration interiors. Traulsen's EZ-Clean Tray Racks are pre-configured, two-piece trayslide racks that insert easily into sturdy factory-installed brackets that provide the durable tray support your busy kitchen needs.

Sized for half-sections, only two pairs are needed *per section*- making installation, replacement and removal effortless. As an added bonus, these lightweight tray racks fit easily into a 3-compartment sink or commercial dishwasher for fast, thorough sanitation. The result is a kitchen that is cleaner and more efficient than ever. Who knew simple could be so smart?

TAKE YOUR INTERIORS FROM THIS



92 Parts - 14 Pairs Universal Type Trayslides
Needed for a One Section Reach-in

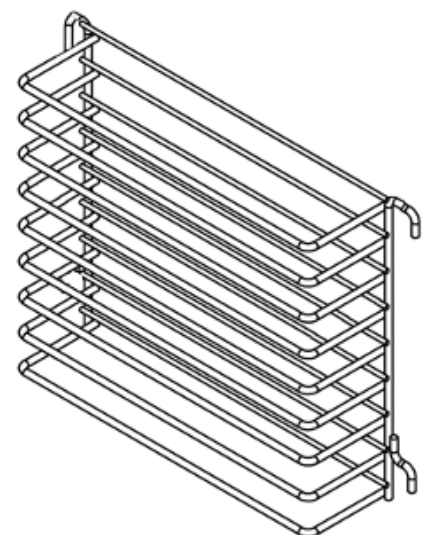
TO THIS



4 Parts - 2 Pairs EZ-Clean Tray Racks
Needed for a One Section Reach-in

Available as a spec line reach-in option or retrofit kit.
Fits (1) 18" x 26" pan, (2) 14" x 18" pans or (2) 12" x 20" pans.

DESCRIPTION (1 PAIR)	LIST PRICE
9 levels per half section, 2 ⁵ / ₈ " spacing	\$1,683
7 levels per half section, 3 ¹ / ₂ " spacing	\$1,598
6 levels per half section, 4 ¹ / ₈ " spacing	\$1,483
5 levels per half section, 5" spacing	\$1,288



Example shows 9 level rack with 2⁵/₈" spacing

- ✓ EASY TO SPECIFY
- ✓ EASY TO REMOVE

- ✓ EASY TO QUOTE
- ✓ EASY TO CLEAN

- ✓ EASY TO ORDER
- ✓ EASY TO REPLACE