



Outperform every day.™

Project:

Item Number:

Quantity:

Bench and Floor Mixers

The Vollrath Company, L.L.C.

BENCH AND FLOOR MIXERS



20 Quart



30 Quart



40 Quart



60 Quart

Bench and Floor Mixers

MODELS

Item No.	Model No.	Description
40757	MIX1020	Bench – 20 Quart (US and Canada)
40758	MIX1030	Floor – 30 Quart (US and Canada)
40759	MIX1040	Floor – 40 Quart (US and Canada)
40760	MIX1060	Floor – 60 Quart (US and Canada)

FEATURES

- Three speed belt driven
- Safety cut-switch temporarily interrupts power if gears are changed without stopping the mixer
- 30 minute timer stops the mixer when timer ends
- 60 quart model includes bowl truck for convenient bowl transport
- Meat grinder, vegetable slicer, reducer kits, and other accessories available
- Number 12 hub accommodates Vollrath brand meat grinder and vegetable slicer attachments for flexibility between grinding, slicing, and mixing. For best results, Vollrath attachments are recommended.
- Comes standard with: dough hook, wire whisk, flat beater, stainless steel mixing bowl, and safety guard
- 6 ft. (1.8 m) cord with plug

DESCRIPTION

Vollrath's line of mixers are a standard-setting advance in value: all the features, all the workhorse durability, and all the Vollrath service, reliability, and reputation in one tough range of mixers, ready to keep you mixing strong, serving long.

WARRANTY: The warranty period is 2 years on parts, 1 year on labor and 5 years on belts. For full warranty details, please refer to www.Vollrath.com.

Agency Listings



Due to continued product improvement, please consult www.vollrath.com for current product specifications.

Approvals

Date



Outperform every day.™
www.vollrath.com

The Vollrath Company, L.L.C.
1236 North 18th Street
Sheboygan, WI 53081-3201 U.S.A.
Customer Service: 800.628.0830
Canada Customer Service: 800.695.8560
Main Fax: 800.752.5620 or 920.459.6573

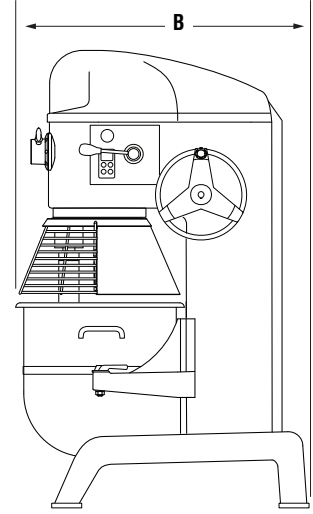
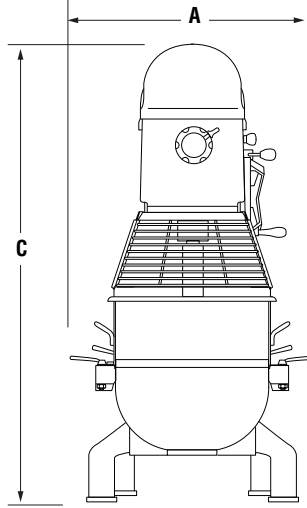
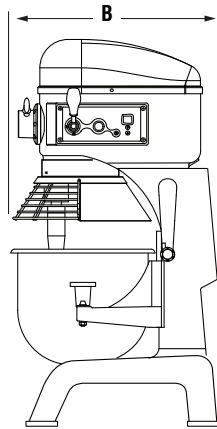
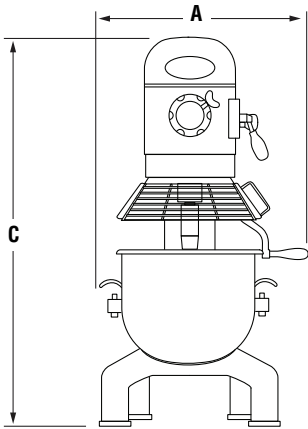
Technical Services: 800.628.0832
Technical Services Fax: 920.459.5462

BENCH AND FLOOR MIXERS

DIMENSIONS (shown in inches (cm))

20/30/40 Quart Mixer (20 Quart Mixer Shown)

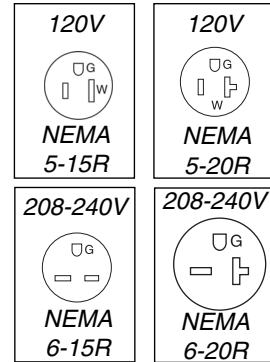
60 Quart Mixer



SPECIFICATIONS

Item No.	Style	Capacity	Dimensions			Transmission	HP	Voltage	Amps	Plug
			(A) Width	(B) Depth	(C) Height					
40757	Bench	20 Qt.	20 ³ / ₈ (51.8)	20 ³ / ₈ (51.8)	35 ⁵ / ₈ (90.5)	3 speed	1/2	110-120	10	NEMA 5-15P
40758	Floor	30 Qt.	25 (63.5)	24 1/2 (62.2)	47 ⁷ / ₈ (121.6)	3 speed	1	110-120	16	NEMA 5-20P
40759	Floor	40 Qt.	26 1/2 (67.3)	26 ⁹ / ₁₆ (67.5)	47 ⁷ / ₈ (119.7)	3 speed	1 1/2	208-240	12	NEMA 6-15P
40760	Floor	60Qt.	27 ³ / ₈ (69.5)	30 (76.2)	55 ¹³ / ₁₆ (141.5)	3 speed	2	208-240	16	NEMA 6-20P

Receptacles



Outperform every day.™

www.vollrath.com

The Vollrath Company, L.L.C.
 1236 North 18th Street
 Sheboygan, WI 53081-3201 U.S.A.
 Customer Service: 800.628.0830
 Canada Customer Service: 800.695.8560
 Main Fax: 800.752.5620 or 920.459.6573

Technical Services: 800.628.0832
 Technical Services Fax: 920.459.5462