

OVENS

VULCAN**VC5E SERIES**
SINGLE DECK ELECTRIC CONVECTION OVEN**Model VC5ED**

Shown with legs and optional casters

**SPECIFICATIONS**

Single section, electric convection oven, Vulcan Model No. (VC5ED). Stainless steel front, sides and top. Painted legs. Independently operated removable stainless doors with double pane windows. Non-sag insulation applied to top, rear, sides, bottom. Porcelain enamel on steel oven interior measures 29" w x 22 $\frac{1}{8}$ " d x 20" h. One interior oven light. Five nickel plated oven racks measure 28 $\frac{1}{4}$ " x 20 $\frac{1}{2}$ ". Eleven position nickel plated rack guides with positive rack stops. Heated by electric solid sheath elements rated at 12.0 KW. Furnished with a two speed $\frac{1}{2}$ H.P. oven blower motor. Oven cool switch for rapid cool down. 208/240V 60Hz 1 or 3 phase.

Exterior Dimensions:

40.1" w x 40" d (includes motor & door handles)

37" d (includes motor only)

54" h on 23 $\frac{3}{4}$ " legs (add 2" if on casters)

- VC5ED** Solid state temperature dial controls adjust from 150° to 500°F with digital display enhancement. 5-hour timer with audible alarm.

STANDARD FEATURES

- Independently operated removable stainless steel doors with double pane windows.
- Gentle Bake mode selector switch.
- On-board diagnostics for easy servicing
- Five nickel plated grab-and-go oven racks with eleven rack positions.
- Stainless steel front, sides and top.
- Painted legs.
- 12.5 total KW.
- $\frac{1}{2}$ H.P. two speed oven blower-motor.
- Moisture vent.
- Oven cool switch for rapid cool down.
- Porcelain enamel on steel oven interior.
- One year limited parts and labor warranty.
- Three year limited warranty on doors.

OPTIONS

- Stainless steel legs.
- Casters.
- 480V/60 Hz/1 or 3 phase.
- Second year extended limited parts and labor warranty.

ACCESSORIES

- Stainless steel rear motor enclosure.
- Extra oven rack(s).
- Rack hanger(s).
- Stainless steel drip pan.
- Stainless steel open stand with adjustable rack supports, stainless steel shelf and choice of adjustable feet or casters.
- Down draft flue diverter for direct vent connection.
- Heat shields for oven sides.

VULCAN

a division of ITW Food Equipment Group LLC

P.O. Box 696 ■ Louisville, KY 40201 ■ Toll-free: 1-800-814-2028 ■ Local: 502-778-2791 ■ Quote & Order Fax: 1-800-444-0602



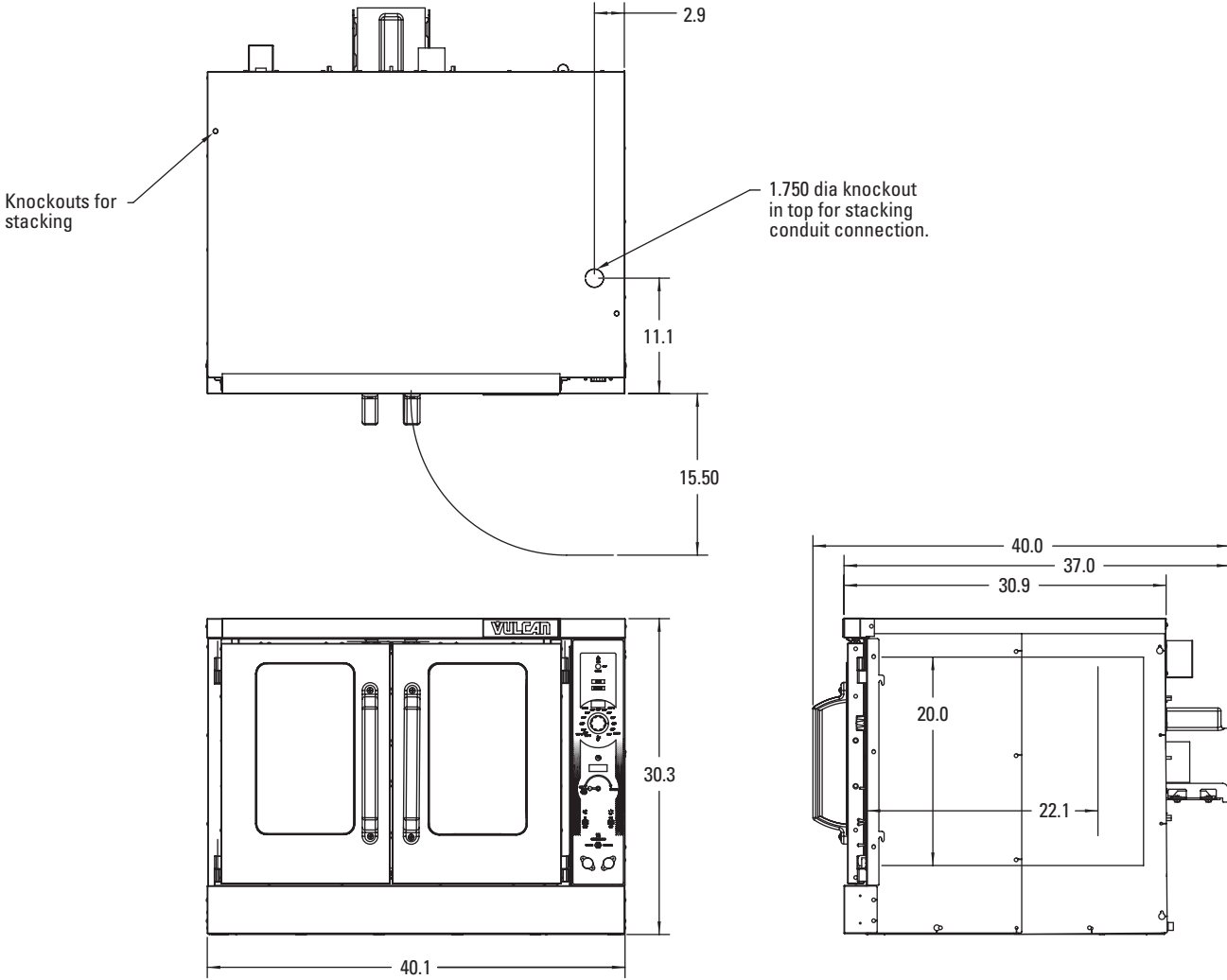
VC5E SERIES
SINGLE DECK ELECTRIC CONVECTION OVEN

OPTIONAL VOLTAGES

480 volt, 60 Hz, 3 phase.

CLEARANCES

| | Combustible | Non-Combustible |
|------------|-------------|-----------------|
| Rear | 2" | 2" |
| Right Side | 4" | 4" |
| Left Side | 1" | 1" |



| MODEL NO. | TOTAL CONN. KW | 3 PHASE LOAD KW PER PHASE | | | NOMINAL AMPS PER LINE WIRE | | | | | | | | | WEIGHT | | | | | |
|-------------|----------------|---------------------------|-----|-----|----------------------------|----|----|----------|----|----|----------|----|----|--------|------|------|-----|---------|-----|
| | | | | | 3 PHASE | | | | | | | | | | | | | 1 PHASE | |
| | | | | | 208 VOLT | | | 240 VOLT | | | 480 VOLT | | | | | | | | |
| | | X-Y | Y-Z | X-Z | X | Y | Z | X | Y | Z | X | Y | Z | 208V | 240V | LBS. | KG | LBS. | KG |
| VC5E | 12.5 | 4 | 4 | 4.5 | 35 | 33 | 35 | 33 | 29 | 33 | 14 | 15 | 15 | 60 | 52 | 337 | 153 | 286 | 130 |



a division of ITW Food Equipment Group LLC

P.O. Box 696 ■ Louisville, KY 40201 ■ Toll-free: 1-800-814-2028 ■ Local: 502-778-2791 ■ Quote & Order Fax: 1-800-444-0602

NOTE: In line with its policy to continually improve its products, Vulcan reserves the right to change materials and specifications without notice.